

# NEWPORT BRASS®



2023 PRICEBOOK

# GINGER®

# NEWPORT BRASS®

Flawless Beauty. From Faucet to Finish.™

GROUP I



26

POLISHED CHROME

01\*  
03\*\*\*  
03N\*\*  
034  
04\*  
06  
07  
08A

FOREVER BRASS (PVD)  
POLISHED BRASS COATED  
UNCOATED POL. BRASS  
AGED BRASS  
SATIN BRASS (PVD)  
ANTIQU BRASS  
ENGLISH BRONZE  
ANTIQU COPPER

10\*  
10B  
VB  
15  
15A  
15S\*  
20\*

SATIN BRONZE (PVD)  
OIL RUBBED BRONZE  
VENETIAN BRONZE  
POLISHED NICKEL  
ANTIQU NICKEL  
SATIN NICKEL (PVD)  
STAINLESS STEEL (PVD)

24\*  
24A\*  
24S\*  
26  
30  
52  
56

POLISHED GOLD (PVD)  
FRENCH GOLD (PVD)  
SATIN GOLD (PVD)  
POLISHED CHROME  
MIDNIGHT CHROME  
MATTE WHITE  
FLAT BLACK

See finish care instructions at [www.newportbrass.com](http://www.newportbrass.com)

GROUP II



01

FOREVER BRASS\* (PVD)



03N

*LIVING*  
UNCOATED POL. BRASS\*\*



04

SATIN BRASS\* (PVD)



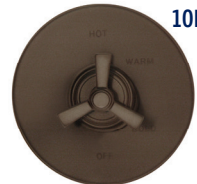
06

ANTIQU BRASS



07

ENGLISH BRONZE



10B

OIL RUBBED BRONZE



15

POLISHED NICKEL



15A

ANTIQU NICKEL



15S

SATIN NICKEL\* (PVD)



20

STAINLESS STEEL\* (PVD)



30

MIDNIGHT CHROME



52

MATTE WHITE



56

FLAT BLACK

GROUP III



08A

ANTIQU COPPER



10

SATIN BRONZE\* (PVD)



24

POLISHED GOLD\* (PVD)



24A

FRENCH GOLD\* (PVD)



24S

SATIN GOLD\* (PVD)



034

AGED BRASS



VB

VENETIAN BRONZE

BRASS PROTECH



98000

BRASS PROTECH IS EXCLUSIVELY MADE TO CLEAN, POLISH AND PROTECT NEWPORT BRASS AND BRASSTECH PRODUCTS.

\*PVD NOT AVAILABLE ON ALL PARTS

\*\*LIVING AND UNCOATED FINISHES ARE NOT WARRANTED

\*\*\*AVAILABLE ON BRASSTECH SHUT OFF VALVES & RISER PRODUCTS ONLY

# Numerical Index

## KITCHEN

ADAMS	PG <a href="#">22</a>
CHESTERFIELD	PG <a href="#">24</a>
EAST LINEAR	PG <a href="#">28</a>
EAST SQUARE	PG <a href="#">32</a>
FAIRFIELD	PG <a href="#">35</a>
GAVIN	PG <a href="#">37</a>
HEANEY	PG <a href="#">39</a>
JACOBAN	PG <a href="#">41</a>
JETER	PG <a href="#">44</a>
METROPOLE	PG <a href="#">46</a>
MUNCY	PG <a href="#">48</a>
NADYA	PG <a href="#">50</a>
SEAGER	PG <a href="#">51</a>
STRIPLING	PG <a href="#">53</a>
TAFT	PG <a href="#">55</a>
VESPERA	PG <a href="#">57</a>
ZEMORA	PG <a href="#">59</a>
PREP/BAR FAUCETS	PG <a href="#">61</a>
POT FILLERS	PG <a href="#">65</a>
WATER DISPENSERS	PG <a href="#">68</a>
KITCHEN ACCESSORIES	PG <a href="#">75</a>

## BATH

850	.SEAPORT	PG <a href="#">252</a>
890	.ALVESTON	PG <a href="#">84</a>
910/910C	.ASTOR	PG <a href="#">95</a>
920/920C	.ASTOR	PG <a href="#">95</a>
930	.CHESTERFIELD	PG <a href="#">117</a>
980	.AMISA	PG <a href="#">90</a>
990	.EAST LINEAR	PG <a href="#">138</a>
1000	.FAIRFIELD	PG <a href="#">156</a>
1020	.AMISA	PG <a href="#">90</a>
1030	.CHESTERFIELD	PG <a href="#">117</a>
1090	.ALEXANDRIA	PG <a href="#">80</a>
1200/1200C	.METROPOLE	PG <a href="#">212</a>
1220/1220C	.METROPOLE	PG <a href="#">212</a>
1230/1230C	.METROPOLE	PG <a href="#">212</a>
1400	.EAST SQUARE	PG <a href="#">148</a>
1500	.EAST LINEAR	PG <a href="#">138</a>
1600/1620	.MIRO	PG <a href="#">221</a>
1740	.BEVELLE	PG <a href="#">112</a>
1760/1770	.VICTORIA	PG <a href="#">302</a>
2040	.SECANT	PG <a href="#">258</a>
2060	.SECANT	PG <a href="#">258</a>
2400/ 2410	.AYLESBURY	PG <a href="#">104</a>
2420/ 2430	.AYLESBURY	PG <a href="#">104</a>
2440/ 2450	.SUTTON	PG <a href="#">278</a>
2460/ 2470	.JACOBAN	PG <a href="#">174</a>
2480	.PRIYA	PG <a href="#">246</a>
2490	.KEATON	PG <a href="#">187</a>

## BATH

2540	.METRO	PG <a href="#">205</a>
2550	.ITHACA	PG <a href="#">168</a>
2560/2560C	.SKYLAR	PG <a href="#">265</a>
2570	.JOFFREY	PG <a href="#">182</a>
2910	.VANDER	PG <a href="#">297</a>
2920/2930	.SLATER	PG <a href="#">272</a>
2950/2960	.SLATER	PG <a href="#">272</a>
2940/2940C	.TAFT	PG <a href="#">285</a>
2970/2980	.DORRANCE	PG <a href="#">132</a>
2990/2990C	.SKYLAR	PG <a href="#">265</a>
3100/3110	.PAVANI	PG <a href="#">240</a>
3120	.KIRSI	PG <a href="#">193</a>
3140/3150	.MALVINA	PG <a href="#">199</a>
3230/3240	.PARDEES	PG <a href="#">234</a>
3250/3260	.CLEMENS	PG <a href="#">126</a>
3270/3280	.GRIFFEY	PG <a href="#">162</a>
3290/3300	.MUNCY	PG <a href="#">228</a>
3360/3370	.MUNCY	PG <a href="#">228</a>
3320/3320C	.TOLMIN	PG <a href="#">290</a>
3330/3330C	.TOLMIN	PG <a href="#">290</a>
3380/3390	.TOLMIN	PG <a href="#">290</a>
3400/3410	.TOLMIN	PG <a href="#">290</a>

## TUB/SHOWER

BALANCE PRESSURE TRIM SETS	PG <a href="#">357</a>
BODY SPRAYS	PG <a href="#">343</a>
DECORATIVE DRAINS	PG <a href="#">324</a>
DIVERTER/FLOW CONTROL TRIM	PG <a href="#">349</a>
FREE STANDING TUB FILLERS	PG <a href="#">321</a>
HAND SHOWERS	PG <a href="#">333</a>
HAND SHOWER SETS	PG <a href="#">335</a>
SHOWER ARM/FLANGES	PG <a href="#">329</a>
SHOWERHEADS	PG <a href="#">328</a>
SHOWER PARTS	PG <a href="#">340</a>
SHOWER TRIM VALVES	PG <a href="#">348</a>
SLIDE BARS/SLIDE BARS	PG <a href="#">337</a>
WITH HANDSHOWERS	
TILE-IN DRAIN	PG <a href="#">327</a>
TUB SPOUTS	PG <a href="#">344</a>

SPECIALTY BATHROOM ACCESSORIES . . . . . PG [356](#)

TANK LEVERS . . . . . PG [361](#)

**BRASSTECH** . . . . . PG [363](#)

NEWPORT BRASS PARTS PRICE LIST . . . . . PG [379](#)

**GINGER** . . . . . PG [391](#)

GINGER PARTS PRICE LIST . . . . . PG [464](#)

NUMERICAL PARTS INDEX . . . . . PG [472](#)

TERMS & CONDITIONS/WARRANTY . . . . . PG [470](#)

ADAMS  
PG 22



3170-5103

CHESTERFIELD  
PG 24



1030-5103



9461

EAST LINEAR  
PG 28



1500-5113



1500-5103

EAST SQUARE  
PG 32



1400-5402



1400-5403

FAIRFIELD  
PG 35



9456

GAVIN  
PG 37



3210-5103

HEANEY  
PG 39



3190-5113

NEWPORT BRASS®

Kitchen

JACOBEOAN

PG [41](#)



2470-5103

2470-5303

JETER

PG [44](#)



3200-5113

METROPOLE

PG [46](#)



1200-5103

MUNCY

PG [48](#)



3290-5113

NADYA

PG [50](#)



2510-5103

SEAGER

PG [51](#)



3180-5113

STRIPLING

PG [53](#)



3310-5103

TAFT

PG [55](#)



2940-5103

VESPERA  
PG [57](#)



2500-5123

ZEMORA  
PG [59](#)



3160-5103

PREP/BAR FAUCETS  
PG [61](#)



2940-5223

POT FILLERS  
PG [65](#)



2940-5503

WATER DISPENSERS  
PG [68](#)



1200-5603

KITCHEN ACCESSORIES  
PG [75](#)



1030-5711

NEWPORT BRASS®

Kitchen

ALEXANDRIA

PG [80](#)



1090

ALVESTON

PG [84](#)



890

AMISA

PG [90](#)



980



1020

ASTOR

PG [95](#)



910C



920

AYLESBURY

PG [104](#)



2410



2420

BEVELLE

PG [112](#)



1740

CHESTERFIELD

PG [117](#)



930



1030

NEWPORT BRASS®

Bath

CLEMENS

PG [126](#)



3250

3260

DORRANCE

PG [132](#)



2970



2980

EAST LINEAR

PG [138](#)



990

1500

EAST SQUARE

PG [148](#)



1400

FAIRFIELD

PG [156](#)



1000B

GRIFFEY

PG [162](#)



3270

3280

ITHACA

PG [168](#)



2550

JACOBAN

PG [174](#)



2460

2470



JOFFREY  
PG 182



2570

KEATON  
PG 187



2490

2493

KIRSI  
PG 193



3120

MALVINA  
PG 199



3140



3150

METRO  
PG 205



2540

METROPOLE  
PG 212



1220



1200

MIRO  
PG 221



1600



1620

NEWPORT BRASS®

Bath

MUNCY

PG [228](#)



PARDEES

PG [234](#)



PAVANI

PG [240](#)



PRIYA

PG [246](#)



SEAPORT

PG [252](#)



SECANT

PG [258](#)



SKYLAR

PG [265](#)



SLATER

PG [272](#)



SUTTON

PG [278](#)



2440



2450

TAFT

PG [285](#)



2940



2940C

TOLMIN

PG [291](#)



3320



**NEW**

3390

VANDER

PG [297](#)



2910

VICTORIA

PG [302](#)



1760



1770

NEWPORT BRASS®

Bath

## FREESTANDING TUB FILLERS

PG [321](#)



930-4261

1400-4261

2480-4261

## DECORATIVE DRAINS

PG [324](#)

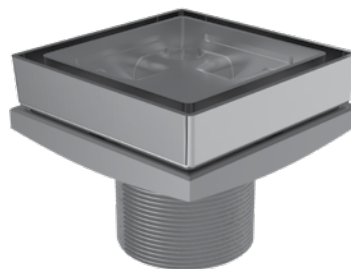


233-604

243-401

## TILE-IN DRAINS

PG [327](#)



277-04

## SHOWER ARMS/FLANGES

PG [329](#)



200

## SHOWERHEADS

PG [328](#)



2159

## HAND SHOWER

PG [333](#)



283-3

## HAND SHOWER SETS

PG [335](#)



280N

SLIDE BAR/SLIDE BARS  
WITH HANDSHOWERS

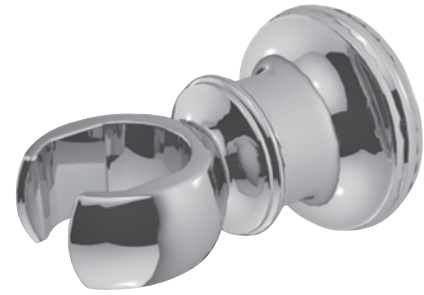
PG [337](#)



280E

SHOWER PARTS

PG [340](#)



297

BODY SPRAYS

PG [343](#)



2173

TUB SPOUTS

PG [344](#)



3-668

DIVERTER/FLOW  
CONTROL TRIM

PG [349](#)



280E

SPECIALTY BATHROOM  
ACCESSORIES

PG [356](#)



10-89

TANK LEVERS

PG [361](#)



NEWPORT BRASS.

Shower

BP TRIM SETS

PG [357](#)



3-922BP

3-924BP

BRASSTECH

PG [363](#)



GINGER

PG [391](#)



NWP PARTS & PRICE INDEX

PG [379](#)

P & P

GIN PARTS & PRICE INDEX

PG [464](#)

P & P



3190-5113/56X04

# STANDARD SPLIT FINISH PROGRAM

## HOW TO ORDER

STEP 1: Select model of choice and finish combination

STEP 2: Proper part number nomenclature for ordering purposes is

Base Part Number/Primary Finish X Accent Finish

Example: 3170-5103/26X01

See [www.newportbrass.com](http://www.newportbrass.com) for additional details

### KITCHEN FAUCETS



Adams  
3170-5103



Chesterfield  
1030-5103



East Linear  
1500-5103



East Linear  
1500-5113



East Linear  
1500-5123



East Linear  
1500-5143



East Square  
1400-5113



East Square  
1400-5143



Gavin  
3210-5103



Heaney  
3190-5113



Jacobean  
2470-5103



Jeter  
3200-5113





Metropole  
1200-5103



Muncy  
3290-5113



Muncy  
3290-5143



Muncy  
3360-5113



Nadya  
2510-5103



Seager  
3180-5113



Stripling  
3310-5103



Taft  
2940-5103



Taft  
2940-5123



Vespera  
2500-5123



Zemora  
3160-5103

#### WIDESPREAD FAUCETS



Alexandria  
1090



Alveston  
890



Amisa  
980



Amisa  
1020

# STANDARD SPLIT FINISH PROGRAM



Astaire  
1640



Astaire  
1660



Astor  
910



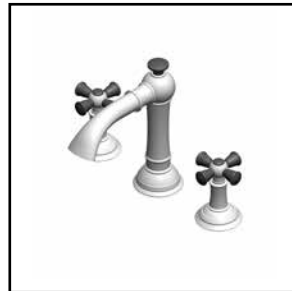
Astor  
920



Astor  
910C



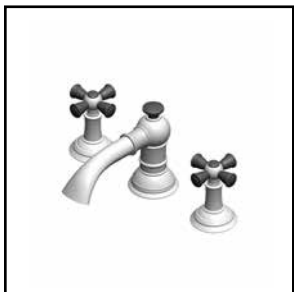
Astor  
920C



Aylesbury  
2400



Aylesbury  
2410



Aylesbury  
2420



Aylesbury  
2430



Bevelle  
1740



Chesterfield  
930



Chesterfield  
1030



Clemens  
3250



Clemens  
3260



Dorrance  
2970



Dorrance  
2980



East Linear  
990



East Linear  
990L



East Linear  
1500



East Square  
1400



East Square  
1400L



Fairfield  
1000



Griffey  
3270



Griffey  
3280



Ithaca  
2550



Jacobean  
2460



Jacobean  
2470



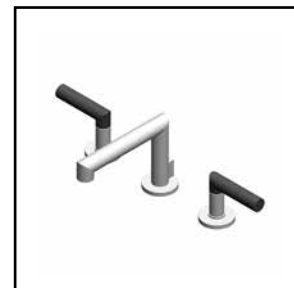
Joffrey  
2570



Keaton  
2490



Kirsi  
3120

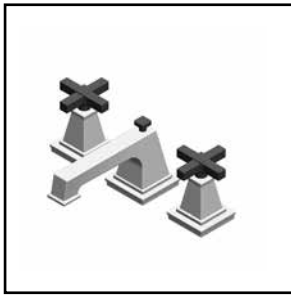


Kirsi  
3130

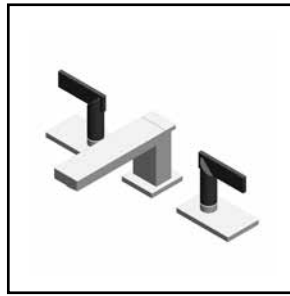
# STANDARD SPLIT FINISH PROGRAM



Malvina  
3140



Malvina  
3150



Metro  
2540



Metropole  
1200



Metropole  
1220



Metropole  
1230



Metropole  
1200C



Metropole  
1220C



Metropole  
1230C



Miro  
1600



Miro  
1620



Muncy  
3290



Muncy  
3300



Muncy  
3360



Muncy  
3370



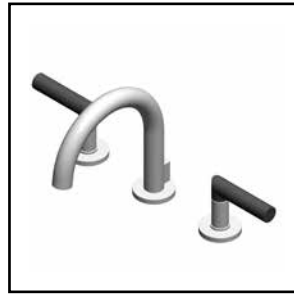
Pardees  
3230



Pardees  
3240



Pavani  
3100



Pavani  
3110



Priya  
2480



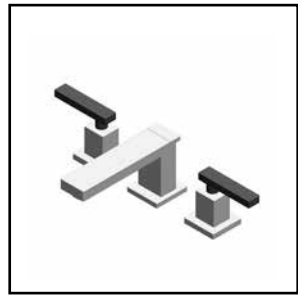
Seaport  
850



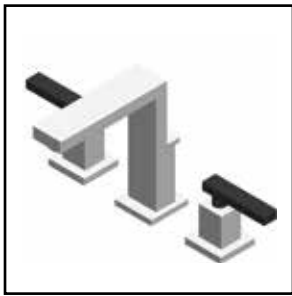
Secant  
2040



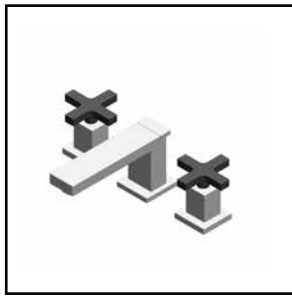
Secant  
2060



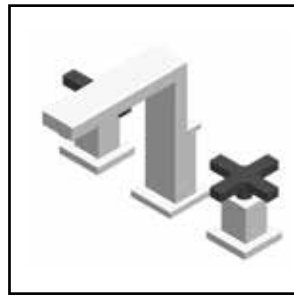
Skylar  
2560



Skylar  
2560C



Skylar  
2990



Skylar  
2990C



Slater  
2920



Slater  
2930



Slater  
2950



Slater  
2960



Sutton  
2440

# STANDARD SPLIT FINISH PROGRAM



Sutton  
2450



Taft  
2940



Taft  
2940C



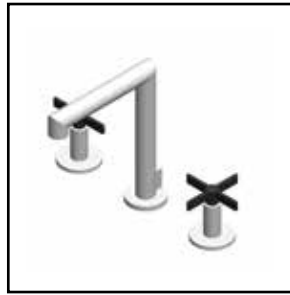
Tolmin  
3320C



Tolmin  
3330C



Tolmin  
3380



Tolmin  
3390



Tolmin  
3400



Tolmin  
3410



Vander  
2910



Victoria  
1760



Victoria  
1770

ADAMS . . . . .	PG <a href="#">22</a>
CHESTERFIELD . . . . .	PG <a href="#">24</a>
EAST LINEAR . . . . .	PG <a href="#">28</a>
EAST SQUARE . . . . .	PG <a href="#">32</a>
FAIRFIELD . . . . .	PG <a href="#">35</a>
GAVIN . . . . .	PG <a href="#">37</a>
HEANEY . . . . .	PG <a href="#">39</a>
JACOBAN . . . . .	PG <a href="#">41</a>
JETER . . . . .	PG <a href="#">44</a>
METROPOLE . . . . .	PG <a href="#">46</a>
MUNCY . . . . .	PG <a href="#">48</a>
NADYA . . . . .	PG <a href="#">50</a>
SEAGER . . . . .	PG <a href="#">51</a>
STRIPLING . . . . .	PG <a href="#">53</a>
TAFT . . . . .	PG <a href="#">55</a>
VESPERA . . . . .	PG <a href="#">57</a>
ZEMORA . . . . .	PG <a href="#">59</a>
PREP/BAR FAUCETS . . . . .	PG <a href="#">61</a>
POT FILLERS . . . . .	PG <a href="#">65</a>
WATER DISPENSERS . . . . .	PG <a href="#">68</a>
KITCHEN ACCESSORIES . . . . .	PG <a href="#">75</a>

NEWPORT BRASS®  
Kitchen

# ADAMS



KITCHEN FAUCETS | PREP/BAR FAUCET



**3170-5103** Pull-Down Kitchen Faucet \$1,242 \$1,499 \$1,730  
 10.50" (26.7cm) spout height at outlet.  
 8.57" (21.8cm) spout reach (c-c).  
 17.53" overall height.  
 1.8 gallons (6.8 liters) per minute maximum flow rate.



**3170-5203** Prep/Bar Pull-Down Faucet \$1,161 \$1,398 \$1,629  
 8.28" (21.0cm) spout height at outlet.  
 7.47" (19.0 cm) spout reach (c-c).  
 14.93" overall height.  
 1.8 gallons (6.8 liters) per minute maximum flow rate.



**3170-5503** Pot Filler - Wall Mount \$1,227 \$1,509 \$1,740  
 4.37" (11.1cm) spout downward offset from wall inlet center.  
 21.39" (54.3cm) pivoting spout reach from inlet valve (c-c).  
 3.51" (8.9cm) pivoting inlet valve offset (wall-center).  
 Two shut off valves. Twin knuckles.  
 We recommend shutting off at marked location (OFF) when not in use.



**3170-5603** Hot and Cold Water Dispenser \$713 \$864 \$986  
 6.73" (17cm) spout height at outlet.  
 4.74" (12.0 cm) spout reach (c-c).  
 HOT WATER TANK #5-036 SOLD SEPARATELY.



**3170-5623** Cold Water Dispenser \$511 \$647 \$746  
 6.73" (17cm) spout height at outlet.  
 4.74" (12.0cm) spout reach c-c.



**6-028** Universal Traditional Air Gap, Reverse Osmosis \$184 \$216 \$228



**3170-5613** Hot Water Dispenser \$628 \$793 \$916  
 6.73" (17cm) spout height at outlet.  
 4.74" (12.0cm) spout reach (c-c).  
 HOT WATER TANK #5-036 SOLD SEPARATELY.





**3180-5711** Air Gap Kit  
IAPMO UPC® listed.

\$146      \$191      \$227



**3170-5811** Soft Touch Air Activated Disposer Switch  
Plugs into a standard 120 VAC wall outlet.  
Traditional Style.

\$282      \$382      \$437



**3170-5721** Soap/Lotion Dispenser  
Requires 1-1/4" to 1-11/16" through hole.  
Accommodates 2-3/8" maximum deck thickness.

\$295      \$382      \$437

**20-373** Soap/Lotion Replacement Head  
**125-8** Soap/Lotion Pump  
**125-9** Soap/Lotion - Replacement Bottle

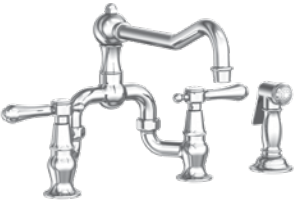







\$180      \$231      \$266  
\$55      —      —  
\$4      —      —

# CHESTERFIELD



## KITCHEN FAUCETS | PREP/BAR FAUCET

	<p><b>1030-5103</b> Pull-Down Kitchen Faucet            10.31" (26.2cm) spout height at outlet.            8.58" (21.8cm) spout reach (c-c)            17.43" overall height.            1.8 gallons (6.8 liters) per minute maximum flow rate</p>	\$1,219	\$1,472	\$1,699
	<p><b>942</b> Kitchen Faucet. Cross Handles.            5.83" (14.8cm) spout height at outlet.            9.46" (24.0 cm) spout reach (c-c).            For 8" (20.3cm) centers - maximum 20" (50.8cm).            1.8 gallons (6.8 liters) per minute maximum flow rate.</p>	\$923	\$1,290	\$1,550
	<p><b>972</b> Kitchen Faucet. Lever Handles.            5.83" (14.8cm) spout height at outlet.            9.46" (24.0 cm) spout reach (c-c).            For 8" (20.3cm) centers - maximum 20" (50.8cm).            1.8 gallons (6.8 liters) per minute maximum flow rate.</p>	\$923	\$1,290	\$1,550
	<p><b>943</b> Kitchen Faucet with Side Spray. Cross Handles.            5.56" (14.1cm) spout height at outlet.            9.49" (24.1cm) spout reach (c-c).            For 8" (20.3cm) centers - maximum 20" (50.8cm).            1.8 gallons (6.8 liters) per minute maximum flow rate.</p>	\$1,284	\$1,791	\$2,149
	<p><b>973</b> Kitchen Faucet with Side Spray. Lever Handles.            5.56" (14.1cm) spout height at outlet.            9.49" (24.1cm) spout reach (c-c).            For 8" (20.3cm) centers - maximum 20" (50.8cm).            1.8 gallons (6.8 liters) per minute maximum flow rate.</p>	\$1,284	\$1,791	\$2,149
	<p><b>9452-1</b> Kitchen Bridge Faucet with Side Spray            Swivel spout. Cross Handles.            6.52" (16.6cm) spout height at outlet.            8.51" (21.6 cm) min. to 10.38" (26.4cm) spout reach (c-c).            For 8" (20.3cm) centers - Maximum 9.62" (24.4cm).            1.8 gallons (6.8 liters) per minute maximum flow rate.</p>	\$1,805	\$2,126	\$2,552

	<b>9453-1</b>	Kitchen Bridge Faucet with Side Spray Swivel spout. Lever Handles. 6.52" (16.6cm) spout height at outlet. 8.51" (21.6 cm) min. to 10.38" (26.4cm) spout reach (c-c). For 8" (20.3cm) centers - Maximum 9.62" (24.4cm). 1.8 gallons (6.8 liters) per minute maximum flow rate.	\$1,805	\$2,126	\$2,552
	<b>9457</b>	Kitchen Bridge Faucet C-spout. Lever Handles. 9" (22.8cm) spout height at outlet. 9" (22.8cm) spout reach (c-c). For 8" (20.3cm) centers. 1.8 gallons (6.8 liters) per minute maximum flow rate.	\$1,318	\$1,778	\$2,042
	<b>9458</b>	Kitchen Bridge Faucet with Side Spray C-spout. Lever Handles. 9" (22.8cm) spout height at outlet. 9" (22.8cm) spout reach (c-c). For 8" (20.3cm) centers. 1.8 gallons (6.8 liters) per minute maximum flow rate.	\$1,973	\$2,621	\$3,061
	<b>9459</b>	Kitchen Bridge Faucet with Side Spray C-spout. Lever Handles. 9" (22.8cm) spout height at outlet. 7.12" (18.1cm) min to 9" (22.8cm) max spout reach (c-c). For 8" (20.3cm) centers - Maximum 9.62" (24.4cm). 1.8 gallons (6.8 liters) per minute maximum flow rate.	\$1,973	\$2,621	\$3,061
	<b>9460</b>	Kitchen Bridge Faucet with Side Spray C-spout. Cross Handles. 9" (22.8cm) spout height at outlet. 7.12" (18.1cm) min to 9" (22.8cm) max spout reach (c-c). For 8" (20.3cm) centers - Maximum 9.62" (24.4cm). 1.8 gallons (6.8 liters) per minute maximum flow rate.	\$1,973	\$2,621	\$3,061
	<b>9461</b>	Kitchen Bridge Faucet Swivel Spout. Lever Handles. 6.38" (16.2cm) spout height at outlet. 9.46" (24.0cm) spout reach (c-c). For 8" (20.3cm) centers. 1.8 gallons (6.8 liters) per minute maximum flow rate.	\$941	\$1,320	\$1,584
	<b>9462</b>	Kitchen Bridge Faucet with Side Spray Swivel Spout. Lever Handles. 6.38" (16.2cm) spout height at outlet. 9.46" (24.0cm) spout reach (c-c). For 8" (20.3cm) centers. 1.8 gallons (6.8 liters) per minute maximum flow rate.	\$1,709	\$2,014	\$2,415
	<b>9463</b>	Kitchen Bridge Faucet C-spout. Lever Handles. 9" (22.8cm) spout height at outlet. 7.12" (18.1cm) min to 9" (22.8cm) max spout reach (c-c). For 8" (20.3cm) centers - Maximum 9.62" (24.4cm). 1.8 gallons (6.8 liters) per minute maximum flow rate.	\$1,318	\$1,778	\$2,042



**9464** Kitchen Bridge Faucet \$1,318 \$1,778 \$2,042  
 C-spout. Cross Handles.  
 9" (22.8cm) spout height at outlet.  
 7.12" (18.1cm) min to 9" (22.8cm) max spout reach (c-c).  
 For 8" (20.3cm) centers - Maximum 9.62" (24.4cm).  
 1.8 gallons (6.8 liters) per minute maximum flow rate.

**NEW**



**1030-5462** Kitchen Bridge Pull-Down Faucet \$1,480 \$1,998 \$2,297  
 C-spout. Cross Handles.  
 8.28" (21.0cm) spout height at outlet.  
 8.58" (21.8cm) spout reach (c-c).  
 For 8" (20.3cm) centers.  
 1.8 gallons (6.8 liters) per minute maximum flow rate.

**NEW**



**1030-5463** Kitchen Bridge Pull-Down Faucet \$1,480 \$1,998 \$2,297  
 C-spout. Lever Handles.  
 8.28" (21.0cm) spout height at outlet.  
 8.58" (21.8cm) spout reach (c-c).  
 For 8" (20.3cm) centers.  
 1.8 gallons (6.8 liters) per minute maximum flow rate.



**1030-5223** Prep/Bar Pull Down Faucet \$1,140 \$1,372 \$1,600  
 8.18" (20.8cm) spout height at outlet.  
 7.47" (19.0cm) spout reach (c-c).  
 14.83" overall height.  
 1.8 gallons (6.8 liters) per minute maximum flow rate.



**928** Prep/Bar Faucet \$896 \$1,185 \$1,376  
 8.37" (21.3cm) spout height at outlet.  
 5.27" (13.4cm) spout reach (c-c).  
 11.68" overall height.  
 1.8 gallons (6.8 liters) per minute maximum flow rate.



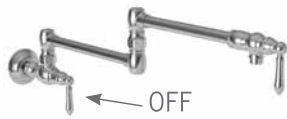
**938** Prep/Bar Faucet \$943 \$1,248 \$1,450  
 5.23" (13.3cm) spout height at outlet.  
 6.95" (17.7cm) spout reach (c-c).  
 7.97" overall height.  
 1.8 gallons (6.8 liters) per minute maximum flow rate.



**1038** Prep/Bar Faucet \$896 \$1,185 \$1,376  
 10" (25.4cm) spout height at outlet.  
 5.27" (13.4cm) spout reach (c-c).  
 13.31" overall height.  
 1.8 gallons (6.8 liters) per minute maximum flow rate.



**9281** Prep/Bar Faucet \$896 \$1,185 \$1,376  
 10" (25.4cm) spout height at outlet.  
 5.27" (13.4cm) spout reach (c-c).  
 13.31" overall height.  
 1.8 gallons (6.8 liters) per minute maximum flow rate.



**1030-5503** Pot Filler - Wall Mount \$1,227 \$1,509 \$1,740  
 4.57" (11.6cm) spout downward offset from the wall inlet center.  
 21.19" (53.8cm) pivoting spout reach from inlet valve (c-c).  
 3.51" (8.9cm) pivoting inlet valve offset (wall-center).  
 Two shut off valves. Twin knuckles.  
 We recommend shutting off at marked location (OFF) when not in use.



**1030-5603** Hot and Cold Water Dispenser \$713 \$864 \$986  
 6.57" (16.7cm) spout height at outlet.  
 4.8" (12.2cm) spout reach (c-c).  
 HOT WATER TANK #5-036 SOLD SEPARATELY



**1030-5623** Cold Water Dispenser \$511 \$647 \$746  
 6.57" (16.7cm) spout height at outlet.  
 4.8" (12.2cm) spout reach (c-c).



**6-028** Universal Traditional Air Gap, Reverse Osmosis \$184 \$216 \$228



**1030-5613** Hot Water Dispenser \$628 \$793 \$916  
 6.57" (16.7cm) spout height at outlet.  
 4.8" (12.2cm) spout reach (c-c).  
 WATER TANK #5-036 SOLD SEPARATELY.



**1030-5711** Air Gap Kit \$146 \$191 \$227  
 IAPMO UPC® listed.



**2470-5811** Soft Touch Air Activated Disposer Switch \$282 \$382 \$437  
 Plugs into a standard 120 VAC wall outlet.  
 Traditional Style



**1030-5721** Soap/Lotion Dispenser \$295 \$382 \$437  
 Requires 1-1/4" to 1-11/16" through hole.  
 Accommodates 2-3/8" maximum deck thickness.









**20-374** Soap/Lotion Replacement Head \$180 \$231 \$266  
**125-8** Soap/Lotion Pump \$55 — —  
**125-9** Soap/Lotion - Replacement Bottle \$4 — —

# EAST LINEAR



## PULL DOWN FAUCETS | KITCHEN FAUCETS | PREP/BAR FAUCETS

	<p><b>1500-5103</b> Pull-Down Kitchen Faucet Large Spray Head 9.15" (23.2cm) spout height at outlet. 8.58" (21.8cm) spout reach (c-c). 16.28" overall height. 1.8 gallons (6.8 liters) per minute maximum flow rate.</p>	\$1,129	\$1,426	\$1,646
	<p><b>1500-5113</b> Pull-Down Kitchen Faucet Small Spray Head. 9.60" (24.4cm) spout height at outlet. 8.52" (21.6cm) spout reach (c-c). 16.28" overall height. 1.8 gallons (6.8 liters) per minute maximum flow rate.</p>	\$1,129	\$1,426	\$1,646
	<p><b>1500-5123</b> Pull-Down Kitchen Faucet 2-hole install, separate single handle. 10.43" (26.5cm) spout height at outlet. 9.25" (23.5cm) spout reach (c-c) 16.59" overall height. 1.8 gallons (6.8 liters) per minute maximum flow rate.</p>	\$1,129	\$1,426	\$1,646
	<p><b>1500-5143</b> Pull-Down Kitchen Faucet Slim body. 10.06" (25.5cm) spout height at outlet. 8.52" (21.6cm) spout reach (c-c) 16.74" overall height. 1.8 gallons (6.8 liters) per minute maximum flow rate.</p>	\$1,129	\$1,426	\$1,646
	<p><b>1500-5402</b> Kitchen Bridge Faucet Cross Handles. 8.32" (21.1cm) spout height at outlet. 9.30" (23.6cm) spout reach (c-c). For 8" (20.3cm) centers. 1.8 gallons (6.8 liters) per minute maximum flow rate.</p>	\$1,449	\$1,955	\$2,246
	<p><b>1500-5412</b> Kitchen Bridge Faucet w/Side Spray Cross Handles. 8.32" (21.1cm) spout height at outlet. 9.30" (23.6cm) spout reach (c-c). For 8" (20.3cm) centers. 1.8 gallons (6.8 liters) per minute maximum flow rate.</p>	\$2,170	\$2,882	\$3,365

	<b>1500-5403</b> Kitchen Bridge Faucet Lever Handles. 8.32" (21.1cm) spout height at outlet. 9.30" (23.6cm) spout reach (c-c). For 8" (20.3cm) centers. 1.8 gallons (6.8 liters) per minute maximum flow rate.	\$1,449	\$1,955	\$2,246
	<b>1500-5413</b> Kitchen Bridge Faucet w/Side Spray Lever Handles. 8.32" (21.1cm) spout height at outlet. 9.30" (23.6cm) spout reach (c-c). For 8" (20.3cm) centers. 1.8 gallons (6.8 liters) per minute maximum flow rate.	\$2,170	\$2,882	\$3,365
<b>NEW</b> 	<b>1500-5462</b> Kitchen Bridge Pull-Down Faucet Cross Handles. 10.01" (25.4cm) spout height at outlet. 8.52" (21.6cm) spout reach (c-c). For 8" (20.3cm) centers. 1.8 gallons (6.8 liters) per minute maximum flow rate.	\$1,480	\$1,998	\$2,297
<b>NEW</b> 	<b>1500-5463</b> Kitchen Bridge Pull-Down Faucet Lever Handles. 10.01" (25.4cm) spout height at outlet. 8.52" (21.6cm) spout reach (c-c). For 8" (20.3cm) centers. 1.8 gallons (6.8 liters) per minute maximum flow rate.	\$1,480	\$1,998	\$2,297
	<b>9901</b> Kitchen Faucet Cross Handles. Swivel spout. 5.70" (14.5cm) spout height at outlet. 7.88" (20.0cm) spout reach (c-c). For 8" (20.3cm) centers - maximum 20" (50.8cm). 1.8 gallons (6.8 liters) per minute maximum flow rate.	\$1,219	\$1,645	\$1,972
	<b>9901L</b> Kitchen Faucet Lever Handles. Swivel spout. 5.70" (14.5cm) spout height at outlet. 7.88" (20.0cm) spout reach (c-c). For 8" (20.3cm) centers - maximum 20" (50.8cm). 1.8 gallons (6.8 liters) per minute maximum flow rate.	\$1,219	\$1,645	\$1,972
	<b>9911</b> Kitchen Faucet with Side Spray Cross Handles. Swivel spout. 5.70" (14.5cm) spout height at outlet. 7.88" (20.0cm) spout reach (c-c). For 8" (20.3cm) centers - maximum 20" (50.8cm). 1.8 gallons (6.8 liters) per minute maximum flow rate.	\$1,576	\$2,126	\$2,552
	<b>9911L</b> Kitchen Faucet with Side Spray Lever Handles. Swivel spout. 5.70" (14.5cm) spout height at outlet. 7.88" (20.0cm) spout reach (c-c). For 8" (20.3cm) centers - maximum 20" (50.8cm). 1.8 gallons (6.8 liters) per minute maximum flow rate.	\$1,576	\$2,126	\$2,552

	<b>1500-5203</b>	Prep/Bar Faucet 7.01" (17.8cm) spout height at outlet. 7.47" (19.0cm) spout reach (c-c). 13.66" overall height. 1.8 gallons (6.8 liters) per minute maximum flow rate.	\$1,058	\$1,331	\$1,551
	<b>1500-5223</b>	Prep/Bar Faucet 7.46" (18.9cm) spout height at outlet. 7.41" (18.8cm) spout reach (c-c). 13.67" overall height. 1.8 gallons (6.8 liters) per minute maximum flow rate.	\$1,058	\$1,331	\$1,551
	<b>1508</b>	Prep/Bar Faucet 7.92" (20.1cm) spout height at outlet. 4.03" (10.2cm) spout reach (c-c). 13.10" overall height. 1.2 gallons (4.5 liters) per minute maximum flow rate. Drains not included. For lavatory sink drains, see Brasstech # 330, 3301, 3302, or 3303. For bar sink drains, see #130 and 131.	\$987	\$1,329	\$1,594
	<b>2008</b>	Prep/Bar Faucet 7.42" (18.8cm) spout height at outlet. 7.13" (18.1cm) spout reach (c-c). 12.98" overall height. 1.8 gallons (6.8 liters) per minute maximum flow rate.	\$933	\$1,236	\$1,433
	<b>106</b>	Hot and Cold Water Dispenser 6.28" (16cm) spout height at outlet. 4" (10.2cm) spout reach (c-c).  HOT WATER TANK #5-036 SOLD SEPARATELY.	\$653	\$776	\$895
	<b>106C</b>	Cold Water Dispenser 6.28" (16cm) spout height at outlet. 4" (10.2cm) spout reach (c-c).	\$412	\$500	\$553
	<b>6-027</b>	Universal Contemporary Air Gap, Reverse Osmosis	\$184	\$216	\$228
	<b>106H</b>	Hot Water Dispenser 6.28" (16cm) spout height at outlet. 4" (10.2cm) spout reach (c-c).  HOT WATER TANK #5-036 SOLD SEPARATELY.	\$564	\$685	\$790
	<b>100</b>	Air Gap Kit IAPMO UPC® listed.	\$55	\$69	\$83





**1500-5811** Soft Touch Air Activated Disposer Switch  
Plugs into a standard 120 VAC wall outlet.  
Contemporary Style.

\$282      \$382      \$437



**1500-5721** Soap/Lotion Dispenser  
Requires 1-1/4" to 1-11/16" through hole.  
Accommodates 2-3/8" maximum deck thickness.

\$295      \$382      \$437

**20-373** Soap/Lotion Replacement Head  
**125-8** Soap/Lotion Pump  
**125-9** Soap/Lotion - Replacement Bottle

\$180      \$231      \$266  
\$55      —      —  
\$4      —      —

# EAST SQUARE



## KITCHEN FAUCETS | PREP/BAR FAUCETS



**1400-5113** Pull-Down Kitchen Faucet \$1,172 \$1,415 \$1,633  
 10.36" (26.3cm) spout height at outlet.  
 8.27" (21 cm) spout reach (c-c).  
 15.91" overall height.  
 1.8 gallons (6.8 liters) per minute maximum flow rate.

**NEW**



**1400-5143** Pull-Down Kitchen Faucet \$1,129 \$1,359 \$1,568  
 11.10" (28.2cm) spout height at outlet.  
 8.27" (21 cm) spout reach (c-c).  
 16.65" overall height.  
 1.8 gallons (6.8 liters) per minute maximum flow rate.



**1400-5402** Kitchen Bridge Faucet, Cross Handles \$1,449 \$1,955 \$2,246  
 11.21" (21.2cm) spout height at outlet.  
 9" (22.8cm) spout reach (c-c).  
 For 8" (20.3cm) centers.  
 1.8 gallons (6.8 liters) per minute maximum flow rate.



**1400-5412** Kitchen Bridge Faucet with Side Spray \$2,170 \$2,882 \$3,365  
 Cross Handles.  
 11.21" (21.2cm) spout height at outlet.  
 9" (22.8cm) spout reach (c-c).  
 For 8" (20.3cm) centers.  
 1.8 gallons (6.8 liters) per minute maximum flow rate.



**1400-5403** Kitchen Bridge Faucet, Lever Handles \$1,449 \$1,955 \$2,246  
 11.21" (21.2cm) spout height at outlet.  
 9" (22.8cm) spout reach (c-c).  
 For 8" (20.3cm) centers.  
 1.8 gallons (6.8 liters) per minute maximum flow rate.



**1400-5413** Kitchen Bridge Faucet with Side Spray \$2,170 \$2,882 \$3,365  
 Lever Handles.  
 11.21" (21.2cm) spout height at outlet.  
 9" (22.8cm) spout reach (c-c).  
 For 8" (20.3cm) centers.  
 1.8 gallons (6.8 liters) per minute maximum flow rate.

<b>NEW</b>		<b>1400-5462</b> Kitchen Bridge Pull-Down Faucet Cross Handles. 8.78" (22.3cm) spout height at outlet. 8.27" (21.0cm) spout reach (c-c). For 8" (20.3cm) centers. 1.8 gallons (6.8 liters) per minute maximum flow rate.	\$1,480	\$1,998	\$2,297
<b>NEW</b>		<b>1400-5463</b> Kitchen Bridge Pull-Down Faucet Lever Handles. 8.78" (22.3cm) spout height at outlet. 8.27" (21.0cm) spout reach (c-c). For 8" (20.3cm) centers. 1.8 gallons (6.8 liters) per minute maximum flow rate.	\$1,480	\$1,998	\$2,297
		<b>2007</b> Prep/Bar Faucet 7.41" (18.8cm) spout height at outlet. 6.13" (15.6cm) spout reach (c-c). 10.91" overall height. 1.8 gallons (6.8 liters) per minute maximum flow rate. Matches East Square Series.	\$933	\$1,236	\$1,433
		<b>106</b> Hot and Cold Water Dispenser 6.28" (16cm) spout height at outlet. 4" (10.2cm) spout reach (c-c). HOT WATER TANK #5-036 SOLD SEPARATELY.	\$653	\$776	\$895
		<b>106C</b> Cold Water Dispenser 6.28" (16cm) spout height at outlet. 4" (10.2cm) spout reach (c-c).	\$412	\$500	\$553
		<b>6-027</b> Universal Contemporary Air Gap, Reverse Osmosis	\$184	\$216	\$228
		<b>106H</b> Hot Water Dispenser 6.28" (16cm) spout height at outlet. 4" (10.2cm) spout reach (c-c). HOT WATER TANK #5-036 SOLD SEPARATELY.	\$564	\$685	\$790
		<b>100</b> Air Gap Kit IAPMO UPC® listed.	\$55	\$69	\$83
		<b>1500-5811</b> Soft Touch Air Activated Disposer Switch Plugs into a standard 120 VAC wall outlet. Contemporary Style.	\$282	\$382	\$437



<b>1500-5721</b>	Soap/Lotion Dispenser Requires 1-1/4" to 1-11/16" through hole. Accommodates 2-3/8" maximum deck thickness.	\$295	\$382	\$437
<b>20-373</b>	Soap/Lotion Replacement Head	\$180	\$231	\$266
<b>125-8</b>	Soap/Lotion Pump	\$55	—	—
<b>125-9</b>	Soap/Lotion - Replacement Bottle	\$4	—	—

# FAIRFIELD



## KITCHEN BRIDGE FAUCETS | KITCHEN FAUCETS | PREP/BAR FAUCET

	945	<p>Kitchen Bridge Faucet Swivel spout. 6.38" (16.2cm) spout height at outlet. 9.46" (24.0cm) spout reach (c-c). For 8" (20.3cm) centers. 1.8 gallons (6.8 liters) per minute maximum flow rate.</p>	\$994	\$1,392	\$1,674
	945-1	<p>Kitchen Bridge Faucet with Side Spray Swivel spout. 6.38" (16.2cm) spout height at outlet. 9.46" (24.0cm) spout reach (c-c). For 8" (20.3cm) centers. 1.8 gallons (6.8 liters) per minute maximum flow rate.</p>	\$1,805	\$2,126	\$2,552
	9455	<p>Kitchen Bridge Faucet C-spout. Cross Handles. 9" (22.8cm) spout height at outlet. 9" (22.8cm) spout reach (c-c). For 8" (20.3cm) centers. 1.8 gallons (6.8 liters) per minute maximum flow rate.</p>	\$1,318	\$1,778	\$2,042
	9456	<p>Kitchen Bridge Faucet with Side Spray C-spout. Cross Handles. 9" (22.8cm) spout height at outlet. 9" (22.8cm) spout reach (c-c). For 8" (20.3cm) centers. 1.8 gallons (6.8 liters) per minute maximum flow rate.</p>	\$1,973	\$2,621	\$3,061
	946	<p>Kitchen Faucet with Side Spray 5.56" (14.1cm) spout height at outlet. 9.49" (24.1cm) spout reach (c-c). For 8" (20.3cm) centers - maximum 20" (50.8cm). 1.8 gallons (6.8 liters) per minute maximum flow rate.</p>	\$1,284	\$1,791	\$2,149
	9451	<p>Kitchen Bridge Faucet Swivel spout. 6.52" (16.6cm) spout height at outlet. 8.51" (21.6cm) min to 10.38" (26.4cm) max. spout reach (c-c). For 8" (20.3) centers - maximum 9.62" (24.4cm). 1.8 gallons (6.8 liters) per minute maximum flow rate.</p>	\$1,049	\$1,457	\$1,748

	<b>9451-1</b>	Kitchen Bridge Faucet with Side Spray Swivel spout. 6.52" (16.6cm) spout height at outlet. 8.51" (21.6cm) min to 10.38" (26.4cm) max. spout reach (c-c). For 8" (20.3) centers - maximum 9.62" (24.4cm). 1.8 gallons (6.8 liters) per minute maximum flow rate.	\$1,805	\$2,126	\$2,552
	<b>1008</b>	Prep/Bar Faucet 7.12" (18.1cm) spout height at outlet. 8.45" (21.4cm) spout reach (c-c). 11.01" overall height. 1.8 gallons (6.8 liters) per minute maximum flow rate.	\$943	\$1,248	\$1,450
	<b>108</b>	Hot and Cold Water Dispenser 5.82" (14.8cm) spout height at outlet. 5.18" (13.2cm) spout reach (c-c).  HOT WATER TANK #5-036 SOLD SEPARATELY.	\$691	\$822	\$946
	<b>108C</b>	Cold Water Dispenser 5.82" (14.8cm) spout height at outlet. 5.18" (13.2cm) spout reach (c-c).	\$415	\$517	\$586
	<b>6-028</b>	Universal Traditional Air Gap, Reverse Osmosis	\$184	\$216	\$228
	<b>108H</b>	Hot Water Dispenser 5.82" (14.8cm) spout height at outlet. 5.18" (13.2cm) spout reach (c-c).  HOT WATER TANK #5-036 SOLD SEPARATELY.	\$596	\$758	\$872
	<b>1030-5711</b>	Air Gap Kit IAPMO UPC® listed.	\$146	\$191	\$227
	<b>127</b>	Soap/Lotion Dispenser Requires 1-1/4" to 1-11/16" through hole. Accommodates 2-1/4" maximum deck thickness.	\$226	\$290	\$345
	<b>127-6</b>	Soap/Lotion Replacement Head with Pump	\$152	\$193	\$218
	<b>50931</b>	Soap/Lotion Pump	\$27	—	—
	<b>125-9</b>	Soap/Lotion - Replacement Bottle	\$4	—	—

# GAVIN



KITCHEN FAUCETS | PREP/BAR FAUCET

	<p><b>3210-5103</b> Pull-Down Kitchen Faucet                      10.37" (26.4cm) spout height at outlet.                      8.58" (21.8cm) spout reach (c-c).                      17.49" overall height.                      1.8 gallons (6.8 liters) per minute maximum flow rate</p>	\$1,242	\$1,499	\$1,730
	<p><b>3210-5203</b> Prep/Bar Pull-Down Faucet                      8.24" (20.9cm) spout height at outlet.                      7.47" (19.0 cm) spout reach (c-c).                      14.89" overall height.                      1.8 gallons (6.8 liters) per minute maximum flow rate.</p>	\$1,161	\$1,398	\$1,629
	<p><b>3210-5503</b> Pot Filler - Wall Mount                      4.37" (11.1cm) spout downward offset from wall inlet center.                      21.39" (54.3cm) pivoting spout reach from inlet valve (c-c).                      3.51" (8.9cm) pivoting inlet valve offset (wall-center).                      Two shut off valves. Twin knuckles.                      We recommend shutting off at marked location (OFF) when not in use.</p>	\$1,227	\$1,509	\$1,740
	<p><b>3210-5603</b> Hot and Cold Water Dispenser                      6.73" (17cm) spout height at outlet.                      4.74" (12.0 cm) spout reach (c-c).                       HOT WATER TANK #5-036 SOLD SEPARATELY.</p>	\$713	\$864	\$986
	<p><b>3210-5623</b> Cold Water Dispenser                      6.73" (17cm) spout height at outlet.                      4.74" (12.0cm) spout reach (c-c).</p>	\$511	\$647	\$746
	<p><b>6-028</b> Universal Traditional Air Gap, Reverse Osmosis</p>	\$184	\$216	\$228
	<p><b>3210-5613</b> Hot Water Dispenser                      6.73" (17cm) spout height at outlet.                      4.74" (12.0cm) spout reach (c-c).                       HOT WATER TANK #5-036 SOLD SEPARATELY.</p>	\$628	\$793	\$916



**3180-5711** Air Gap Kit  
IAPMO UPC® listed.

\$146      \$191      \$227



**3210-5811** Soft Touch Air Activated Disposer Switch  
Plugs into a standard 120 VAC wall outlet.  
Traditional Style.

\$282      \$382      \$437



**3210-5721** Soap/Lotion Dispenser  
Requires 1-1/4" to 1-11/16" through hole.  
Accommodates 2-3/8" maximum deck thickness.

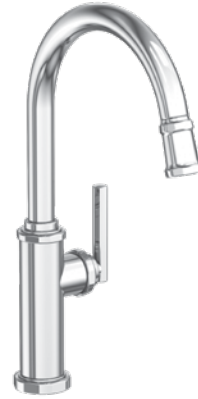
\$295      \$382      \$437

**20-374** Soap/Lotion Replacement Head  
**125-8** Soap/Lotion Pump  
**125-9** Soap/Lotion - Replacement Bottle

\$180      \$231      \$266  
\$55      —      —  
\$4      —      —



# HEANEY



PULL DOWN FAUCETS | PREP/BAR FAUCETS

	<p><b>3190-5113</b> Pull-Down Kitchen Faucet                      10.76" (27.3cm) spout height at outlet.                      8.52" (21.6cm) spout reach (c-c)                      17.45" overall height.                      1.8 gallons (6.8 liters) per minute maximum flow rate.</p>	\$1,242	\$1,499	\$1,730
	<p><b>3190-5223</b> Prep/Bar Pull-Down Faucet                      8.65" (22.0cm) spout height at outlet.                      7.40" (18.8cm) spout reach (c-c)                      14.85" overall height.                      1.8 gallons (6.8 liters) per minute maximum flow rate.</p>	\$1,161	\$1,398	\$1,629
	<p><b>3190-5503</b> Pot Filler - Wall Mount                      4.37" (11.1cm) spout downward offset from the wall inlet center.                      21.39" (54.3cm) pivoting spout reach from inlet valve (c-c).                      3.51" (8.9cm) pivoting inlet valve offset (wall-center).                      Two shut off valves. Twin knuckles.                      We recommend shutting off at marked location (OFF) when not in use.</p>	\$1,227	\$1,509	\$1,740
	<p><b>3190-5603</b> Hot and Cold Water Dispenser                      6.35" (16.1cm) spout height at outlet.                      4" (10.2cm) spout reach (c-c).                       HOT WATER TANK #5-036 SOLD SEPARATELY</p>	\$713	\$864	\$986
	<p><b>3190-5623</b> Cold Water Dispenser                      6.35" (16.1cm) spout height at outlet.                      4" (10.2cm) spout reach (c-c).</p>	\$511	\$647	\$746
	<p><b>6-027</b> Universal Contemporary Air Gap, Reverse Osmosis</p>	\$184	\$216	\$228
	<p><b>3190-5613</b> Hot Water Dispenser                      6.35" (16.1cm) spout height at outlet.                      4" (10.2cm) spout reach (c-c).                       WATER TANK #5-036 SOLD SEPARATELY.</p>	\$628	\$793	\$916



**3180-5711** Air Gap Kit  
IAPMO UPC® listed.

\$146      \$191      \$227



**3190-5811** Soft Touch Air Activated Disposer Switch  
Plugs into a standard 120 VAC wall outlet.  
Transitional Style.

\$282      \$382      \$437



**3190-5721** Soap/Lotion Dispenser  
Requires 1-1/4" to 1-11/16" through hole.  
Accommodates 2-3/8" maximum deck thickness.

\$295      \$382      \$437

**20-373** Soap/Lotion Replacement Head  
**125-8** Soap/Lotion Pump  
**125-9** Soap/Lotion - Replacement Bottle

\$180      \$231      \$266  
\$55      —      —  
\$4      —      —

# JACOBEBEAN



PULL DOWN FAUCET | KITCHEN FAUCETS | PREP/BAR FAUCET

	<p><b>2470-5103</b> Pull-Down Kitchen Faucet            9.81" (24.9cm) spout height at outlet.            8.58" (21.8cm) spout reach (c-c).            16.93" overall height.            1.8 gallons (6.8 liters) per minute maximum flow rate.</p>	\$1,129	\$1,426	\$1,646
	<p><b>2470-5303</b> Single Handle Kitchen Faucet            7.67" (19.5cm) spout height at outlet.            9.05" (23.0cm) spout reach (c-c).            10.88" overall height.            1.8 gallons (6.8 liters) per minute maximum flow rate.</p>	\$1,016	\$1,323	\$1,526
	<p><b>2470-5313</b> Single Handle Kitchen Faucet with Side Spray            7.67" (19.5cm) spout height at outlet.            9.05" (23.0cm) spout reach (c-c).            10.88" overall height.            1.8 gallons (6.8 liters) per minute maximum flow rate.</p>	\$1,309	\$1,702	\$1,966
	<p><b>2470-5432</b> Kitchen Faucet with Side Spray. Cross Handles.            6" (15.2cm) spout height at outlet.            9.05" (23.0cm) spout reach (c-c).            For 8" (20.3cm) centers - maximum 20" (50.8cm).            1.8 gallons (6.8 liters) per minute maximum flow rate.</p>	\$1,284	\$1,791	\$2,149
	<p><b>2470-5433</b> Kitchen Faucet with Side Spray. Lever Handles.            6" (15.2cm) spout height at outlet.            9.05" (23.0cm) spout reach (c-c).            For 8" (20.3cm) centers - maximum 20" (50.8cm).            1.8 gallons (6.8 liters) per minute maximum flow rate.</p>	\$1,284	\$1,791	\$2,149
<p><b>NEW</b></p>	<p><b>2470-5462</b> Kitchen Pull-Down Faucet. Cross Handles.            8.14" (20.7cm) spout height at outlet.            8.58" (21.8cm) spout reach (c-c).            For 8" (20.3cm) centers.            1.8 gallons (6.8 liters) per minute maximum flow rate.</p>	\$1,480	\$1,998	\$2,297

**NEW**



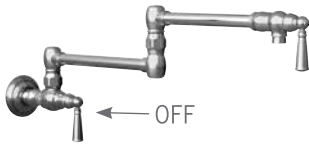
**2470-5463** Kitchen Pull-Down Faucet. Lever Handles. \$1,480 \$1,998 \$2,297  
 8.14" (20.7cm) spout height at outlet.  
 8.58" (21.8cm) spout reach (c-c).  
 For 8" (20.3cm) centers.  
 1.8 gallons (6.8 liters) per minute maximum flow rate.



**2470-5203** Prep/Bar Faucet \$969 \$1,237 \$1,439  
 7.73" (19.7cm) spout height at outlet.  
 6.70" (17.0cm) spout reach (c-c).  
 9.99" overall height.  
 1.8 gallons (6.8 liters) per minute maximum flow rate.



**2470-5223** Prep/Bar Pull Down Faucet \$1,058 \$1,331 \$1,551  
 8.80" (22.4cm) spout height at outlet.  
 6.55" (16.6cm) spout reach (c-c).  
 14.84" overall height.  
 1.8 gallons (6.8 liters) per minute maximum flow rate.



**2470-5503** Pot Filler - Wall Mount \$1,067 \$1,469 \$1,762  
 4.57" (11.6cm) spout downward offset from the wall inlet center.  
 21.19" (53.8cm) pivoting spout reach from inlet valve (c-c).  
 3.51" (8.9cm) pivoting inlet valve offset (wall-center).  
 Two shut off valves. Twin knuckles.  
 We recommend shutting off at marked location (OFF) when not in use.



**2470-5603** Hot and Cold Water Dispenser \$653 \$815 \$943  
 6.73" (17.0cm) spout height at outlet.  
 4.74" (12.0cm) spout reach (c-c).  
 HOT WATER TANK #5-036 SOLD SEPARATELY.



**2470-5623** Cold Water Dispenser \$405 \$504 \$569  
 6.73" (17.0cm) spout height at outlet.  
 4.74" (12.0cm) spout reach (c-c).

**6-028** Universal Traditional Air Gap, Reverse Osmosis \$184 \$216 \$228



**2470-5613** Hot Water Dispenser \$578 \$756 \$836  
 6.73" (17.0cm) spout height at outlet.  
 4.74" (12.0cm) spout reach (c-c).  
 HOT WATER TANK #5-036 SOLD SEPARATELY.



**2470-5711** Air Gap Kit \$146 \$191 \$227  
 IAPMO UPC® listed.



**2470-5811** Soft Touch Air Activated Disposer Switch  
Plugs into a standard 120 VAC wall outlet.  
Traditional Style.

\$282      \$382      \$437



**2470-5721** Soap/Lotion Dispenser  
Requires 1-1/4" to 1-11/16" through hole.  
Accommodates 2-7/16" maximum deck thickness.

\$295      \$382      \$437

**20-374** Soap/Lotion Replacement Head

\$180      \$231      \$266

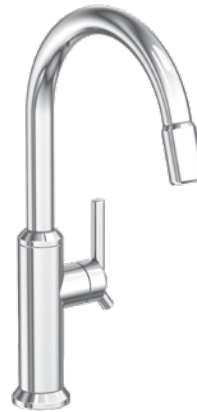
**125-8** Soap/Lotion Pump

\$55      —      —

**125-9** Soap/Lotion - Replacement Bottle

\$4      —      —

# JETER



KITCHEN FAUCETS | PREP/BAR FAUCET

	<p><b>3200-5113</b> Pull-Down Kitchen Faucet                      10.77" (27.4cm) spout height at outlet.                      8.52" (21.6cm) spout reach (c-c)                      17.45" overall height.                      1.8 gallons (6.8 liters) per minute maximum flow rate</p>	\$1,242	\$1,499	\$1,730
	<p><b>3200-5223</b> Prep/Bar Pull-Down Faucet                      8.65" (22.0cm) spout height at outlet.                      7.40" (18.8cm) spout reach (c-c).                      14.85" overall height.                      1.8 gallons (6.8 liters) per minute maximum flow rate.</p>	\$1,161	\$1,398	\$1,629
	<p><b>3200-5503</b> Pot Filler - Wall Mount                      4.37" (11.1cm) spout downward offset from wall inlet center.                      21.39" (54.3cm) pivoting spout reach from inlet valve (c-c).                      3.51" (8.9cm) pivoting inlet valve offset (wall-center).                      Two shut off valves. Twin knuckles.                      We recommend shutting off at marked location (OFF) when not in use.</p>	\$1,227	\$1,509	\$1,740
	<p><b>3200-5603</b> Hot and Cold Water Dispenser                      6.35" (16.1cm) spout height at outlet.                      4" (10.2 cm) spout reach (c-c).                       HOT WATER TANK #5-036 SOLD SEPARATELY.</p>	\$713	\$864	\$986
	<p><b>3200-5623</b> Cold Water Dispenser                      6.35" (16.1cm) spout height at outlet.                      4" (10.2cm) spout reach (c-c).</p>	\$511	\$647	\$746
	<p><b>6-027</b> Universal Contemporary Air Gap, Reverse Osmosis</p>	\$184	\$216	\$228
	<p><b>3200-5613</b> Hot Water Dispenser                      6.35" (16.1cm) spout height at outlet.                      4" (10.2cm) spout reach (c-c).                       HOT WATER TANK #5-036 SOLD SEPARATELY.</p>	\$628	\$793	\$916



**3180-5711** Air Gap Kit  
IAPMO UPC® listed.

\$146      \$191      \$227



**3200-5811** Soft Touch Air Activated Disposer Switch  
Plugs into a standard 120 VAC wall outlet.  
Contemporary Style.

\$282      \$382      \$437



**3200-5721** Soap/Lotion Dispenser  
Requires 1-1/4" to 1-11/16" through hole.  
Accommodates 2-3/8" maximum deck thickness.

\$295      \$382      \$437

**20-373** Soap/Lotion Replacement Head  
**125-8** Soap/Lotion Pump  
**125-9** Soap/Lotion - Replacement Bottle

\$180      \$231      \$266  
\$55      —      —  
\$4      —      —

# METROPOLE



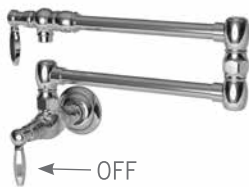
PULL DOWN FAUCET | PREP/BAR FAUCET



<b>1200-5103</b>	Pull-Down Faucet 9.06" (23.0 cm) spout height at outlet. 8.53" (21.7 cm) spout reach (c-c). 16.28" overall height. 1.8 gallons per minute maximum flow rate.	\$1,219	\$1,472	\$1,699
------------------	--	---------	---------	---------



<b>1200-5223</b>	Prep/Bar Faucet 8.17" (20.8 cm) spout height at outlet. 6.55" (16.6 cm) spout reach (c-c). 14.21" overall height. 1.8 gallons per minute maximum flow rate.	\$1,140	\$1,372	\$1,600
------------------	---	---------	---------	---------



<b>1200-5503</b>	Pot Filler - Wall Mount 4.57" (11.6 cm) spout downward offset from the wall inlet center. 21.19" (53.8 cm) pivoting spout reach from inlet valve (c-c). 3.51" (8.9 cm) pivoting inlet valve offset (wall-center). Two shut off valves. Twin knuckles. We recommend shutting off at marked location (OFF) when not in use.	\$1,227	\$1,509	\$1,740
------------------	--	---------	---------	---------



<b>1200-5603</b>	Hot and Cold Water Dispenser 7.36" (18.7cm) spout height at outlet. 4.74" (12.0cm) spout reach (c-c).  HOT WATER TANK #5-036 SOLD SEPARATELY	\$680	\$838	\$958
------------------	--	-------	-------	-------



<b>1200-5623</b>	Cold Water Dispenser 7.36" (18.7 cm) spout height at outlet 4.74" (12.0cm) spout reach (c-c).	\$511	\$647	\$746
<b>6-027</b>	Universal Contemporary Air Gap, Reverse Osmosis	\$184	\$216	\$228



<b>1200-5613</b>	Hot Water Dispenser 7.36" (18.7 cm) spout height at outlet 4.74" (12.0cm) spout reach (c-c).  HOT WATER TANK #5-036 SOLD SEPARATELY.	\$628	\$793	\$916
------------------	--	-------	-------	-------





**3180-5711** Air Gap Kit  
IAPMO UPC® listed.

\$146      \$191      \$227



**3190-5811** Soft Touch Air Activated Disposer Switch  
Plugs into a standard 120 VAC wall outlet.  
Transitional Style.

\$282      \$382      \$437



**2500-5721** Soap/Lotion Dispenser  
Requires 1-1/4" to 1-11/16" through hole.  
Accommodates 2-1/4" maximum deck thickness.

\$295      \$382      \$437

**20-405** Soap/Lotion Replacement Head  
**125-8** Soap/Lotion Pump  
**125-9** Soap/Lotion - Replacement Bottle

\$180      \$231      \$266  
\$55  
\$4

# MUNCY



PULL DOWN FAUCETS | KITCHEN FAUCETS | PREP/BAR FAUCETS



**3290-5113** Pull-Down Kitchen Faucet \$1,219 \$1,472 \$1,699  
 9.59" (24.4cm) spout height at outlet.  
 8.52" (21.6cm) spout reach (c-c).  
 16.28" overall height.  
 1.8 gallons (6.8 liters) per minute maximum flow rate.

**NEW**



**3290-5143** Pull-Down Kitchen Faucet \$1,129 \$1,359 \$1,568  
 10.2" (25.9cm) spout height at outlet.  
 8.52" (21.6cm) spout reach (c-c).  
 16.89" overall height.  
 1.8 gallons (6.8 liters) per minute maximum flow rate.

**NEW**



**3360-5113** Pull-Down Kitchen Faucet \$1,219 \$1,472 \$1,699  
 10.61" (27.0cm) spout height at outlet.  
 8.27" (21.0cm) spout reach (c-c).  
 16.16" overall height.  
 1.8 gallons (6.8 liters) per minute maximum flow rate.



**3290-5413** Kitchen Bridge Faucet with Side Spray Lever Handles. \$2,098 \$2,638 \$3,138  
 8.50" (21.6cm) spout height at outlet.  
 9" (22.9cm) spout reach (c-c).  
 For 8" (20.3cm) centers.  
 1.8 gallons (6.8 liters) per minute maximum flow rate.

**NEW**



**3360-5413** Kitchen Bridge Faucet with Side Spray Lever Handles. \$2,098 \$2,638 \$3,138  
 11.24" (28.5cm) spout height at outlet.  
 9" (22.9cm) spout reach (c-c).  
 For 8" (20.3cm) centers.  
 1.8 gallons (6.8 liters) per minute maximum flow rate.

**NEW**



**3290-5463** Kitchen Bridge Pull-Down Faucet \$1,480 \$1,998 \$2,297  
 Lever Handles.  
 10.01" (25.4cm) spout height at outlet.  
 8.52" (21.6cm) spout reach (c-c).  
 For 8" (20.3cm) centers.  
 1.8 gallons (6.8 liters) per minute maximum flow rate.

	<p><b>3290-5223</b> Prep/Bar Pull-Down Faucet                      7.46" (18.9cm) spout height at outlet.                      7.41" (18.8cm) spout reach (c-c).                      13.67" overall height.                      1.8 gallons (6.8 liters) per minute maximum flow rate.</p>	\$1,161	\$1,398	\$1,629
	<p><b>3290-5503</b> Pot Filler - Wall Mount                      4.35" (11.0cm) spout downward offset from wall inlet center.                      21.39" (54.3cm) pivoting spout reach from inlet valve (c-c).                      3.51" (8.9cm) pivoting inlet valve offset (wall-center).                      Two shut off valves. Twin knuckles.                      We recommend shutting off at marked location (OFF) when not in use.</p>	\$1,227	\$1,509	\$1,740
	<p><b>3290-5603</b> Hot and Cold Water Dispenser                      6.35" (16.1cm) spout height at outlet.                      4" (10.2cm) spout reach (c-c).                      HOT WATER TANK #5-036 SOLD SEPARATELY</p>	\$713	\$864	\$986
	<p><b>3290-5623</b> Cold Water Dispenser                      6.35" (16.1cm) spout height at outlet.                      4" (10.2cm) spout reach (c-c).</p>	\$511	\$647	\$746
	<p><b>6-027</b> Universal Contemporary Air Gap, Reverse Osmosis</p>	\$184	\$216	\$228
	<p><b>3290-5613</b> Hot Water Dispenser                      6.35" (16.1cm) spout height at outlet.                      4" (10.2cm) spout reach (c-c).                      WATER TANK #5-036 SOLD SEPARATELY.</p>	\$628	\$793	\$916
	<p><b>3180-5711</b> Air Gap Kit                      IAPMO UPC® listed.</p>	\$146	\$191	\$227
	<p><b>3290-5811</b> Soft Touch Air Activated Disposer Switch                      Plugs into a standard 120 VAC wall outlet.                      Industrial Style.</p>	\$282	\$382	\$437
	<p><b>3180-5721</b> Soap/Lotion Dispenser                      Requires 1-1/4" to 1-11/16" through hole.                      Accommodates 2-3/8" maximum deck thickness.</p>	\$295	\$382	\$437
	<p><b>20-373</b> Soap/Lotion Replacement Head  <b>125-8</b> Soap/Lotion Pump  <b>125-9</b> Soap/Lotion - Replacement Bottle</p>	\$180	\$231	\$266
		\$55	—	—
		\$4	—	—

# NADYA



PULL DOWN FAUCET | KITCHEN FAUCETS | PREP/BAR FAUCETS



**2510-5103** Pull-down Kitchen Faucet \$1,129 \$1,426 \$1,646  
 11.73" (29.8cm) spout height at outlet.  
 9" (22.9cm) spout reach (c-c).  
 17.65" overall height.  
 1.8 gallons (6.8 liters) per minute maximum flow rate.



**940** Single Handle Kitchen Faucet \$1,263 \$1,324 \$1,589  
 5.63" (14.3cm) spout height at outlet.  
 9.68" (24.6cm) spout reach (c-c).  
 7.99" overall height.  
 1.8 gallons (6.8 liters) per minute maximum flow rate.



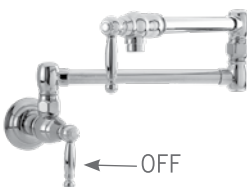
**941** Single Handle Kitchen Faucet with Side Spray \$1,597 \$1,673 \$2,003  
 5.63" (14.3cm) spout height at outlet.  
 9.68" (24.6cm) spout reach (c-c).  
 7.99" overall height.  
 1.8 gallons (6.8 liters) per minute maximum flow rate.



**2510-5203** Prep/Bar Faucet \$1,058 \$1,331 \$1,551  
 6.21" (15.8cm) spout height at outlet.  
 6.55" (16.6cm) spout reach (c-c).  
 12.25" overall height.  
 1.8 gallons (6.8 liters) per minute maximum flow rate.

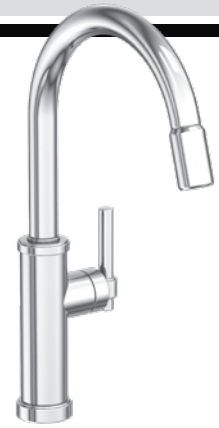


**8081** Prep/Bar Faucet \$943 \$1,248 \$1,450  
 10" (25.4cm) spout height at outlet.  
 5.27" (13.4cm) spout reach (c-c).  
 For single hole configurations.  
 1.8 gallons (6.8 liters) per minute maximum flow rate.



**9482** Pot Filler - Wall Mount \$1,067 \$1,469 \$1,762  
 4.57" (11.6cm) spout height from wall inlet center.  
 21.19" (53.8cm) pivoting spout reach from inlet valve (c-c).  
 3.51" (8.9cm) pivoting inlet valve offset (wall-center).  
 Two shut off valves. Twin knuckles.  
 We recommend shutting off at marked location (OFF) when not in use.

# SEAGER



PULL DOWN FAUCETS | PREP/BAR FAUCETS

	<p><b>3180-5113</b> Pull-Down Kitchen Faucet                      10.81" (27.5cm) spout height at outlet.                      8.52" (21.6cm) spout reach (c-c)                      17.49" overall height.                      1.8 gallons (6.8 liters) per minute maximum flow rate.</p>	<p>\$1,242</p>	<p>\$1,499</p>	<p>\$1,730</p>
	<p><b>3180-5223</b> Prep/Bar Pull-Down Faucet                      8.69" (22.1cm) spout height at outlet.                      7.40" (18.8cm) spout reach (c-c)                      14.89" overall height.                      1.8 gallons (6.8 liters) per minute maximum flow rate.</p>	<p>\$1,161</p>	<p>\$1,398</p>	<p>\$1,629</p>
	<p><b>3180-5503</b> Pot Filler - Wall Mount                      4.37" (11.1cm) spout downward offset from the wall inlet center.                      21.39" (54.3cm) pivoting spout reach from inlet valve (c-c).                      3.51" (8.9cm) pivoting inlet valve offset (wall-center).                      Two shut off valves. Twin knuckles.                      We recommend shutting off at marked location (OFF) when not in use.</p>	<p>\$1,227</p>	<p>\$1,509</p>	<p>\$1,740</p>
	<p><b>3180-5603</b> Hot and Cold Water Dispenser                      6.35" (16.1cm) spout height at outlet.                      4" (10.2cm) spout reach (c-c).                       HOT WATER TANK #5-036 SOLD SEPARATELY</p>	<p>\$713</p>	<p>\$864</p>	<p>\$986</p>
	<p><b>3180-5623</b> Cold Water Dispenser                      6.35" (16.1cm) spout height at outlet.                      4" (10.2cm) spout reach (c-c).</p>	<p>\$511</p>	<p>\$647</p>	<p>\$746</p>
	<p><b>6-027</b> Universal Contemporary Air Gap, Reverse Osmosis</p>	<p>\$184</p>	<p>\$216</p>	<p>\$228</p>
	<p><b>3180-5613</b> Hot Water Dispenser                      6.35" (16.1cm) spout height at outlet.                      4" (10.2cm) spout reach (c-c).                       WATER TANK #5-036 SOLD SEPARATELY.</p>	<p>\$628</p>	<p>\$793</p>	<p>\$916</p>



**3180-5711** Air Gap Kit  
IAPMO UPC® listed.

\$146      \$191      \$227



**3180-5721** Soap/Lotion Dispenser  
Requires 1-1/4" to 1-11/16" through hole.  
Accommodates 2-3/8" maximum deck thickness.

\$295      \$382      \$437

**20-373** Soap/Lotion Replacement Head  
**125-8** Soap/Lotion Pump  
**125-9** Soap/Lotion - Replacement Bottle

\$180      \$231      \$266  
\$55      —      —  
\$4      —      —



**1500-5811** Soft Touch Air Activated Disposer Switch  
Plugs into a standard 120 VAC wall outlet.  
Contemporary Style.

\$282      \$382      \$437

# STRIPLING



PULL DOWN FAUCETS | PREP/BAR FAUCETS

	<p><b>3310-5103</b> Pull-Down Kitchen Faucet                      10.18" (25.9cm) spout height at outlet.                      8.58" (21.8cm) spout reach (c-c)                      17.31" overall height.                      1.8 gallons (6.8 liters) per minute maximum flow rate.</p>	\$1,242	\$1,499	\$1,730
	<p><b>3310-5203</b> Prep/Bar Pull-Down Faucet                      8.7" (22.1cm) spout height at outlet.                      7.47" (19.0cm) spout reach (c-c)                      15.36" overall height.                      1.8 gallons (6.8 liters) per minute maximum flow rate.</p>	\$1,161	\$1,398	\$1,629
	<p><b>3310-5503</b> Pot Filler - Wall Mount                      4.38" (11.1cm) spout downward offset from the wall inlet center.                      21.39" (54.3cm) pivoting spout reach from inlet valve (c-c).                      3.51" (8.9cm) pivoting inlet valve offset (wall-center).                      Two shut off valves. Twin knuckles.                      We recommend shutting off at marked location (OFF) when not in use.</p>	\$1,227	\$1,509	\$1,740
	<p><b>3310-5603</b> Hot and Cold Water Dispenser                      7" (17.8cm) spout height at outlet.                      4.74" (12.0cm) spout reach (c-c).                       HOT WATER TANK #5-036 SOLD SEPARATELY</p>	\$713	\$864	\$986
	<p><b>3310-5623</b> Cold Water Dispenser                      7" (17.8cm) spout height at outlet.                      4.74" (12.0cm) spout reach (c-c).</p>	\$511	\$647	\$746
	<p><b>6-027</b> Universal Contemporary Air Gap, Reverse Osmosis</p>	\$184	\$216	\$228
	<p><b>3310-5613</b> Hot Water Dispenser                      7" (17.8cm) spout height at outlet.                      4.74" (12.0cm) spout reach (c-c).                       WATER TANK #5-036 SOLD SEPARATELY.</p>	\$628	\$793	\$916



**1030-5711** Air Gap Kit  
IAPMO UPC® listed.

\$146      \$191      \$227



**3310-5721** Soap/Lotion Dispenser  
Requires 1-1/4" to 1-11/16" through hole.  
Accommodates 2-3/8" maximum deck thickness.

\$295      \$382      \$437

**20-373** Soap/Lotion Replacement Head  
**125-8** Soap/Lotion Pump  
**125-9** Soap/Lotion - Replacement Bottle

\$180      \$231      \$266  
\$55      —      —  
\$4      —      —



**2470-5811** Soft Touch Air Activated Disposer Switch  
Plugs into a standard 120 VAC wall outlet.  
Traditional Style.

\$282      \$382      \$437



# TAFT



## PULL DOWN FAUCETS | PREP/BAR FAUCETS

	<p><b>2940-5103</b> Pull-Down Kitchen Faucet            10.31" (26.2cm) spout height at outlet.            8.58" (21.8cm) spout reach (c-c).            17.43" overall height.            1.8 gallons (6.8 liters) per minute maximum flow rate.</p>	\$1,219	\$1,472	\$1,699
	<p><b>2940-5123</b> Pull-Down Kitchen Faucet            2-hole install, separate single handle.            10.21" (25.9cm) spout height at outlet            9.37" (23.8cm) spout reach (c-c)            16.80" overall height.            1.8 gallons (6.8 liters) per minute maximum flow rate.</p>	\$1,129	\$1,359	\$1,568
<p><b>NEW</b></p>	<p><b>2940-5463</b> Kitchen Bridge Pull-Down Faucet            Lever Handles.            9.7" (24.6cm) spout height at outlet            8.58" (21.8cm) spout reach (c-c)            For 8" (20.3cm) centers.            1.8 gallons (6.8 liters) per minute maximum flow rate.</p>	\$1,480	\$1,998	\$2,297
	<p><b>2940-5223</b> Prep/Bar Pull-Down Faucet            8.18" (20.8cm) spout height at outlet.            7.47" (19.0cm) spout reach (c-c).            14.83" overall height.            1.8 gallons (6.8 liters) per minute maximum flow rate.</p>	\$1,140	\$1,372	\$1,600
	<p><b>2940-5503</b> Pot Filler - Wall Mount            4.37" (11.1cm) spout downward offset from wall inlet center.            21.39" (54.3cm) pivoting spout reach from inlet valve (c-c).            3.54" (9.0cm) pivoting inlet valve offset (wall-center).            Two shut off valves. Twin knuckles.            We recommend shutting off at marked location (OFF) when not in use.</p>	\$1,227	\$1,509	\$1,740
	<p><b>2940-5603</b> Hot and Cold Water Dispenser            6.80" (17.3cm) spout height at outlet.            4.74" (12.0cm) spout reach (c-c).             HOT WATER TANK #5-036 SOLD SEPARATELY.</p>	\$713	\$864	\$986



**2940-5623** Cold Water Dispenser \$511 \$647 \$746  
 6.80" (17.3cm) spout height at outlet.  
 4.74" (12.0cm) spout reach (c-c).

**6-027** Universal Contemporary Air Gap, Reverse Osmosis \$184 \$216 \$228



**2940-5613** Hot Water Dispenser \$628 \$793 \$916  
 6.80" (17.3cm) spout height at outlet.  
 4.74" (12.0cm) spout reach (c-c).

HOT WATER TANK #5-036 SOLD SEPARATELY.



**2940-5711** Air Gap Kit \$146 \$191 \$227  
 IAPMO UPC® Listed.



**2940-5721** Soap/Lotion Dispenser \$295 \$382 \$437  
 Requires 1-1/4" to 1-11/16" through hole.  
 Accommodates 2-3/8" maximum deck thickness.

**20-373** Soap/Lotion Replacement Head \$180 \$231 \$266  
**125-8** Soap/Lotion Pump \$55 — —  
**125-9** Soap/Lotion - Replacement Bottle \$4 — —



**2940-5811** Soft Touch Air Activated Disposer Switch \$282 \$382 \$437  
 Plugs into a standard 120 VAC wall outlet.  
 Traditional Style.

# VESPERA



KITCHEN

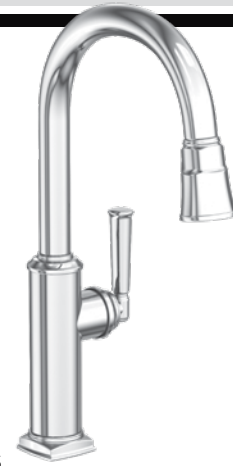
PULL DOWN FAUCETS | PREP/BAR FAUCETS

	<p><b>2500-5123</b> Pull-Down Kitchen Faucet                      10.07" (25.6cm) spout height at outlet.                      8.68" (22.0cm) spout reach (c-c).                      17.79" overall height.                      1.8 gallons (6.8 liters) per minute maximum flow rate.</p>	\$1,184	\$1,426	\$1,646
	<p><b>2500-5223</b> Prep/Bar Pull-Down Faucet                      7.08" (18.0cm) spout height at outlet.                      6.66" (16.9cm) spout reach (c-c).                      13.71" overall height.                      1.8 gallons (6.8 liters) per minute maximum flow rate.</p>	\$1,112	\$1,331	\$1,551
	<p><b>2500-5503</b> Pot Filler - Wall Mount                      0.89" (2.4cm) spout downward offset from wall inlet center.                      22.69" (57.5cm) pivoting spout reach from inlet valve (c-c).                      3.55" (9.0cm) pivoting inlet valve offset (wall-center).                      Two shut off valves. Twin knuckles.                      We recommend shutting off at marked location (OFF) when not in use.</p>	\$1,396	\$1,714	\$1,975
	<p><b>2500-5623</b> Cold Water Dispenser                      7.42" (18.8cm) spout height at outlet.                      3.93" (10.0cm) spout reach (c-c).</p>	\$503	\$641	\$738
	<p><b>6-027</b> Universal Contemporary Air Gap, Reverse Osmosis</p>	\$184	\$216	\$228
	<p><b>2500-5613</b> Hot Water Dispenser                      7.42" (18.8cm) spout height at outlet.                      3.93" (10.0cm) spout reach (c-c).</p>	\$688	\$871	\$1,007
	<p><b>100</b> Air Gap Kit                      IAPMO UPC® listed.</p>	\$55	\$69	\$83



<b>2500-5721</b>	Soap/Lotion Dispenser Requires 1-1/4" to 1-11/16" through hole. Accommodates 2-1/4" maximum deck thickness.	\$295	\$382	\$437
<b>20-405</b>	Soap/Lotion Replacement Head	\$180	\$231	\$266
<b>125-8</b>	Soap/Lotion Pump	\$55	—	—
<b>125-9</b>	Soap/Lotion - Replacement Bottle	\$4	—	—

# ZEMORA



PULL DOWN FAUCETS | PREP/BAR FAUCETS

	<p><b>3160-5103</b> Pull-Down Kitchen Faucet                      10.44" (26.5cm) spout height at outlet.                      8.59" (21.8cm) spout reach (c-c)                      17.57" overall height.                      1.8 gallons (6.8 liters) per minute maximum flow rate.</p>	\$1,242	\$1,499	\$1,730
	<p><b>3160-5203</b> Prep/Bar Pull-Down Faucet                      8.31" (21.1cm) spout height at outlet.                      7.48" (19.0cm) spout reach (c-c)                      14.97" overall height.                      1.8 gallons (6.8 liters) per minute maximum flow rate.</p>	\$1,161	\$1,398	\$1,629
	<p><b>3160-5503</b> Pot Filler - Wall Mount                      4.37" (11.1cm) spout downward offset from the wall inlet center.                      21.39" (54.3cm) pivoting spout reach from inlet valve (c-c).                      3.51" (8.9cm) pivoting inlet valve offset (wall-center).                      Two shut off valves. Twin knuckles.                      We recommend shutting off at marked location (OFF) when not in use.</p>	\$1,227	\$1,509	\$1,740
	<p><b>3160-5603</b> Hot and Cold Water Dispenser                      6.73" (17cm) spout height at outlet.                      4.74" (12.0cm) spout reach (c-c).                       HOT WATER TANK #5-036 SOLD SEPARATELY</p>	\$713	\$864	\$986
	<p><b>3160-5623</b> Cold Water Dispenser                      6.73" (17cm) spout height at outlet.                      4.74" (12.0cm) spout reach (c-c).</p>	\$511	\$647	\$746
	<p><b>6-027</b> Universal Contemporary Air Gap, Reverse Osmosis</p>	\$184	\$216	\$228
	<p><b>3160-5613</b> Hot Water Dispenser                      6.73" (17cm) spout height at outlet.                      4.74" (12.0cm) spout reach (c-c).                       WATER TANK #5-036 SOLD SEPARATELY.</p>	\$628	\$793	\$916



**3180-5711** Air Gap Kit  
IAPMO UPC® listed.

\$146      \$191      \$227



**3160-5811** Soft Touch Air Activated Disposer Switch  
Plugs into a standard 120 VAC wall outlet.  
Traditional Style.

\$282      \$382      \$437



**3160-5721** Soap/Lotion Dispenser  
Requires 1-1/4" to 1-11/16" through hole.  
Accommodates 2-3/8" maximum deck thickness.

\$295      \$382      \$437

**20-373** Soap/Lotion Replacement Head  
**125-8** Soap/Lotion Pump  
**125-9** Soap/Lotion - Replacement Bottle

\$180      \$231      \$266  
\$55      —      —  
\$4      —      —

# PREP/BAR FAUCETS



	<p><b>1030-5223</b> Prep/Bar Pull Down Faucet 8.18" (20.8cm) spout height at outlet. 7.47" (19.0cm) spout reach (c-c). 14.83" overall height. 1.8 gallons (6.8 liters) per minute maximum flow rate. Matches Chesterfield Series.</p>	\$1,140	\$1,372	\$1,600
	<p><b>1200-5223</b> Prep/Bar Faucet 8.17" (20.8 cm) spout height at outlet. 6.55" (16.6 cm) spout reach (c-c). 14.21" overall height. 1.8 gallons (6.8 liters) per minute maximum flow rate. Matches Metropole Series.</p>	\$1,140	\$1,372	\$1,600
	<p><b>1500-5203</b> Prep/Bar Faucet 7.01" (17.8cm) spout height at outlet. 7.47" (19.0cm) spout reach (c-c). 13.66" overall height. 1.8 gallons (6.8 liters) per minute maximum flow rate. Matches East Linear Series.</p>	\$1,058	\$1,331	\$1,551
	<p><b>1500-5223</b> Prep/Bar Faucet 7.46" (18.9cm) spout height at outlet. 7.41" (18.8cm) spout reach (c-c). 13.67" overall height. 1.8 gallons (6.8 liters) per minute maximum flow rate. Matches East Linear Series.</p>	\$1,058	\$1,331	\$1,551
	<p><b>2470-5203</b> Prep/Bar Faucet 7.73" (19.7cm) spout height at outlet. 6.70" (17.0cm) spout reach (c-c). 9.99" overall height. 1.8 gallons (6.8 liters) per minute maximum flow rate. Matches Jacobean Series.</p>	\$969	\$1,237	\$1,439
	<p><b>2470-5223</b> Prep/Bar Pull Down Faucet 8.80" (22.4cm) spout height at outlet. 6.55" (16.6cm) spout reach (c-c). 14.84" overall height. 1.8 gallons (6.8 liters) per minute maximum flow rate. Matches Jacobean Series.</p>	\$1,058	\$1,331	\$1,551



**2500-5223** Prep/Bar Pull-Down Faucet \$1,112 \$1,331 \$1,551  
 7.08" (18.0cm) spout height at outlet.  
 6.66" (16.9cm) spout reach (c-c).  
 13.71" overall height.  
 1.8 gallons (6.8 liters) per minute maximum flow rate.  
 Matches Vespera Series.



**2510-5203** Prep/Bar Faucet \$1,058 \$1,331 \$1,551  
 6.21" (15.8cm) spout height at outlet.  
 6.55" (16.6cm) spout reach (c-c).  
 12.25" overall height.  
 1.8 gallons (6.8 liters) per minute maximum flow rate.  
 Matches Nadya Series.



**2940-5223** Prep/Bar Pull-Down Faucet \$1,140 \$1,372 \$1,600  
 8.18" (20.8cm) spout height at outlet.  
 7.47" (19.0cm) spout reach (c-c).  
 14.83" overall height.  
 1.8 gallons (6.8 liters) per minute maximum flow rate.  
 Matches Taft Series.



**3160-5203** Prep/Bar Pull-Down Faucet \$1,161 \$1,398 \$1,629  
 8.31" (21.1cm) spout height at outlet.  
 7.48" (19.0cm) spout reach (c-c).  
 14.97" overall height.  
 1.8 gallons (6.8 liters) per minute maximum flow rate.  
 Matches Zemora Series.



**3170-5203** Prep/Bar Pull-Down Faucet \$1,161 \$1,398 \$1,629  
 8.28" (21.0cm) spout height at outlet.  
 7.47" (19.0 cm) spout reach (c-c).  
 14.93" overall height  
 1.8 gallons (6.8 liters) per minute maximum flow rate.  
 Matches Adams Series.



**3180-5223** Prep/Bar Pull-Down Faucet \$1,161 \$1,398 \$1,629  
 8.69" (22.1cm) spout height at outlet.  
 7.40" (18.8cm) spout reach (c-c)  
 14.89" overall height.  
 1.8 gallons (6.8 liters) per minute maximum flow rate.  
 Matches Seager Series.











**3190-5223** Prep/Bar Pull-Down Faucet \$1,161 \$1,398 \$1,629  
 8.65" (22.0cm) spout height at outlet.  
 7.40" (18.8cm) spout reach (c-c)  
 14.85" overall height.  
 1.8 gallons (6.8 liters) per minute maximum flow rate.  
 Matches Heaney Series.



**3200-5223** Prep/Bar Pull-Down Faucet \$1,161 \$1,398 \$1,629  
 8.65" (22.0cm) spout height at outlet.  
 7.40" (18.8cm) spout reach (c-c).  
 14.85" overall height.  
 1.8 gallons (6.8 liters) per minute maximum flow rate.  
 Matches Jeter Series.



	<b>3210-5203</b> Prep/Bar Pull-Down Faucet 8.24" (20.9cm) spout height at outlet. 7.47" (19.0 cm) spout reach (c-c). 14.89" overall height. 1.8 gallons (6.8 liters) per minute maximum flow rate. Matches Gavin Series.	\$1,161	\$1,398	\$1,629
	<b>3290-5223</b> Prep/Bar Pull-Down Faucet 7.46 (18.9cm) spout height at outlet. 7.41 (18.8cm) spout reach (c-c). 13.67" overall height. 1.8 gallons (6.8 liters) per minute maximum flow rate. Matches Muncy Series.	\$1,161	\$1,398	\$1,629
	<b>3310-5203</b> Prep/Bar Pull-Down Faucet 8.7" (22.1cm) spout height at outlet. 7.47" (19.0cm) spout reach (c-c) 15.36" overall height. 1.8 gallons (6.8 liters) per minute maximum flow rate. Matches Stripling Series.	\$1,161	\$1,398	\$1,629
	<b>808</b> Prep/Bar Faucet 7.52" (19.1cm) spout height at outlet. 5.27" (13.4cm) spout reach (c-c). 10.83" overall height. For 4" (10.2cm) centers. 1.8 gallons (6.8 liters) per minute maximum flow rate. Matches Seaport Series.	\$621	\$751	\$876
	<b>928</b> Prep/Bar Faucet 8.37" (21.3cm) spout height at outlet. 5.27" (13.4cm) spout reach (c-c). 11.68" overall height. 1.8 gallons (6.8 liters) per minute maximum flow rate. Matches Chesterfield Series.	\$896	\$1,185	\$1,376
	<b>938</b> Prep/Bar Faucet 5.23" (13.3cm) spout height at outlet. 6.95" (17.7cm) spout reach (c-c). 7.97" overall height. 1.8 gallons (6.8 liters) per minute maximum flow rate. Matches Chesterfield Series.	\$943	\$1,248	\$1,450
	<b>1008</b> Prep/Bar Faucet 7.12" (18.1cm) spout height at outlet. 8.45" (21.4cm) spout reach (c-c). 11.01" overall height. 1.8 gallons (6.8 liters) per minute maximum flow rate. Matches Fairfield Series.	\$943	\$1,248	\$1,450
	<b>1038</b> Prep/Bar Faucet 10" (25.4cm) spout height at outlet. 5.27" (13.4cm) spout reach (c-c). 13.31" overall height. 1.8 gallons (6.8 liters) per minute maximum flow rate. Matches Chesterfield Series.	\$896	\$1,185	\$1,376



**1208** Prep/Bar Faucet \$896 \$1,185 \$1,376  
 10" (25.4cm) spout height at outlet.  
 5.27" (13.4cm) spout reach (c-c).  
 13.31" overall height.  
 1.8 gallons (6.8 liters) per minute maximum flow rate.  
 Matches Metropole Series.



**1508** Prep/Bar Faucet \$987 \$1,329 \$1,594  
 7.92" (20.1cm) spout height at outlet.  
 4.03" (10.2cm) spout reach (c-c). 13.10" overall height.  
 1.2 gallons (4.5 liters) per minute maximum flow rate.  
 Drains not included. For lavatory sink drains, see Brasstech # 330, 3301, 3302, or 3303. For bar sink drains, see #130 or 131.  
 Matches East Linear Series.



**1628** Prep/Bar Faucet \$896 \$1,185 \$1,376  
 10" (25.4cm) spout height at outlet.  
 5.27" (13.4cm) spout reach (c-c).  
 13.31" overall height.  
 1.8 gallons (6.8 liters) per minute maximum flow rate.  
 Matches Miro Series.



**1668** Prep/Bar Faucet \$896 \$1,185 \$1,376  
 10" (25.4cm) spout height at outlet.  
 5.27" (13.4cm) spout reach (c-c).  
 13.31" overall height.  
 1.8 gallons (6.8 liters) per minute maximum flow rate.



**2007** Prep/Bar Faucet \$933 \$1,236 \$1,433  
 7.41" (18.8cm) spout height at outlet.  
 6.13" (15.6cm) spout reach (c-c).  
 10.91" overall height.  
 1.8 gallons (6.8 liters) per minute maximum flow rate.  
 Matches East Square Series.



**2008** Prep/Bar Faucet \$933 \$1,236 \$1,433  
 7.42" (18.8cm) spout height at outlet.  
 7.13" (18.1cm) spout reach (c-c).  
 12.98" overall height.  
 1.8 gallons (6.8 liters) per minute maximum flow rate.  
 Matches East Linear Series.

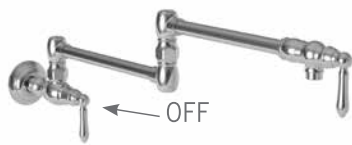


**8081** Prep/Bar Faucet \$943 \$1,248 \$1,450  
 10" (25.4cm) spout height at outlet.  
 5.27" (13.4cm) spout reach (c-c).  
 13.31" overall height.  
 1.8 gallons (6.8 liters) per minute maximum flow rate.  
 Matches Seaport Series.

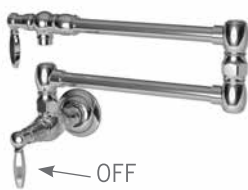


**9281** Prep/Bar Faucet \$896 \$1,185 \$1,376  
 10" (25.4cm) spout height at outlet.  
 5.27" (13.4cm) spout reach (c-c).  
 13.31" overall height.  
 1.8 gallons (6.8 liters) per minute maximum flow rate.  
 Matches Chesterfield Series.

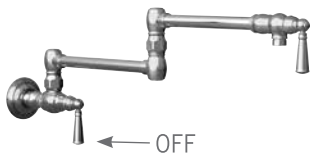
# POT FILLERS



**1030-5503** Pot Filler - Wall Mount \$1,227 \$1,509 \$1,740  
 4.57" (11.6cm) spout downward offset from the wall inlet center.  
 21.19" (53.8cm) pivoting spout reach from inlet valve (c-c).  
 3.51" (8.9cm) pivoting inlet valve offset (wall-center).  
 Two shut off valves. Twin knuckles.  
 We recommend shutting off at marked location (OFF) when not in use.  
 Matches Chesterfield Series.



**1200-5503** Pot Filler - Wall Mount \$1,227 \$1,509 \$1,740  
 4.57" (11.6cm) spout downward offset from the wall inlet center.  
 21.19" (53.8cm) pivoting spout reach from inlet valve (c-c).  
 3.51" (8.9cm) pivoting inlet valve offset (wall-center).  
 Two shut off valves. Twin knuckles.  
 We recommend shutting off at marked location (OFF) when not in use.  
 Matches Metropole Series.



**2470-5503** Pot Filler - Wall Mount \$1,067 \$1,469 \$1,762  
 4.57" (11.6cm) spout downward offset from the wall inlet center.  
 21.19" (53.8cm) pivoting spout reach from inlet valve (c-c).  
 3.51" (8.9cm) pivoting inlet valve offset (wall-center).  
 Two shut off valves. Twin knuckles.  
 We recommend shutting off at marked location (OFF) when not in use.  
 Matches Jacobean Series.



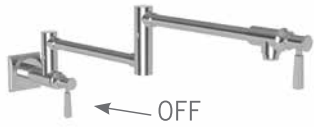
**2500-5503** Pot Filler - Wall Mount \$1,396 \$1,714 \$1,975  
 0.89" (2.4cm) spout downward offset from wall inlet center.  
 22.69" (57.5cm) pivoting spout reach from inlet valve (c-c).  
 3.55" (9.0cm) pivoting inlet valve offset (wall-center).  
 Two shut off valves. Twin knuckles.  
 We recommend shutting off at marked location (OFF) when not in use.  
 Matches Vespera Series.



**2940-5503** Pot Filler - Wall Mount \$1,227 \$1,509 \$1,740  
 4.37" (11.1cm) spout downward offset from wall inlet center.  
 21.39" (54.3cm) pivoting spout reach from inlet valve (c-c).  
 3.54" (9.0cm) pivoting inlet valve offset (wall-center).  
 Two shut off valves. Twin knuckles.  
 We recommend shutting off at marked location (OFF) when not in use.  
 Matches Taft Series.

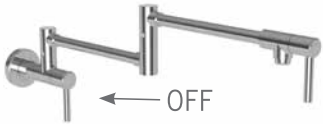


**3160-5503** Pot Filler - Wall Mount \$1,227 \$1,509 \$1,740  
 4.37" (11.1cm) spout downward offset from the wall inlet center.  
 21.39" (54.3cm) pivoting spout reach from inlet valve (c-c).  
 3.51" (8.9cm) pivoting inlet valve offset (wall-center).  
 Two shut off valves. Twin knuckles.  
 We recommend shutting off at marked location (OFF) when not in use.  
 Matches Zemora Series.



**3170-5503** Pot Filler - Wall Mount \$1,227 \$1,509 \$1,740  
 4.37" (11.1cm) spout downward offset from wall inlet center.  
 21.39" (54.3cm) pivoting spout reach from inlet valve (c-c).  
 3.51" (8.9cm) pivoting inlet valve offset (wall-center).  
 Two shut off valves. Twin knuckles.  
 We recommend shutting off at marked location (OFF) when not in use.

Matches Adams Series.



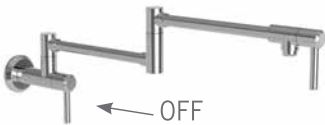
**3180-5503** Pot Filler - Wall Mount \$1,227 \$1,509 \$1,740  
 4.37" (11.1cm) spout downward offset from the wall inlet center.  
 21.39" (54.3cm) pivoting spout reach from inlet valve (c-c).  
 3.51" (9.0cm) pivoting inlet valve offset (wall-center).  
 Two shut off valves. Twin knuckles.  
 We recommend shutting off at marked location (OFF) when not in use.

Matches Seager Series.



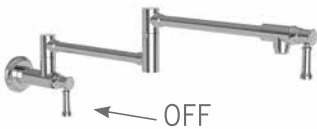
**3190-5503** Pot Filler - Wall Mount \$1,227 \$1,509 \$1,740  
 4.37" (11.1cm) spout downward offset from the wall inlet center.  
 21.39" (54.3cm) pivoting spout reach from inlet valve (c-c).  
 3.51" (8.9cm) pivoting inlet valve offset (wall-center).  
 Two shut off valves. Twin knuckles.  
 We recommend shutting off at marked location (OFF) when not in use.

Matches Heaney Series.



**3200-5503** Pot Filler - Wall Mount \$1,227 \$1,509 \$1,740  
 4.37" (11.1cm) spout downward offset from wall inlet center.  
 21.39" (54.3cm) pivoting spout reach from inlet valve (c-c).  
 3.51" (8.9cm) pivoting inlet valve offset (wall-center).  
 Two shut off valves. Twin knuckles.  
 We recommend shutting off at marked location (OFF) when not in use.

Matches Jeter Series.



**3210-5503** Pot Filler - Wall Mount \$1,227 \$1,509 \$1,740  
 4.37" (11.1cm) spout downward offset from wall inlet center.  
 21.39" (54.3cm) pivoting spout reach from inlet valve (c-c).  
 3.51" (8.9cm) pivoting inlet valve offset (wall-center).  
 Two shut off valves. Twin knuckles.  
 We recommend shutting off at marked location (OFF) when not in use.

Matches Gavin Series.



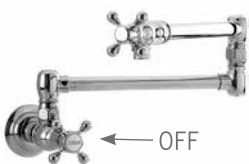
**3290-5503** Pot Filler - Wall Mount \$1,227 \$1,509 \$1,740  
 4.35" (11.0cm) spout downward offset from wall inlet center.  
 21.39" (54.3cm) pivoting spout reach from inlet valve (c-c).  
 3.51" (8.9cm) pivoting inlet valve offset (wall-center).  
 Two shut off valves. Twin knuckles.  
 We recommend shutting off at marked location (OFF) when not in use.

Matches Muncy Series.



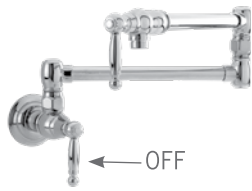
**3310-5503** Pot Filler - Wall Mount \$1,227 \$1,509 \$1,740  
 4.38" (11.1cm) spout downward offset from the wall inlet center.  
 21.39" (54.3cm) pivoting spout reach from inlet valve (c-c).  
 3.51" (9.0cm) pivoting inlet valve offset (wall-center).  
 Two shut off valves. Twin knuckles.  
 We recommend shutting off at marked location (OFF) when not in use.

Matches Stripling Series.



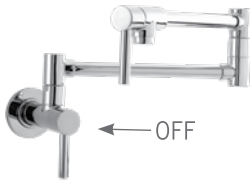
**9481** Pot Filler - Wall Mount \$1,067 \$1,469 \$1,762  
 4.57" (11.6cm) spout height from wall inlet center.  
 21.19" (53.8cm) pivoting spout reach from inlet valve (c-c).  
 3.51" (8.9cm) pivoting inlet valve offset (wall-center).  
 Two shut off valves. Twin knuckles.  
 We recommend shutting off at marked location (OFF) when not in use.

Matches Chesterfield Series.



**9482**

Pot Filler - Wall Mount \$1,067    \$1,469    \$1,762  
 4.57" (11.6cm) spout height from wall inlet center.  
 21.19" (53.8cm) pivoting spout reach from inlet valve (c-c).  
 3.51" (8.9cm) pivoting inlet valve offset (wall-center).  
 Two shut off valves. Twin knuckles.  
 We recommend shutting off at marked location (OFF) when not in use.  
 Matches Nadya Series.














**9485**












Pot Filler - Wall Mount \$1,067    \$1,469    \$1,762  
 4.37" (11.1cm) spout height from wall inlet center.  
 21.39" (54.3cm) pivoting spout reach from inlet valve (c-c).  
 3.54" (9.0cm) pivoting inlet valve offset (wall-center).  
 Two shut off valves. Twin knuckles  
 We recommend shutting off at marked location (OFF) when not in use.  
 Matches East Linear Series.

# WATER DISPENSERS













	<p><b>1030-5603</b> Hot and Cold Water Dispenser 6.57" (16.7cm) spout height at outlet. 4.8" (12.2cm) spout reach (c-c). HOT WATER TANK #5-036 SOLD SEPARATELY. Matches Chesterfield Series.</p>	\$713	\$864	\$986
	<p><b>1030-5623</b> Cold Water Dispenser 6.57" (16.7cm) spout height at outlet. 4.8" (12.2cm) spout reach (c-c). Matches Chesterfield Series.</p>	\$511	\$647	\$746
	<p><b>6-028</b> Universal Traditional Air Gap, Reverse Osmosis</p>	\$184	\$216	\$228
	<p><b>1030-5613</b> Hot Water Dispenser 6.57" (16.7cm) spout height at outlet. 4.8" (12.2cm) spout reach (c-c). WATER TANK #5-036 SOLD SEPARATELY. Matches Chesterfield Series.</p>	\$628	\$793	\$916
	<p><b>1200-5603</b> Hot and Cold Water Dispenser 7.36" (18.7cm) spout height at outlet. 4.74" (12.0cm) spout reach (c-c). HOT WATER TANK #5-036 SOLD SEPARATELY Matches Metropole Series.</p>	\$680	\$838	\$958
	<p><b>1200-5623</b> Cold Water Dispenser 7.36" (18.7cm) spout height at outlet. 4.74" (12.0cm) spout reach (c-c). Matches Metropole Series.</p>	\$511	\$647	\$746
	<p><b>6-027</b> Universal Contemporary Air Gap, Reverse Osmosis</p>	\$184	\$216	\$228
	<p><b>1200-5613</b> Hot Water Dispenser 7.36" (18.7cm) spout height at outlet. 4.74" (12.0cm) spout reach (c-c). HOT WATER TANK #5-036 SOLD SEPARATELY. Matches Metropole Series.</p>	\$628	\$793	\$916

	<b>2470-5603</b> Hot and Cold Water Dispenser 6.73" (17.0cm) spout height at outlet. 4.74" (12.0cm) spout reach (c-c).  HOT WATER TANK #5-036 SOLD SEPARATELY.  Matches Jacobean Series.	\$653	\$815	\$943
	<b>2470-5623</b> Cold Water Dispenser 6.73" (17.0cm) spout height at outlet. 4.74" (12.0cm) spout reach (c-c).  Matches Jacobean Series.	\$405	\$504	\$569
	<b>6-028</b> Universal Traditional Air Gap, Reverse Osmosis	\$184	\$216	\$228
	<b>2470-5613</b> Hot Water Dispenser 6.73" (17.0cm) spout height at outlet. 4.74" (12.0cm) spout reach (c-c).  HOT WATER TANK #5-036 SOLD SEPARATELY.  Matches Jacobean Series.	\$578	\$756	\$836
	<b>2500-5623</b> Cold Water Dispenser 7.42" (18.8cm) spout height at outlet. 3.93" (10.0cm) spout reach (c-c).  Matches Vespera Series.	\$503	\$641	\$738
	<b>6-027</b> Universal Contemporary Air Gap, Reverse Osmosis	\$184	\$216	\$228
	<b>2500-5613</b> Hot Water Dispenser 7.42" (18.8cm) spout height at outlet. 3.93" (10.0cm) spout reach (c-c).  HOT WATER TANK #5-036 SOLD SEPARATELY.  Matches Vespera Series.	\$688	\$871	\$1,007
	<b>2940-5603</b> Hot and Cold Water Dispenser 6.80" (17.3cm) spout height at outlet. 4.74" (12.0cm) spout reach (c-c).  HOT WATER TANK #5-036 SOLD SEPARATELY.  Matches Taft Series.	\$713	\$864	\$986
	<b>2940-5623</b> Cold Water Dispenser 6.80" (17.3cm) spout height at outlet. 4.74" (12.0cm) spout reach (c-c).  Matches Taft Series.	\$511	\$647	\$746
	<b>6-027</b> Universal Contemporary Air Gap, Reverse Osmosis	\$184	\$216	\$228
	<b>2940-5613</b> Hot Water Dispenser 6.80" (17.3cm) spout height at outlet. 4.74" (12.0cm) spout reach (c-c).  HOT WATER TANK #5-036 SOLD SEPARATELY.  Matches Taft Series.	\$628	\$793	\$916

	<b>3160-5603</b> Hot and Cold Water Dispenser 6.73" (17cm) spout height at outlet. 4.74" (12.0 cm) spout reach (c-c).  HOT WATER TANK #5-036 SOLD SEPARATELY.  Matches Zemora Series.	\$713	\$864	\$986
	<b>3160-5623</b> Cold Water Dispenser 6.73" (17cm) spout height at outlet. 4.74" (12.0cm) spout reach c-c.  Matches Zemora Series.	\$511	\$647	\$746
	<b>6-027</b> Universal Contemporary Air Gap, Reverse Osmosis	\$184	\$216	\$228
	<b>3160-5613</b> Hot Water Dispenser 6.73" (17cm) spout height at outlet. 4.74" (12.0cm) spout reach (c-c).  HOT WATER TANK #5-036 SOLD SEPARATELY.  Matches Zemora Series.	\$628	\$793	\$916
	<b>3170-5603</b> Hot and Cold Water Dispenser 6.73" (17cm) spout height at outlet. 4.74" (12.0 cm) spout reach (c-c).  HOT WATER TANK #5-036 SOLD SEPARATELY.  Matches Adams Series.	\$713	\$864	\$986
	<b>3170-5623</b> Cold Water Dispenser 6.73" (17cm) spout height at outlet. 4.74" (12.0cm) spout reach c-c.  Matches Adams Series.	\$511	\$647	\$746
	<b>6-028</b> Universal Traditional Air Gap, Reverse Osmosis	\$184	\$216	\$228
	<b>3170-5613</b> Hot Water Dispenser 6.73" (17cm) spout height at outlet. 4.74" (12.0cm) spout reach (c-c).  HOT WATER TANK #5-036 SOLD SEPARATELY.  Matches Adams Series.	\$628	\$793	\$916
	<b>3180-5603</b> Hot and Cold Water Dispenser 6.35" (16.1cm) spout height at outlet. 4" (10.2 cm) spout reach (c-c).  HOT WATER TANK #5-036 SOLD SEPARATELY.  Matches Seager Series.	\$713	\$864	\$986
	<b>3180-5623</b> Cold Water Dispenser 6.35" (16.1cm) spout height at outlet. 4" (10.2cm) spout reach c-c.  Matches Seager Series.	\$511	\$647	\$746
	<b>6-027</b> Universal Contemporary Air Gap, Reverse Osmosis	\$184	\$216	\$228



	<b>3180-5613</b> Hot Water Dispenser 6.35" (16.1cm) spout height at outlet. 4" (10.2cm) spout reach (c-c).  WATER TANK #5-036 SOLD SEPARATELY. Matches Seager Series.	\$628	\$793	\$916
	<b>3190-5603</b> Hot and Cold Water Dispenser 6.35" (16.1cm) spout height at outlet. 4" (10.2 cm) spout reach (c-c).  HOT WATER TANK #5-036 SOLD SEPARATELY. Matches Heaney Series.	\$713	\$864	\$986
	<b>3190-5623</b> Cold Water Dispenser 6.35" (16.1cm) spout height at outlet. 4" (10.2cm) spout reach c-c.  Matches Heaney Series.	\$511	\$647	\$746
	<b>6-027</b> Universal Contemporary Air Gap, Reverse Osmosis	\$184	\$216	\$228
	<b>3190-5613</b> Hot Water Dispenser 6.35" (16.1cm) spout height at outlet. 4" (10.2cm) spout reach (c-c).  HOT WATER TANK #5-036 SOLD SEPARATELY. Matches Heaney Series.	\$628	\$793	\$916
	<b>3200-5603</b> Hot and Cold Water Dispenser 6.35" (16.1cm) spout height at outlet. 4" (10.2 cm) spout reach (c-c).  HOT WATER TANK #5-036 SOLD SEPARATELY. Matches Jeter Series.	\$713	\$864	\$986
	<b>3200-5623</b> Cold Water Dispenser 6.35" (16.1cm) spout height at outlet. 4" (10.2cm) spout reach (c-c).  Matches Jeter Series.	\$511	\$647	\$746
	<b>6-027</b> Universal Contemporary Air Gap, Reverse Osmosis	\$184	\$216	\$228
	<b>3200-5613</b> Hot Water Dispenser 6.35" (16.1cm) spout height at outlet. 4" (10.2cm) spout reach (c-c).  HOT WATER TANK #5-036 SOLD SEPARATELY. Matches Jeter Series.	\$628	\$793	\$916
	<b>3210-5603</b> Hot and Cold Water Dispenser 6.73" (17cm) spout height at outlet. 4.74" (12.0 cm) spout reach (c-c).  HOT WATER TANK #5-036 SOLD SEPARATELY. Matches Gavin Series.	\$713	\$864	\$986



**3210-5623** Cold Water Dispenser \$511 \$647 \$746  
 6.73" (17cm) spout height at outlet.  
 4.74" (12.0cm) spout reach (c-c).  
 Matches Gavin Series.

**6-028** Universal Traditional Air Gap, Reverse Osmosis \$184 \$216 \$228



**3210-5613** Hot Water Dispenser \$628 \$793 \$916  
 6.73" (17cm) spout height at outlet.  
 4.74" (12.0cm) spout reach (c-c).  
 HOT WATER TANK #5-036 SOLD SEPARATELY.  
 Matches Gavin Series.



**3290-5603** Hot and Cold Water Dispenser \$713 \$864 \$986  
 6.35" (16.1cm) spout height at outlet.  
 4" (10.2cm) spout reach (c-c).  
 HOT WATER TANK #5-036 SOLD SEPARATELY.  
 Matches Muncy Series.



**3290-5623** Cold Water Dispenser \$511 \$647 \$746  
 6.35" (16.1cm) spout height at outlet.  
 4" (10.2cm) spout reach (c-c).  
 Matches Muncy Series.

**6-027** Universal Contemporary Air Gap, Reverse Osmosis \$184 \$216 \$228



**3290-5613** Hot Water Dispenser \$628 \$793 \$916  
 6.35" (16.1cm) spout height at outlet.  
 4" (10.2cm) spout reach (c-c).  
 HOT WATER TANK #5-036 SOLD SEPARATELY.  
 Matches Muncy Series.



**3310-5603** Hot and Cold Water Dispenser \$713 \$864 \$986  
 7" (17.8cm) spout height at outlet.  
 4.74" (12.0cm) spout reach (c-c).  
 HOT WATER TANK #5-036 SOLD SEPARATELY  
 Matches Stripling Series.














**3310-5623** Cold Water Dispenser \$511 \$647 \$746  
 7" (17.8cm) spout height at outlet.  
 4.74" (12.0cm) spout reach (c-c).  
 Matches Stripling Series.

**6-027** Universal Contemporary Air Gap, Reverse Osmosis \$184 \$216 \$228



**3310-5613** Hot Water Dispenser \$628 \$793 \$916  
 7" (17.8cm) spout height at outlet.  
 4.74" (12.0cm) spout reach (c-c).  
 WATER TANK #5-036 SOLD SEPARATELY.  
 Matches Stripling Series.

	<b>106</b>	Hot and Cold Water Dispenser 6.28" (16cm) spout height at outlet. 4" (10.2cm) spout reach (c-c).  HOT WATER TANK #5-036 SOLD SEPARATELY. Matches East Linear & East Square Series.	\$653	\$776	\$895
	<b>106C</b>	Cold Water Dispenser 6.28" (16cm) spout height at outlet. 4" (10.2cm) spout reach (c-c).  Matches East Linear & East Square Series.	\$412	\$500	\$553
	<b>6-027</b>	Universal Contemporary Air Gap, Reverse Osmosis	\$184	\$216	\$228
	<b>106H</b>	Hot Water Dispenser 6.28" (16cm) spout height at outlet. 4" (10.2cm) spout reach (c-c).  HOT WATER TANK #5-036 SOLD SEPARATELY. Matches East Linear & East Square Series.	\$564	\$685	\$790
	<b>107</b>	Hot and Cold Water Dispenser 6.57" (16.7cm) spout height at outlet. 4.8" (12.2cm) spout reach (c-c).  HOT WATER TANK #5-036 SOLD SEPARATELY.	\$653	\$776	\$895
	<b>107C</b>	Cold Water Dispenser 6.57" (16.7cm) spout height at outlet. 4.8" (12.2cm) spout reach (c-c).	\$412	\$500	\$553
	<b>6-028</b>	Universal Traditional Air Gap, Reverse Osmosis	\$184	\$216	\$228
	<b>107H</b>	Hot Water Dispenser 6.57" (16.7cm) spout height at outlet. 4.8" (12.2cm) spout reach (c-c).  HOT WATER TANK #5-036 SOLD SEPARATELY.	\$564	\$685	\$790
	<b>108</b>	Hot and Cold Water Dispenser 5.82" (14.8cm) spout height at outlet. 5.18" (13.2cm) spout reach (c-c).  HOT WATER TANK #5-036 SOLD SEPARATELY.	\$691	\$822	\$946
	<b>108C</b>	Cold Water Dispenser 5.82" (14.8cm) spout height at outlet. 5.18" (13.2cm) spout reach (c-c).	\$415	\$517	\$586
	<b>6-028</b>	Universal Traditional Air Gap, Reverse Osmosis	\$184	\$216	\$228



<b>108H</b>	Hot Water Dispenser 5.82" (14.8cm) spout height at outlet. 5.18" (13.2cm) spout reach (c-c).	\$596	\$758	\$872
-------------	--	-------	-------	-------

HOT WATER TANK #5-036 SOLD SEPARATELY.



<b>5-036</b>	Hot Water Tank Use with parts 106, 106H, 107, 107H, 108, 108H, 1030-5603, 1030-5613, 1200-5603, 1200-5613, 2470-5603, 2470-5613, 2500-5613, 2940-5603, 2940-5613, 3160-5603, 3160-5613, 3170-5603, 3170-5613, 3180-5603, 3180-5613, 3910-5603, 3190-5613, 3200-5603, 3200-5613, 3210-5603, 3210-5613, 3290-5603, 3290-5613, 3310-5603, 3310-5613.	\$641	—	—
--------------	---	-------	---	---

Supplies 60 cups per hour capacity. Temperature range is 140° F to 200° F, 120 volts. Non-Finished Item.

# KITCHEN ACCESSORIES



	<p><b>1030-5711</b> Air Gap Kit IAPMO UPC® listed.</p> <p>Matches Chesterfield &amp; Stripling Series.</p>	\$146	\$191	\$227
	<p><b>100</b> Air Gap Kit IAPMO UPC® listed.</p> <p>Matches East Linear &amp; East Square Series.</p>	\$55	\$69	\$83
	<p><b>2470-5711</b> Air Gap Kit IAPMO UPC® listed.</p> <p>Matches Jacobean Series.</p>	\$146	\$191	\$227
	<p><b>2940-5711</b> Air Gap Kit IAPMO UPC® Listed.</p> <p>Matches Taft Series.</p>	\$146	\$191	\$227
	<p><b>3180-5711</b> Air Gap Kit IAPMO UPC® Listed</p> <p>Matches Adams, Gavin, Heaney, Jeter, Metropole, Muncy, Seager &amp; Zemora Series.</p>	\$146	\$191	\$227
	<p><b>103</b> Faucet Hole Cover. 2" diameter. Solid top. For covering unused hole in sink.</p>	\$39	\$48	\$55



**111** Soft Touch Air Activated Disposer Switch.  
Plugs into a standard 120 VAC wall outlet.

\$220 \$239 \$287



**1500-5811** Soft Touch Air Activated Disposer Switch  
Plugs into a standard 120 VAC wall outlet.  
Contemporary Style.  
Matches East Linear and Seager Series.

\$282 \$382 \$437



**2470-5811** Soft Touch Air Activated Disposer Switch  
Plugs into a standard 120 VAC wall outlet.  
Traditional Style.  
Matches Jacobean and Stripling Series.

\$282 \$382 \$437



**2940-5811** Soft Touch Air Activated Disposer Switch  
Plugs into a standard 120 VAC wall outlet.  
Traditional Style.  
Matches Taft Series.

\$282 \$382 \$437



**3160-5811** Soft Touch Air Activated Disposer Switch  
Plugs into a standard 120 VAC wall outlet.  
Traditional Style.  
Matches Zemora Series.

\$282 \$382 \$437



**3170-5811** Soft Touch Air Activated Disposer Switch  
Plugs into a standard 120 VAC wall outlet.  
Traditional Style.  
Matches Adams Series.

\$282 \$382 \$437











**3190-5811** Soft Touch Air Activated Disposer Switch  
Plugs into a standard 120 VAC wall outlet.  
Transitional Style.  
Matches Heaney and Metropole Series.









\$282 \$382 \$437



**3210-5811** Soft Touch Air Activated Disposer Switch  
Plugs into a standard 120 VAC wall outlet.  
Traditional Style.  
Matches Gavin Series.

\$282 \$382 \$437

	<b>3290-5811</b>	Soft Touch Air Activated Disposer Switch Plugs into a standard 120 VAC wall outlet. Industrial Style.  Matches Muncy Series.	\$282	\$382	\$437
	<b>124</b>	Soap/Lotion Dispenser Includes 2 Porcelain Inserts Soap & Lotion. Requires 1-1/4" to 1-11/16" through hole. Accommodates 2-1/4" maximum deck thickness.	\$226	\$290	\$345
	<b>124-6</b>	Soap/Lotion Replacement Head with Pump	\$160	\$202	\$229
	<b>50931</b>	Soap/Lotion Pump	\$27	—	—
	<b>125-9</b>	Soap/Lotion - Replacement Bottle	\$4	—	—
	<b>125</b>	Soap/Lotion Dispenser Requires 1-1/4" to 1-11/16" through hole. Accommodates 2-1/4" maximum deck thickness.	\$204	\$261	\$305
	<b>125-6</b>	Soap/Lotion Replacement Head with Pump	\$130	\$171	\$193
	<b>50931</b>	Soap/Lotion Pump	\$27	—	—
	<b>125-9</b>	Soap/Lotion - Replacement Bottle	\$4	—	—
	<b>127</b>	Soap/Lotion Dispenser Requires 1-1/4" to 1-11/16" through hole. Accommodates 2-1/4" maximum deck thickness.	\$226	\$290	\$345
	<b>127-6</b>	Soap/Lotion Replacement Head with Pump	\$152	\$193	\$218
	<b>50931</b>	Soap/Lotion Pump	\$27	—	—
	<b>125-9</b>	Soap/Lotion - Replacement Bottle	\$4	—	—
	<b>1030-5721</b>	Soap/Lotion Dispenser Requires 1-1/4" to 1-11/16" through hole. Accommodates 2-3/8" maximum deck thickness.	\$295	\$382	\$437
	<b>20-374</b>	Soap/Lotion Replacement Head	\$180	\$231	\$266
	<b>125-8</b>	Soap/Lotion Pump	\$55	—	—
	<b>125-9</b>	Soap/Lotion - Replacement Bottle	\$4	—	—
		Matches Chesterfield Series.			
	<b>1500-5721</b>	Soap/Lotion Dispenser Requires 1-1/4" to 1-11/16" through hole. Accommodates 2-3/8" maximum deck thickness.	\$295	\$382	\$437
	<b>20-373</b>	Soap/Lotion Replacement Head	\$180	\$231	\$266
	<b>125-8</b>	Soap/Lotion Pump	\$55	—	—
	<b>125-9</b>	Soap/Lotion - Replacement Bottle	\$4	—	—
		Matches East Linear Series.			
	<b>2470-5721</b>	Soap/Lotion Dispenser Requires 1-1/4" to 1-11/16" through hole. Accommodates 2-7/16" maximum deck thickness.	\$295	\$382	\$437
	<b>20-374</b>	Soap/Lotion Replacement Head	\$180	\$231	\$266
	<b>125-8</b>	Soap/Lotion Pump	\$55	—	—
	<b>125-9</b>	Soap/Lotion - Replacement Bottle	\$4	—	—
		Matches Jacobean Series.			
	<b>2500-5721</b>	Soap/Lotion Dispenser Requires 1-1/4" to 1-11/16" through hole. Accommodates 2-1/4" maximum deck thickness.	\$295	\$382	\$437
	<b>20-405</b>	Soap/Lotion Replacement Head	\$180	\$231	\$266
	<b>125-8</b>	Soap/Lotion Pump	\$55	—	—
	<b>125-9</b>	Soap/Lotion - Replacement Bottle	\$4	—	—
		Matches Vespera Series.			

	<b>2940-5721</b>	Soap/Lotion Dispenser Requires 1-1/4" to 1-11/16" through hole. Accommodates 2-3/8" maximum deck thickness.	\$295	\$382	\$437
	<b>20-374</b>	Soap/Lotion Replacement Head	\$180	\$231	\$266
	<b>125-8</b>	Soap/Lotion Pump	\$55	—	—
	<b>125-9</b>	Soap/Lotion - Replacement Bottle	\$4	—	—
Matches Taft Series.					
	<b>3160-5721</b>	Soap/Lotion Dispenser Requires 1-1/4" to 1-11/16" through hole. Accommodates 2-3/8" maximum deck thickness.	\$295	\$382	\$437
	<b>20-373</b>	Soap/Lotion Replacement Head	\$180	\$231	\$266
	<b>125-8</b>	Soap/Lotion Pump	\$55	—	—
	<b>125-9</b>	Soap/Lotion - Replacement Bottle	\$4	—	—
Matches Zemora Series.					
	<b>3170-5721</b>	Soap/Lotion Dispenser Requires 1-1/4" to 1-11/16" through hole. Accommodates 2-3/8" maximum deck thickness.	\$295	\$382	\$437
	<b>20-373</b>	Soap/Lotion Replacement Head	\$180	\$231	\$266
	<b>125-8</b>	Soap/Lotion Pump	\$55	—	—
	<b>125-9</b>	Soap/Lotion - Replacement Bottle	\$4	—	—
Matches Adams Series.					
	<b>3180-5721</b>	Soap/Lotion Dispenser Requires 1-1/4" to 1-11/16" through hole. Accommodates 2-3/8" maximum deck thickness.	\$295	\$382	\$437
	<b>20-373</b>	Soap/Lotion Replacement Head	\$180	\$231	\$266
	<b>125-8</b>	Soap/Lotion Pump	\$55	—	—
	<b>125-9</b>	Soap/Lotion - Replacement Bottle	\$4	—	—
Matches Muncy & Seager Series.					
	<b>3190-5721</b>	Soap/Lotion Dispenser Requires 1-1/4" to 1-11/16" through hole. Accommodates 2-3/8" maximum deck thickness.	\$295	\$382	\$437
	<b>20-373</b>	Soap/Lotion Replacement Head	\$180	\$231	\$266
	<b>125-8</b>	Soap/Lotion Pump	\$55	—	—
	<b>125-9</b>	Soap/Lotion - Replacement Bottle	\$4	—	—
Matches Heaney Series.					
	<b>3200-5721</b>	Soap/Lotion Dispenser Requires 1-1/4" to 1-11/16" through hole. Accommodates 2-3/8" maximum deck thickness.	\$295	\$382	\$437
	<b>20-373</b>	Soap/Lotion Replacement Head	\$180	\$231	\$266
	<b>125-8</b>	Soap/Lotion Pump	\$55	—	—
	<b>125-9</b>	Soap/Lotion - Replacement Bottle	\$4	—	—
Matches Jeter Series.					
	<b>3210-5721</b>	Soap/Lotion Dispenser Requires 1-1/4" to 1-11/16" through hole. Accommodates 2-3/8" maximum deck thickness.	\$295	\$382	\$437
	<b>20-374</b>	Soap/Lotion Replacement Head	\$180	\$231	\$266
	<b>125-8</b>	Soap/Lotion Pump	\$55	—	—
	<b>125-9</b>	Soap/Lotion - Replacement Bottle	\$4	—	—
Matches Gavin Series.					
	<b>3310-5721</b>	Soap/Lotion Dispenser Requires 1-1/4" to 1-11/16" through hole. Accommodates 2-3/8" maximum deck thickness.	\$295	\$382	\$437
	<b>20-373</b>	Soap/Lotion Replacement Head	\$180	\$231	\$266
	<b>125-8</b>	Soap/Lotion Pump	\$55	—	—
	<b>125-9</b>	Soap/Lotion - Replacement Bottle	\$4	—	—
Matches Stripling Series.					











850	SEAPORT	PG <a href="#">252</a>
890	ALVESTON	PG <a href="#">84</a>
910/910C	ASTOR	PG <a href="#">95</a>
920/920C	ASTOR	PG <a href="#">95</a>
930	CHESTERFIELD	PG <a href="#">117</a>
980	AMISA	PG <a href="#">90</a>
990	EAST LINEAR	PG <a href="#">138</a>
1000	FAIRFIELD	PG <a href="#">156</a>
1020	AMISA	PG <a href="#">90</a>
1030	CHESTERFIELD	PG <a href="#">117</a>
1090	ALEXANDRIA	PG <a href="#">80</a>
1200/1200C	METROPOLE	PG <a href="#">212</a>
1220/1220C	METROPOLE	PG <a href="#">212</a>
1230/1230C	METROPOLE	PG <a href="#">212</a>
1400	EAST SQUARE	PG <a href="#">148</a>
1500	EAST LINEAR	PG <a href="#">138</a>
1600/1620	MIRO	PG <a href="#">221</a>
1740	BEVELLE	PG <a href="#">112</a>
1760/1770	VICTORIA	PG <a href="#">302</a>
2040/2060	SECANT	PG <a href="#">258</a>
2400/2410	AYLESBURY	PG <a href="#">104</a>
2420/2430	AYLESBURY	PG <a href="#">104</a>
2440/2450	SUTTON	PG <a href="#">278</a>
2460/2470	JACOBAN	PG <a href="#">174</a>
2480	PRIYA	PG <a href="#">246</a>
2490	KEATON	PG <a href="#">187</a>
2540	METRO	PG <a href="#">205</a>
2550	ITHACA	PG <a href="#">168</a>
2560/2560C	SKYLAR	PG <a href="#">265</a>
2570	JOFFREY	PG <a href="#">182</a>
2910	VANDER	PG <a href="#">297</a>
2920/2930	SLATER	PG <a href="#">272</a>
2950/2960	SLATER	PG <a href="#">272</a>
2940/2940C	TAFT	PG <a href="#">285</a>
2970/2980	DORRANCE	PG <a href="#">132</a>
2990/2990C	SKYLAR	PG <a href="#">265</a>
3100/3110	PAVANI	PG <a href="#">240</a>
3120	KIRSI	PG <a href="#">193</a>
3140/3150	MALVINA	PG <a href="#">199</a>
3230/3240	PARDEES	PG <a href="#">234</a>
3250/3260	CLEMENS	PG <a href="#">126</a>
3270/3280	GRIFFEY	PG <a href="#">162</a>
3290/3300	MUNCY	PG <a href="#">228</a>
3360/3370	MUNCY	PG <a href="#">228</a>
3320/3320C	TOLMIN	PG <a href="#">290</a>
3330/3330C	TOLMIN	PG <a href="#">290</a>
3380/3390	TOLMIN	PG <a href="#">290</a>
3400/3410	TOLMIN	PG <a href="#">290</a>

NEWPORT BRASS®

Bath



	<b>1099</b>	Bidet Set 1/2" valves. Includes Bottom Spray with vacuum breaker, 4 hole mount bidet.	\$1,995	\$2,795	\$3,356
	<b>3-873TR</b>	1/2" Thermostatic Trim Plate with Handles Integrated diverter handle with independent temperature control. <b>MUST ORDER VALVE SEPARATELY.</b>	\$587	\$789	\$905
	<b>1-741</b> <b>1-742</b> <b>1-743</b> <b>1-744</b> <b>1-745</b>	1/2" Thermostatic Rough-in Valve 1-Port 1/2" Thermostatic Rough-in Valve 2-Port** 1/2" Thermostatic Rough-in Valve 3-Port - Shared 1/2" Thermostatic Rough-in Valve 3-Port** 1/2" Thermostatic Rough-in Valve 2-Port - Shared See page 348 for more details.	\$524 \$627 \$686 \$686 \$627	— — — — —	— — — — —
	<b>20-146</b>	1/2" Valve Trim Extension Kit Extends 1-3/8". Specify finish.	\$273	\$368	\$423
	<b>3-874TR</b>	3/4" Thermostatic Trim Plate with Handle <b>MUST ORDER VALVE SEPARATELY.</b>	\$503	\$653	\$754
	<b>1-540</b>	3/4" Thermostatic Rough-in Valve Flow rate of 18 gallons per minute at 60 PSI. Factory calibrated comfort setting at 100-deg F, built-in check valves with service stops. IAPMO Listed. Meets ASSE Standard 1016. <b>MUST USE WITH SEPARATE STOP/VOLUME CONTROL</b>	\$794	—	—
	<b>2-260</b>	3/4" Valve trim extension kit Extends 1-3/8". Please specify finish.	\$190	\$259	\$311
	<b>3-248</b>	Diverter/Flow Control Trim Use with stop or diverter valves, see page 355.	\$354	\$494	\$593

ALEXANDRIA - 1090

\*\*Cal Green compliant



<b>1-606U</b>	1/2" inlet/outlet universal stop valve. (clockwise off, for cross or lever handle)	\$195	—	—
<b>1-607U</b>	3/4" inlet/outlet universal stop valve. (clockwise off, for cross or lever handle)	\$265	—	—



<b>1-617</b>	1/2" In-wall 2 & 3 way diverter valve 1 inlet, 3 outlets.**	\$279	—	—
--------------	--	-------	---	---

1/2" in-wall diverter valves\* with:



\*SEE PAGES 312-315  
FOR HOW TO USE  
THESE DIVERTERS.

<b>1-701</b>	3 function with off. 1 inlet, 3 outlets.**	\$334	—	—
<b>1-702</b>	5 function with share and off. 1 inlet, 3 outlets.	\$334	—	—
<b>1-703</b>	3 function with pause. 1 inlet, 3 outlets.**	\$334	—	—
<b>1-704</b>	2 function with off. 1 inlet, 2 outlets.**	\$334	—	—
<b>1-705</b>	3 function with share and off. 1 inlet, 2 outlets.	\$334	—	—
<b>1-706</b>	2 function with pause. 1 inlet, 2 outlets.**	\$334	—	—
<b>1-707</b>	3 function with share (no off). 1 inlet, 2 outlets.	\$334	—	—



<b>22-01</b>	18" Towel Bar	\$300	\$392	\$422
<b>22-02</b>	24" Towel Bar	\$314	\$408	\$444



<b>22-09</b>	Towel Ring	\$208	\$262	\$284
--------------	------------	-------	-------	-------



<b>22-13</b>	Double Robe Hook	\$190	\$247	\$265
--------------	------------------	-------	-------	-------



<b>22-27</b>	Single Post Toilet Tissue Holder	\$314	\$408	\$444
--------------	----------------------------------	-------	-------	-------



22-28	Tissue Holder	\$314	\$408	\$444
-------	---------------	-------	-------	-------

**HOW TO ORDER:** **STEP 1:** Select Decorative Rings and Mounting Kit  
**STEP 2:** Select Grab Bar Tube



<b>STEP 1:</b>	1020-2400	Decorative Rings and Mounting Kit	\$160	\$218	\$274
----------------	-----------	-----------------------------------	-------	-------	-------



<b>STEP 2:</b>	5080	12" Grab Bar Tube	\$140	\$206	\$230
	5081	16" Grab Bar Tube	\$166	\$233	\$293
	5082	18" Grab Bar Tube	\$187	\$260	\$285
	5083	24" Grab Bar Tube	\$224	\$301	\$347
	5085	36" Grab Bar Tube	\$330	\$410	\$485



1020-3942	42" Grab Bar	\$599	\$781	\$944
-----------	--------------	-------	-------	-------

Sold as complete unit



# ALVESTON

890



LAVATORY FAUCETS | TUB & SHOWER | ACCESSORIES | GRAB BARS



**890** Widespread Lavatory Faucet.  
1/2" valves. Spout c-c 6.12". 8" centers. \$926 \$1,252 \$1,507



**3-922BP** BP Tub & Shower Set  
MUST ORDER VALVE SEPARATELY. \$875 \$1,134 \$1,309



**1-685** Newport Brass BP Valve with diverter, 4 port with service stops, universal 1/2" NPT & direct sweat connections. \$384 — —



**5-922BP** BP Tub & Shower Trim  
Less tub spout, showerhead, arm and flange.  
MUST ORDER VALVE SEPARATELY. \$450 \$586 \$677



**1-685** Newport Brass BP Valve with diverter, 4 port with service stops, universal 1/2" NPT & direct sweat connections. \$384 — —

See Shower & Drain Sections to complete shower.



**3-924BP** BP Shower Set  
MUST ORDER VALVE SEPARATELY. \$666 \$863 \$998



**1-684** Newport Brass BP Valve, 3 port with service stops, universal 1/2" NPT & direct sweat connections. \$278 — —














**4-924BP** BP Shower Trim  
Less showerhead, arm and flange.  
MUST ORDER VALVE SEPARATELY. \$359 \$468 \$542

**1-684** Newport Brass BP Valve, 3 port with service stops, universal 1/2" NPT & direct sweat connections. \$278 — —

See Shower & Drain Sections to complete shower.



**2-144** Tub Spout  
1/2" NPT inlet fitting.  
7.56" spout overall length. \$230 \$312 \$358

	<b>3-925</b>	Wall Mount Tub Faucet MUST ORDER VALVES SEPARATELY.	\$761	\$990	\$1,142
	<b>1-500U</b>	2-valve rough with 1/2" NPT inlets & outlet.	\$358	—	—
	<b>3-896</b>	Roman Tub Faucet Spout c-c 9.44". MUST ORDER VALVES SEPARATELY.	\$1,036	\$1,350	\$1,559
	<b>1-506</b>	3/4" valve for above, quick connect included.	\$438	—	—
	<b>3-897</b>	Roman Tub Faucet with Handshower Spout c-c 9.44". MUST ORDER VALVES SEPARATELY.	\$1,398	\$1,818	\$2,097
	<b>1-507</b>	3/4" valve for above. Includes hose and quick connect.	\$883	—	—
	<b>920-4272</b>	Exposed Tub and Hand Shower Set - Deck Mount 7.25" centers. Spout c-c 9.11". Includes: 281 Hand Shower	\$1,805	\$2,300	\$2,795
	<b>920-4282</b>	Exposed Tub and Hand Shower Set - Wall Mount 6" centers. Spout c-c 7". Includes: 281 Hand Shower Floor-mount kit item 3-196 or 3-226 sold separately.	\$1,723	\$2,214	\$2,683
	<b>3-196</b>	Floor Mount Kit for Exposed Tub Sets Set includes: 2 each Floor Flanges 2 each 3/4" Risers - 31" high. Stabilizer kit sold separately.	\$637	\$888	\$1,066
	<b>3-226</b>	Same as above only 24" high.	\$612	\$855	\$1,029
	<b>3-192</b>	3/4" Shut-off Valves for above (1 pair hot & cold).	\$896	\$1,065	\$1,278
	<b>1-378</b>	Optional Rough For Exposed Tub Filler For subfloor or concrete floor installations. 3.65" overall height. 10.38" x 5" overall base size. Universal 1/2" NPT connections. Test caps included. For use with 3-196 or 3-226 tub risers.	\$440	—	—
	<b>2-734</b>	Stabilizer Kit for Exposed Tub Floor Riser Kits Adjustable for risers that are 6" to 9" apart. Includes 1-1/2" finished ring for connecting kit to tub overflow pipe. Finished plate for wall mounting up to 10" center of riser pipes.	\$314	\$406	\$435

	<p><b>929</b></p>	<p>Bidet Set 1/2" valves. Includes Bottom Spray, with vacuum breaker, 4 hole mount bidet.</p>	<p>\$1,585</p>	<p>\$2,217</p>	<p>\$2,662</p>
	<p><b>3-923TR</b></p>	<p>1/2" Thermostatic Trim Plate with Handles Integrated diverter handle with independent temperature control. MUST ORDER VALVE SEPARATELY.</p>	<p>\$587</p>	<p>\$789</p>	<p>\$905</p>
	<p><b>3-923TS</b></p>	<p>1/2" Thermostatic Trim Plate with Handles Integrated diverter handle with independent temperature control. MUST ORDER VALVE SEPARATELY.</p>	<p>\$628</p>	<p>\$834</p>	<p>\$960</p>
<p><b>1-741</b></p>	<p><b>1-741</b></p>	<p>1/2" Thermostatic Rough-in Valve 1-Port</p>	<p>\$524</p>	<p>—</p>	<p>—</p>
	<p><b>1-742</b></p>	<p>1/2" Thermostatic Rough-in Valve 2-Port**</p>	<p>\$627</p>	<p>—</p>	<p>—</p>
	<p><b>1-743</b></p>	<p>1/2" Thermostatic Rough-in Valve 3-Port - Shared</p>	<p>\$686</p>	<p>—</p>	<p>—</p>
	<p><b>1-744</b></p>	<p>1/2" Thermostatic Rough-in Valve 3-Port**</p>	<p>\$686</p>	<p>—</p>	<p>—</p>
	<p><b>1-745</b></p>	<p>1/2" Thermostatic Rough-in Valve 2-Port - Shared</p>	<p>\$627</p>	<p>—</p>	<p>—</p>
<p>See page 348 for more details.</p>					
	<p><b>20-146</b></p>	<p>1/2" Valve Trim Extension Kit Extends 1-3/8". Please specify finish.</p>	<p>\$273</p>	<p>\$368</p>	<p>\$423</p>
	<p><b>3-924TR</b></p>	<p>3/4" Thermostatic Trim Plate with Handle MUST ORDER VALVE SEPARATELY.</p>	<p>\$480</p>	<p>\$624</p>	<p>\$719</p>
	<p><b>1-540</b></p>	<p>3/4" Thermostatic Rough-in Valve Flow rate of 18 gallons per minute at 60 PSI. Factory calibrated comfort setting at 100-deg F, built-in check valves with service stops. IAPMO Listed. Meets ASSE Standard 1016. MUST USE WITH SEPARATE STOP/VOLUME CONTROL</p>	<p>\$794</p>	<p>—</p>	<p>—</p>
	<p><b>2-260</b></p>	<p>3/4" Valve trim extension kit Extends 1-3/8". Please specify finish.</p>	<p>\$190</p>	<p>\$259</p>	<p>\$311</p>

\*\*Cal Green compliant





**3-163** Diverter/Flow Control Trim. Arrow insert.  
**3-163B** Diverter/Flow Control Trim. Plain insert.  
 Use with stop or diverter valves, see page 355.

\$210 \$293 \$353  
 \$210 \$293 \$353



**1-606U** 1/2" inlet/outlet universal stop valve.  
 (clockwise off, for cross or lever handle)

\$195 — —



**1-607U** 3/4" inlet/outlet universal stop valve.  
 (clockwise off, for cross or lever handle)

\$265 — —



**1-617** 1/2" In-wall 2 & 3 way diverter valve  
 1 inlet, 3 outlets.\*\*

\$279 — —

1/2" in-wall diverter valves\* with:



\*SEE PAGES 312-315  
 FOR HOW TO USE  
 THESE DIVERTERS.

**1-701** 3 function with off. 1 inlet, 3 outlets.\*\*  
**1-702** 5 function with share and off. 1 inlet, 3 outlets.  
**1-703** 3 function with pause. 1 inlet, 3 outlets.\*\*  
**1-704** 2 function with off. 1 inlet, 2 outlets.\*\*  
**1-705** 3 function with share and off. 1 inlet, 2 outlets.  
**1-706** 2 function with pause. 1 inlet, 2 outlets.\*\*  
**1-707** 3 function with share (no off). 1 inlet, 2 outlets.

\$334 — —  
 \$334 — —  
 \$334 — —  
 \$334 — —  
 \$334 — —  
 \$334 — —  
 \$334 — —



**890-1230** 18" Towel Bar

\$208 \$253 \$304

**890-1250** 24" Towel Bar

\$227 \$269 \$324



**890-1400** Towel Ring - Open

\$192 \$230 \$277



**890-1410** Towel Ring

\$154 \$185 \$222

ALVESTON - 890



**890-1650** Single Robe Hook \$68 \$83 \$99



**890-1660** Double Robe Hook \$138 \$166 \$199



**890-1510** Hanging Toilet Tissue Holder \$192 \$230 \$277



**890-1500** Double Post Toilet Tissue Holder \$204 \$248 \$297

**HOW TO ORDER:** **STEP 1:** Select Decorative Rings and Mounting Kit  
**STEP 2:** Select Grab Bar Tube



**STEP 1:** **920-2400** Decorative Rings and Mounting Kit \$160 \$218 \$274

**STEP 2:**


<b>5080</b>	12" Grab Bar Tube	\$140	\$206	\$230
<b>5081</b>	16" Grab Bar Tube	\$166	\$233	\$293
<b>5082</b>	18" Grab Bar Tube	\$187	\$260	\$285
<b>5083</b>	24" Grab Bar Tube	\$224	\$301	\$347
<b>5085</b>	36" Grab Bar Tube	\$330	\$410	\$485



Sold as complete unit

**920-3942** 42" Grab Bar \$599 \$781 \$944





Available Finishes:		PC	PN SN
<b>1101</b>	12" Towel Bar	\$197	\$233
<b>G1104</b>	32" Towel Bar	\$260	\$312



Available Finishes:		PC	PN SN
<b>1122-18</b>	18" Double Towel Bar	\$419	\$501
<b>1122-24</b>	24" Double Towel Bar	\$451	\$541
<b>1122-32</b>	32" Double Towel Bar	\$454	NA



Available Finishes:		PC	PN SN
<b>1107</b>	Spare Toilet Tissue Holder	\$183	\$221



Available Finishes:		PC	PN SN
<b>1108D</b>	Double Post Tissue Holder	\$348	\$420



Available Finishes:		PC	PN SN
<b>1127</b>	Hooded Toilet Tissue Holder	\$219	\$262



Available Finishes:		PC	PN SN
<b>1118T-18</b>	18" Shelf	\$322	\$385




Available Finishes:		PC	PN SN
<b>1135T-18</b>	18" Gallery Shelf	\$441	\$528
<b>1135T-24</b>	24" Gallery Shelf	\$498	NA



IMPORTANT: Order (1) Mounting Kit plus (1) Frame to make a complete unit.

Available Finishes:		PC	PN SN
<b>114B</b>	Hotel Shelf Mounting Kit	\$137	\$164
<b>XX43-20</b>	20" Hotel Shelf Frame with Towel Bar	\$306	\$366
<b>XX43-24</b>	24" Hotel Shelf Frame with Towel Bar	\$326	\$387



IMPORTANT: Order (1) Mounting Kit plus (1) Frame to make a complete unit.


Available Finishes:		PC	PN SN
<b>114B</b>	Hotel Shelf Mounting Kit	\$137	\$164
<b>XX43S-20</b>	20" Hotel Shelf Frame with Towel Bar, Squared Corners	\$384	\$463
<b>XX43S-24</b>	24" Hotel Shelf Frame with Towel Bar, Squared Corners	\$415	\$497



Available Finishes:		PC	PN SN
<b>1181</b>	Single Light with Nightlight Option, Satin Etched Glass	\$429	\$513



Available Finishes:		PC	PN SN
<b>1182</b>	Double Light Satin Etched Glass	\$655	\$765



\*\*Mirror tilts 4.5° with mechanism.

Available Finishes:		PC	PN SN
<b>1141</b>	Framed Mirror 20.39" x 35" overall	\$748	\$859
<b>MTM-009</b>	Tilting Mechanism Optional**	\$88	\$88





# AMISA

980 | 1020



LAVATORY FAUCETS | TUB & SHOWER | TANK LEVER | ACCESSORIES | GRAB BARS

	<p><b>1020</b></p>	<p>Widespread Lavatory Faucet 1/2" valves. Spout c-c 6.12". 8" centers.</p>	<p>\$895</p>	<p>\$1,233</p>	<p>\$1,475</p>
	<p><b>980</b></p>	<p>Widespread Lavatory Faucet 1/2" valves. Spout c-c 4.75". 8" centers.</p>	<p>\$878</p>	<p>\$1,233</p>	<p>\$1,475</p>
	<p><b>5-982BP</b></p>	<p>BP Tub &amp; Shower Trim Less tub spout, showerhead, arm and flange. MUST ORDER VALVE SEPARATELY.</p>	<p>\$569</p>	<p>\$741</p>	<p>\$855</p>
	<p><b>1-685</b></p>	<p>Newport Brass BP Valve with diverter, 4 port with service stops, universal 1/2" NPT &amp; direct sweat connections. <b>See Shower &amp; Drain Sections to complete shower.</b></p>	<p>\$384</p>	<p>—</p>	<p>—</p>
	<p><b>3-984BP</b></p>	<p>BP Shower Set MUST ORDER VALVE SEPARATELY.</p>	<p>\$783</p>	<p>\$1,016</p>	<p>\$1,176</p>
	<p><b>1-684</b></p>	<p>Newport Brass BP Valve, 3 port with service stops, universal 1/2" NPT &amp; direct sweat connections.</p>	<p>\$278</p>	<p>—</p>	<p>—</p>
	<p><b>4-984BP</b></p>	<p>BP Shower Trim Less showerhead, arm and flange. MUST ORDER VALVE SEPARATELY.</p>	<p>\$480</p>	<p>\$624</p>	<p>\$719</p>
	<p><b>2-250</b></p>	<p>Tub Spout 1/2" NPT inlet fitting. 6.29" spout overall length.</p>	<p>\$240</p>	<p>\$326</p>	<p>\$373</p>

	<b>3-985</b>	Wall Mount Tub Faucet MUST ORDER VALVES SEPARATELY.	\$719	\$933	\$1,078
	<b>1-500U</b>	2-valve rough with 1/2" NPT inlets & outlet.	\$358	—	—
	<b>3-1026</b>	Roman Tub Faucet Spout c-c 9.44". MUST ORDER VALVES SEPARATELY.	\$1,199	\$1,559	\$1,798
	<b>1-506</b>	3/4" valve for above with quick connect.	\$438	—	—
	<b>3-1027</b>	Roman Tub Faucet with Handshower Spout c-c 9.44". MUST ORDER VALVES SEPARATELY.	\$1,559	\$2,028	\$2,336
	<b>1-507</b>	3/4" valve for above. Includes hose and quick connect.	\$883	—	—
	<b>1020-4273</b>	Exposed Tub and Hand Shower Set - Deck Mount 7.25" centers. Spout c-c 9.11". Includes: 281 Hand Shower	\$1,805	\$2,300	\$2,795
	<b>1020-4283</b>	Exposed Tub and Hand Shower Set - Wall Mount 6" centers. Spout c-c 7". Includes: 281 Hand Shower Floor-mount kit item 3-196 or 3-226 sold separately.	\$1,723	\$2,214	\$2,683
	<b>3-196</b>	Floor Mount Kit for Exposed Tub Sets Set includes: 2 each Floor Flanges 2 each 3/4" Risers - 31" high. Stabilizer kit sold separately.	\$637	\$888	\$1,066
	<b>3-226</b>	Same as above only 24" high.	\$612	\$855	\$1,029
	<b>3-192</b>	3/4" Shut-off Valves for above (1 pair hot & cold).	\$896	\$1,065	\$1,278
	<b>1-378</b>	Optional Rough For Exposed Tub Filler For subfloor or concrete floor installations. 3.65" overall height. 10.38" x 5" overall base size. Universal 1/2" NPT connections. Test caps included. For use with 3-196 or 3-226 tub risers.	\$440	—	—
	<b>2-734</b>	Stabilizer Kit for Exposed Tub Floor Riser Kits Adjustable for risers that are 6" to 9" apart. Includes 1-1/2" finished ring for connecting kit to tub overflow pipe. Finished plate for wall mounting up to 10" center of riser pipes.	\$314	\$406	\$435

AMISA - 980, 1020



**989** Bidet Set  
1/2" valves. Includes Bottom Spray with vacuum breaker, 4 hole mount bidet.

\$1,697 \$2,376 \$2,853



**3-803TR** 1/2" Thermostatic Trim Plate with Handles  
Integrated diverter handle with independent temperature control.  
**MUST ORDER VALVE SEPARATELY.**

\$587 \$789 \$905



**1-741**

**1-741** 1/2" Thermostatic Rough-in Valve 1-Port \$524  
**1-742** 1/2" Thermostatic Rough-in Valve 2-Port\*\* \$627  
**1-743** 1/2" Thermostatic Rough-in Valve 3-Port - Shared \$686  
**1-744** 1/2" Thermostatic Rough-in Valve 3-Port\*\* \$686  
**1-745** 1/2" Thermostatic Rough-in Valve 2-Port - Shared \$627  
See page 348 for more details.

— —  
— —  
— —  
— —  
— —



**20-146** 1/2" Valve Trim Extension Kit  
Extends 1-3/8". Please specify finish.

\$273 \$368 \$423



**3-804TR** 3/4" Thermostatic Trim Plate with Handle  
**MUST ORDER VALVE SEPARATELY.**

\$480 \$624 \$719



**1-540** 3/4" Thermostatic Rough-in Valve  
Flow rate of 18 gallons per minute at 60 PSI.  
Factory calibrated comfort setting at 100-deg F,  
built-in check valves with service stops.  
IAPMO Listed. Meets ASSE Standard 1016.  
**MUST USE WITH SEPARATE STOP/VOLUME CONTROL**

\$794 — —



**2-260** 3/4" Valve trim extension kit  
Extends 1-3/8". Please specify finish.

\$190 \$259 \$311



**3-188H** Diverter/Flow Control Trim  
Use with stop or diverter valves, see page 355.

\$336 \$471 \$566

\*\*Cal Green compliant



<b>1-606U</b>	1/2" inlet/outlet universal stop valve. (clockwise off, for cross or lever handle)	\$195	—	—
<b>1-607U</b>	3/4" inlet/outlet universal stop valve. (clockwise off, for cross or lever handle)	\$265	—	—



<b>1-617</b>	1/2" In-wall 2 & 3 way diverter valve 1 inlet, 3 outlets.**	\$279	—	—
--------------	--	-------	---	---



\*SEE PAGES 312-315 FOR HOW TO USE THESE DIVERTERS.

1/2" in-wall diverter valves\* with:

<b>1-701</b>	3 function with off. 1 inlet, 3 outlets.**	\$334	—	—
<b>1-702</b>	5 function with share and off. 1 inlet, 3 outlets.	\$334	—	—
<b>1-703</b>	3 function with pause. 1 inlet, 3 outlets.**	\$334	—	—
<b>1-704</b>	2 function with off. 1 inlet, 2 outlets.**	\$334	—	—
<b>1-705</b>	3 function with share and off. 1 inlet, 2 outlets.	\$334	—	—
<b>1-706</b>	2 function with pause. 1 inlet, 2 outlets.**	\$334	—	—
<b>1-707</b>	3 function with share (no off). 1 inlet, 2 outlets.	\$334	—	—



<b>15-01</b>	18" Towel Bar	\$273	\$355	\$385
<b>15-02</b>	24" Towel Bar	\$289	\$373	\$400



<b>15-09</b>	Towel Ring	\$201	\$261	\$300
--------------	------------	-------	-------	-------



<b>15-13</b>	Double Robe Hook	\$190	\$247	\$265
--------------	------------------	-------	-------	-------



<b>15-27</b>	Hanging Toilet Tissue Holder	\$289	\$340	\$400
--------------	------------------------------	-------	-------	-------



15-28	Double Post Toilet Tissue Holder	\$289	\$373	\$400
-------	----------------------------------	-------	-------	-------

**HOW TO ORDER:** **STEP 1:** Select Decorative Rings and Mounting Kit  
**STEP 2:** Select Grab Bar Tube



<b>STEP 1:</b>	1020-2400	Decorative Rings and Mounting Kit	\$160	\$218	\$274
----------------	-----------	-----------------------------------	-------	-------	-------



<b>STEP 2:</b>	5080	12" Grab Bar Tube	\$140	\$206	\$230
	5081	16" Grab Bar Tube	\$166	\$233	\$293
	5082	18" Grab Bar Tube	\$187	\$260	\$285
	5083	24" Grab Bar Tube	\$224	\$301	\$347
	5085	36" Grab Bar Tube	\$330	\$410	\$485



1020-3942	42" Grab Bar	\$599	\$781	\$944
-----------	--------------	-------	-------	-------

Sold as complete unit






# ASTOR

## 910 | 920



LAVATORY FAUCETS | TUB & SHOWER | TANK LEVER | ACCESSORIES | GRAB BARS

 	<b>910</b>	Widespread Lavatory Faucet. Lever Handles. 1/2" valves. Spout c-c 5.62". 8" centers.	\$860	\$1,206	\$1,447
 	<b>910C</b>	Widespread Lavatory Faucet Lever handles. 1/2" valves. Spout c-c 5.82". 8" centers.	\$995	\$1,295	\$1,490
 	<b>920</b>	Widespread Lavatory Faucet. Cross Handles. 1/2" valves. Spout c-c 5.62". 8" centers.	\$860	\$1,206	\$1,447
 	<b>920C</b>	Widespread Lavatory Faucet Cross handles. 1/2" valves. Spout c-c 5.82". 8" centers.	\$995	\$1,295	\$1,490
 	<b>9203</b>	Single Hole Lavatory Faucet Overall height 10.63". Spout c-c 6.20". Spout height from base 4.59". Includes pop-up assembly. Does not work with #101 cover plate.	\$1,023	\$1,391	\$1,597
 	<b>9208</b>	Single Hole Vessel Faucet Overall height 13.44". Spout c-c 6.20". Spout height from base 7.44". Drain not included. For lavatory sink drains see Brasstech # 330, 3301, 3302 or 3303. For bar sink drains, see Brasstech # 130 or 131. Does not work with #101 cover plate.	\$1,117	\$1,500	\$1,724

ASTOR - 910, 920



**3-911** Wall Mount Lavatory Faucet  
Lever handles. Spout c-c 7.50".  
8" centers. Drain not included. See  
Brasstech #330, 3301, 3302 or 3303.  
MUST ORDER VALVE SEPARATELY.

**1-532U** 2-valve rough with 1/2" NPT inlets & outlet. \$358 — —



**3-921** Wall Mount Lavatory Faucet  
Cross handles. Spout c-c 7.50".  
8" centers. Drain not included. See  
Brasstech #330, 3301, 3302 or 3303.  
MUST ORDER VALVE SEPARATELY.

**1-532U** 2-valve rough with 1/2" NPT inlets & outlet. \$358 — —



**3-912BP** BP Tub & Shower Set. Lever Handle.  
MUST ORDER VALVE SEPARATELY. \$875 \$1,134 \$1,309

**1-685** Newport Brass BP Valve with diverter, 4 port with  
service stops, universal 1/2" NPT & direct sweat  
connections. \$384 — —



**5-912BP** BP Tub & Shower Trim. Lever Handle.  
Less tub spout, showerhead, arm and flange.  
MUST ORDER VALVE SEPARATELY. \$450 \$586 \$677

**1-685** Newport Brass BP Valve with diverter, 4 port with  
service stops, universal 1/2" NPT & direct sweat  
connections. \$384 — —

**See Shower & Drain Sections to complete shower.**



**3-922BP** BP Tub & Shower Set. Cross Handle.  
MUST ORDER VALVE SEPARATELY. \$875 \$1,134 \$1,309

**1-685** Newport Brass BP Valve with diverter, 4 port with  
service stops, universal 1/2" NPT & direct sweat  
connections. \$384 — —



**5-922BP** BP Tub & Shower Trim. Cross Handle.  
Less tub spout, showerhead, arm and flange.  
MUST ORDER VALVE SEPARATELY. \$450 \$586 \$677

**1-685** Newport Brass BP Valve with diverter, 4 port with  
service stops, universal 1/2" NPT & direct sweat  
connections. \$384 — —

**See Shower & Drain Sections to complete shower.**



**3-914BP** BP Shower Set. Lever Handle.  
MUST ORDER VALVE SEPARATELY. \$666 \$863 \$998

**1-684** Newport Brass BP Valve, 3 port with service stops,  
universal 1/2" NPT & direct sweat connections. \$278 — —



**4-914BP** BP Shower Trim. Lever Handle.  
Less showerhead, arm and flange.  
MUST ORDER VALVE SEPARATELY. \$359 \$468 \$542

**1-684** Newport Brass BP Valve, 3 port with service stops,  
universal 1/2" NPT & direct sweat connections. \$278 — —

**See Shower & Drain Sections to complete shower.**

	<b>3-924BP</b>	BP Shower Set. Cross Handle. MUST ORDER VALVE SEPARATELY.	\$666	\$863	\$998
	<b>1-684</b>	Newport Brass BP Valve, 3 port with service stops, universal 1/2" NPT & direct sweat connections.	\$278	—	—
	<b>4-924BP</b>	BP Shower Trim. Cross Handle. Less showerhead, arm and flange. MUST ORDER VALVE SEPARATELY.	\$359	\$468	\$542
	<b>1-684</b>	Newport Brass BP Valve, 3 port with service stops, universal 1/2" NPT & direct sweat connections. <b>See Shower &amp; Drain Sections to complete shower.</b>	\$278	—	—
	<b>2-144</b>	Tub Spout 1/2" NPT inlet fitting. 7.56" spout overall length.	\$230	\$312	\$358
	<b>3-915</b>	Wall Mount Tub Faucet. Lever Handles. MUST ORDER VALVES SEPARATELY.	\$761	\$990	\$1,142
	<b>1-500U</b>	2-valve rough with 1/2" NPT inlets & outlet.	\$358	—	—
	<b>3-925</b>	Wall Mount Tub Faucet. Cross Handles. MUST ORDER VALVES SEPARATELY.	\$761	\$990	\$1,142
	<b>1-500U</b>	2-valve rough with 1/2" NPT inlets & outlet.	\$358	—	—
	<b>3-916</b>	Roman Tub Faucet. Lever Handles. Spout c-c 9.27". MUST ORDER VALVES SEPARATELY.	\$1,036	\$1,350	\$1,559
	<b>1-502</b>	3/4" valve for above, quick connect included.	\$438	—	—
	<b>3-926</b>	Roman Tub Faucet. Cross Handles. Spout c-c 9.27". MUST ORDER VALVES SEPARATELY.	\$1,036	\$1,350	\$1,559
	<b>1-502</b>	3/4" valve for above, quick connect included.	\$438	—	—
	<b>3-917</b>	Roman Tub Faucet with Handshower. Lever Handles. Spout c-c 9.27". MUST ORDER VALVES SEPARATELY.	\$1,398	\$1,818	\$2,097
	<b>1-503</b>	3/4" valve for above. Includes hose and quick connect.	\$883	—	—

ASTOR - 910, 920



**3-927** Roman Tub Faucet with Handshower. Cross Handles. Spout c-c 9.27".  
MUST ORDER VALVES SEPARATELY.

\$1,398 \$1,818 \$2,097



**1-503** 3/4" valve for above. Includes hose and quick connect.

\$883 — —



**920-4272** Exposed Tub and Hand Shower Set - Deck Mount Cross Handles.  
7.25" centers. Spout c-c 9.11".  
Includes: 281 Hand Shower

\$1,805 \$2,300 \$2,795



**910-4273** Exposed Tub and Hand Shower Set - Deck Mount Lever Handles.  
7.25" centers. Spout c-c 9.11".  
Includes: 281 Hand Shower

\$1,805 \$2,300 \$2,795



**920-4282** Exposed Tub and Hand Shower Set - Wall Mount Cross Handles.  
6" centers. Spout c-c 7".  
Includes: 281 Hand Shower  
Floor-mount kit item 3-196 or 3-226 sold separately.

\$1,723 \$2,214 \$2,683



**910-4283** Exposed Tub and Hand Shower Set - Wall Mount Lever Handles.  
6" centers. Spout c-c 7".  
Includes: 281 Hand Shower  
No. 284, 59" Hose. Floor-mount kit item 3-196 or 3-226 sold separately.

\$1,723 \$2,214 \$2,683



**3-196** Floor Mount Kit for Exposed Tub Sets  
Set includes: 2 each Floor Flanges  
2 each 3/4" Risers - 31" high.  
Stabilizer kit sold separately.

\$637 \$888 \$1,066

**3-226** Same as above only 24" high.

\$612 \$855 \$1,029

**3-192** 3/4" Shut-off Valves for above (1 pair hot & cold).

\$896 \$1,065 \$1,278



**1-378** Optional Rough For Exposed Tub Filler  
For subfloor or concrete floor installations.  
3.65" overall height.  
10.38" x 5" overall base size.  
Universal 1/2" NPT connections. Test caps included.  
For use with 3-196 or 3-226 tub risers.









\$440 — —



**2-734** Stabilizer Kit for Exposed Tub Floor Riser Kits  
Adjustable for risers that are 6" to 9" apart.  
Includes 1-1/2" finished ring for connecting kit to tub overflow pipe. Finished plate for wall mounting up to 10" center of riser pipes.

\$314 \$406 \$435

Wall Mount Plate

	<p><b>929</b></p>	<p>Bidet Set. Cross Handles. 1/2" valves. Includes bottom spray with vacuum breaker, 4 hole mount bidet.</p>	<p>\$1,585</p>	<p>\$2,217</p>	<p>\$2,662</p>
	<p><b>3-913TR</b></p>	<p>1/2" Thermostatic Trim Plate with Handles Integrated diverter handle with independent temperature control.  MUST ORDER VALVE SEPARATELY.</p>	<p>\$587</p>	<p>\$789</p>	<p>\$905</p>
	<p><b>3-923TR</b></p>	<p>1/2" Thermostatic Trim Plate with Handles Integrated diverter handle with independent temperature control.  MUST ORDER VALVE SEPARATELY.</p>	<p>\$587</p>	<p>\$789</p>	<p>\$905</p>
	<p><b>3-913TS</b></p>	<p>1/2" Thermostatic Trim Plate with Handles Integrated diverter handle with independent temperature control.  MUST ORDER VALVE SEPARATELY.</p>	<p>\$628</p>	<p>\$834</p>	<p>\$960</p>
	<p><b>3-923TS</b></p>	<p>1/2" Thermostatic Trim Plate with Handles Integrated diverter handle with independent temperature control.  MUST ORDER VALVE SEPARATELY.</p>	<p>\$628</p>	<p>\$834</p>	<p>\$960</p>
 <p><b>1-741</b></p>	<p><b>1-741</b></p>	<p>1/2" Thermostatic Rough-in Valve 1-Port</p>	<p>\$524</p>	<p>—</p>	<p>—</p>
	<p><b>1-742</b></p>	<p>1/2" Thermostatic Rough-in Valve 2-Port**</p>	<p>\$627</p>	<p>—</p>	<p>—</p>
	<p><b>1-743</b></p>	<p>1/2" Thermostatic Rough-in Valve 3-Port - Shared</p>	<p>\$686</p>	<p>—</p>	<p>—</p>
	<p><b>1-744</b></p>	<p>1/2" Thermostatic Rough-in Valve 3-Port**</p>	<p>\$686</p>	<p>—</p>	<p>—</p>
	<p><b>1-745</b></p>	<p>1/2" Thermostatic Rough-in Valve 2-Port - Shared</p>	<p>\$627</p>	<p>—</p>	<p>—</p>
	<p>See page 348 for more details.</p>				
	<p><b>20-146</b></p>	<p>1/2" Valve Trim Extension Kit Extends 1-3/8". Please specify finish.</p>	<p>\$273</p>	<p>\$368</p>	<p>\$423</p>
	<p><b>3-914TR</b></p>	<p>3/4" Thermostatic Trim Plate with Handle MUST ORDER VALVE SEPARATELY.</p>	<p>\$480</p>	<p>\$624</p>	<p>\$719</p>

ASTOR - 910, 920



**3-924TR** 3/4" Thermostatic Trim Plate with Handle  
MUST ORDER VALVE SEPARATELY. \$480 \$624 \$719



**1-540** 3/4" Thermostatic Rough-in Valve  
Flow rate of 18 gallons per minute at 60 PSI.  
Factory calibrated comfort setting at 100-deg F,  
built-in check valves with service stops.  
IAPMO Listed. Meets ASSE Standard 1016.  
MUST USE WITH SEPARATE STOP/VOLUME CONTROL \$794 — —



**2-260** 3/4" Valve trim extension kit  
Extends 1-3/8". Please specify finish. \$190 \$259 \$311



**3-343** Diverter/Flow Control Trim  
Use with stop or diverter valves, see page 355. \$210 \$293 \$353



**3-163** Diverter/Flow Control Trim. Arrow insert. \$210 \$293 \$353  
**3-163B** Diverter/Flow Control Trim. Plain insert. \$210 \$293 \$353  
Use with stop or diverter valves, see page 355.



**1-606U** 1/2" inlet/outlet universal stop valve.  
(clockwise off, for cross or lever handle) \$195 — —  
**1-607U** 3/4" inlet/outlet universal stop valve.  
(clockwise off, for cross or lever handle) \$265 — —



**1-617** 1/2" In-wall 2 & 3 way diverter valve  
1 inlet, 3 outlets. \*\* \$279 — —



1/2" in-wall diverter valves\* with:  
**1-701** 3 function with off. 1 inlet, 3 outlets. \*\* \$334 — —  
**1-702** 5 function with share and off. 1 inlet, 3 outlets. \$334 — —  
**1-703** 3 function with pause. 1 inlet, 3 outlets. \*\* \$334 — —

\*SEE PAGES 312-315 FOR HOW TO USE THESE DIVERTERS.

\*\*Cal Green compliant



\*SEE PAGES 312-315 FOR HOW TO USE THESE DIVERTERS

		<u>1/2" in-wall diverter valves* with:</u>		
<b>1-704</b>	2 function with off. 1 inlet, 2 outlets.**	\$334	—	—
<b>1-705</b>	3 function with share and off. 1 inlet, 2 outlets.	\$334	—	—
<b>1-706</b>	2 function with pause. 1 inlet, 2 outlets.**	\$334	—	—
<b>1-707</b>	3 function with share (no off). 1 inlet, 2 outlets.	\$334	—	—



<b>2-268</b>	Tank Lever for Astor Series	\$141	\$183	\$195
<b>6-505</b>	Tank Lever Mechanism	\$115	\$139	\$155



<b>890-1230</b>	18" Towel Bar	\$208	\$253	\$304
<b>890-1250</b>	24" Towel Bar	\$227	\$269	\$324



<b>890-1400</b>	Towel Ring - Open	\$192	\$230	\$277
-----------------	-------------------	-------	-------	-------



<b>890-1410</b>	Towel Ring	\$154	\$185	\$222
-----------------	------------	-------	-------	-------



<b>890-1650</b>	Single Robe Hook	\$68	\$83	\$99
-----------------	------------------	------	------	------



<b>890-1660</b>	Double Robe Hook	\$138	\$166	\$199
-----------------	------------------	-------	-------	-------



<b>890-1510</b>	Hanging Toilet Tissue Holder	\$192	\$230	\$277
-----------------	------------------------------	-------	-------	-------



890-1500 Double Post Toilet Tissue Holder \$204 \$248 \$297

**HOW TO ORDER:** **STEP 1: Select Decorative Rings and Mounting Kit**  
**STEP 2: Select Grab Bar Tube**



**STEP 1:** 920-2400 Decorative Rings and Mounting Kit \$160 \$218 \$274

**STEP 2:**

5080	12" Grab Bar Tube	\$140	\$206	\$230
5081	16" Grab Bar Tube	\$166	\$233	\$293
5082	18" Grab Bar Tube	\$187	\$260	\$285
5083	24" Grab Bar Tube	\$224	\$301	\$347
5085	36" Grab Bar Tube	\$330	\$410	\$485




920-3942 42" Grab Bar \$599 \$781 \$944

Sold as complete unit







Available Finishes:		PC	PN SN
<b>1101</b>	12" Towel Bar	\$197	\$233
<b>G1104</b>	32" Towel Bar	\$260	\$312



Available Finishes:		PC	PN SN
<b>1122-18</b>	18" Double Towel Bar	\$419	\$501
<b>1122-24</b>	24" Double Towel Bar	\$451	\$541
<b>1122-32</b>	32" Double Towel Bar	\$454	NA



Available Finishes:		PC	PN SN
<b>1107</b>	Spare Toilet Tissue Holder	\$183	\$221



Available Finishes:		PC	PN SN
<b>1108D</b>	Double Post Tissue Holder	\$348	\$420



Available Finishes:		PC	PN SN
<b>1127</b>	Hooded Toilet Tissue Holder	\$219	\$262



Available Finishes:		PC	PN SN
<b>1118T-18</b>	18" Shelf	\$322	\$385




Available Finishes:		PC	PN SN
<b>1135T-18</b>	18" Gallery Shelf	\$441	\$528
<b>1135T-24</b>	24" Gallery Shelf	\$498	NA



IMPORTANT: Order (1) Mounting Kit plus (1) Frame to make a complete unit.

Available Finishes:		PC	PN SN
<b>114B</b>	Hotel Shelf Mounting Kit	\$137	\$164
<b>XX43-20</b>	20" Hotel Shelf Frame with Towel Bar	\$306	\$366
<b>XX43-24</b>	24" Hotel Shelf Frame with Towel Bar	\$326	\$387



IMPORTANT: Order (1) Mounting Kit plus (1) Frame to make a complete unit.


Available Finishes:		PC	PN SN
<b>114B</b>	Hotel Shelf Mounting Kit	\$137	\$164
<b>XX43S-20</b>	20" Hotel Shelf Frame with Towel Bar, Squared Corners	\$384	\$463
<b>XX43S-24</b>	24" Hotel Shelf Frame with Towel Bar, Squared Corners	\$415	\$497



Available Finishes:		PC	PN SN
<b>1181</b>	Single Light with Nightlight Option, Satin Etched Glass	\$429	\$513



Available Finishes:		PC	PN SN
<b>1182</b>	Double Light Satin Etched Glass	\$655	\$765



\*\*Mirror tilts 4.5° with mechanism.

Available Finishes:		PC	PN SN
<b>1141</b>	Framed Mirror 20.39" x 35" overall	\$748	\$859
<b>MTM-009</b>	Tilting Mechanism Optional**	\$88	\$88

# AYLESBURY

2400



LAVATORY FAUCETS | TUB & SHOWER | TANK LEVER | ACCESSORIES | GRAB BARS



2400

Widespread Lavatory Faucet  
Cross Handles. 1/2" valves.  
Spout c-c 5.09". 8" centers.

\$978 \$1,293 \$1,483



2410

Widespread Lavatory Faucet  
Lever Handles. 1/2" valves.  
Spout c-c 5.09". 8" centers.

\$978 \$1,293 \$1,483



2420

Widespread Lavatory Faucet  
Cross Handles. 1/2" valves.  
Spout c-c 5.14". 8" centers.

\$911 \$1,208 \$1,388



2430

Widespread Lavatory Faucet  
Lever Handles. 1/2" valves.  
Spout c-c 5.14". 8" centers.

\$911 \$1,208 \$1,388



2433

Single Hole Lavatory Faucet  
5.48" spout height at outlet.  
5.04" spout reach (c-c).  
8.14" overall height.  
Includes #320 lift and turn drain.

\$923 \$1,244 \$1,429



101

Cover Plate, Optional  
6" x 2-1/2".

\$99 \$142 \$152



**3-2401** Wall Mount Lavatory Faucet Cross Handles. Spout c-c 7.25". 8" centers. Drain not included. See Brasstech # 330, 3301, 3302 or 3303. **MUST ORDER VALVES SEPARATELY.**

**1-532U** 2-valve rough with 1/2" NPT inlets & outlet. \$358 — —



**3-2411** Wall Mount Lavatory Faucet Lever Handles. Spout c-c 7.25". 8" centers. Drain not included. See Brasstech # 330, 3301, 3302 or 3303. **MUST ORDER VALVE SEPARATELY.**

**1-532U** 2-valve rough with 1/2" NPT inlets & outlet. \$358 — —



**5-2402BP** BP Tub & Shower Trim. Cross Handle. Less tub spout, showerhead, arm and flange. **MUST ORDER VALVE SEPARATELY.**

**1-685** Newport Brass BP Valve with diverter, 4 port with service stops, universal 1/2" NPT & direct sweat connections.

**See Shower & Drain Sections to complete shower.**



**3-2412BP** BP Tub & Shower Set. Cross Handle. **MUST ORDER VALVE SEPARATELY.**

**1-685** Newport Brass BP Valve with diverter, 4 port with service stops, universal 1/2" NPT & direct sweat connections. \$384 — —



**5-2412BP** BP Tub & Shower Trim. Lever Handle. Less tub spout, showerhead, arm and flange. **MUST ORDER VALVE SEPARATELY.**

**1-685** Newport Brass BP Valve with diverter, 4 port with service stops, universal 1/2" NPT & direct sweat connections.

**See Shower & Drain Sections to complete shower.**



**3-2404BP** BP Shower Set. Cross Handle. **MUST ORDER VALVE SEPARATELY.**

**1-684** Newport Brass BP Valve, 3 port with service stops, universal 1/2" NPT & direct sweat connections. \$278 — —



**4-2404BP** BP Shower Trim. Cross Handle. Less showerhead, arm and flange. **MUST ORDER VALVE SEPARATELY.**

**1-684** Newport Brass BP Valve, 3 port with service stops, universal 1/2" NPT & direct sweat connections.

**See Shower & Drain Sections to complete shower.**



**3-2414BP** BP Shower Set. Lever Handle **MUST ORDER VALVE SEPARATELY.**

**1-684** Newport Brass BP Valve, 3 port with service stops, universal 1/2" NPT & direct sweat connections. \$278 — —



AYLESBURY - 2400



**4-2414BP** BP Shower Trim. Lever Handle  
Less showerhead, arm and flange.  
MUST ORDER VALVE SEPARATELY. \$455 \$594 \$683

**1-684** Newport Brass BP Valve, 3 port with service stops,  
universal 1/2" NPT & direct sweat connections. \$278 — —  
**See Shower & Drain Sections to complete shower.**



**3-383** Tub Spout  
1/2" NPT inlet fitting.  
7.82" spout overall length. \$246 \$334 \$381



**3-2405** Wall Mount Tub Faucet. Cross Handles.  
MUST ORDER VALVE SEPARATELY. \$761 \$990 \$1,142

**1-500U** 2-valve rough with 1/2" NPT inlets & outlet. \$358 — —



**3-2415** Wall Mount Tub Faucet. Lever Handles.  
MUST ORDER VALVE SEPARATELY. \$761 \$990 \$1,142

**1-500U** 2-valve rough with 1/2" NPT inlets & outlet. \$358 — —



**3-2416** Roman Tub Faucet  
Lever Handles. Spout c-c 7.23".  
MUST ORDER VALVES SEPARATELY. \$1,036 \$1,350 \$1,559

**1-502** 3/4" valve for above. Quick connect included. \$438 — —



**3-2417** Roman Tub Faucet with Handshower  
Lever Handles. Spout c-c 7.23".  
MUST ORDER VALVES SEPARATELY \$1,398 \$1,817 \$2,097

**1-503** 3/4" valve for above. Includes  
hose and quick connect. \$883 — —



**2400-4272** Exposed Tub and Hand Shower Set - Deck Mount.  
Cross Handles.  
7.25" centers. Spout c-c 9.11".  
Includes: 281 Hand Shower \$1,805 \$2,300 \$2,795



**2400-4273** Exposed Tub and Hand Shower Set - Deck Mount.  
Lever Handles.  
7.25" centers. Spout c-c 9.11".  
Includes: 281 Hand Shower \$1,805 \$2,300 \$2,795



**2400-4282** Exposed Tub and Hand Shower Set - Wall Mount. Cross Handles.  
6" centers. Spout c-c 7".  
Includes: 281 Hand Shower  
Floor-mount kit item  
3-196 or 3-226 sold separately.

\$1,723 \$2,214 \$2,683



**2400-4283** Exposed Tub and Hand Shower Set - Wall Mount. Lever Handles.  
6" centers. Spout c-c 7".  
Includes: 281 Hand Shower  
Floor-mount kit item  
3-196 or 3-226 sold separately.

\$1,723 \$2,214 \$2,683



**3-196** Floor Mount Kit for Exposed Tub Sets  
Set includes: 2 each Floor Flanges  
2 each 3/4" Risers - 31" high.  
Stabilizer kit sold separately.

\$637 \$888 \$1,066

**3-226** Same as above only 24" high.  
**3-192** 3/4" Shut-off Valves for above (1 pair hot & cold).

\$612 \$855 \$1,029  
\$896 \$1,065 \$1,278



**1-378** Optional Rough For Exposed Tub Filler  
For subfloor or concrete floor installations.  
3.65" overall height.  
10.38" x 5" overall base size.  
Universal 1/2" NPT connections. Test caps included.  
For use with 3-196 or 3-226 tub risers.

\$440 — —



**2-734** Stabilizer Kit for Exposed Tub Floor Riser Kits  
Adjustable for risers that are 6" to 9" apart.  
Includes 1-1/2" finished ring for connecting kit to  
tub overflow pipe. Finished plate for wall mounting  
up to 10" center of riser pipes.

\$314 \$406 \$435

Wall Mount Plate



**2419** Bidet Set. Lever Handles.  
1/2" valves. Includes bottom spray with  
vacuum breaker, 4 hole mount bidet.

\$1,495 \$2,014 \$2,311



**3-2403TR** 1/2" Thermostatic Trim Plate with Handles  
Integrated diverter handle with independent  
temperature control.  
MUST ORDER VALVE SEPARATELY.

\$628 \$834 \$960



**3-2413TR** 1/2" Thermostatic Trim Plate with Handles  
Integrated diverter handle with independent  
temperature control.  
MUST ORDER VALVE SEPARATELY.

\$628 \$834 \$960



1-741

- 1-741** 1/2" Thermostatic Rough-in Valve 1-Port
- 1-742** 1/2" Thermostatic Rough-in Valve 2-Port\*\*
- 1-743** 1/2" Thermostatic Rough-in Valve 3-Port - Shared
- 1-744** 1/2" Thermostatic Rough-in Valve 3-Port\*\*
- 1-745** 1/2" Thermostatic Rough-in Valve 2-Port - Shared

\$524	—	—
\$627	—	—
\$686	—	—
\$686	—	—
\$627	—	—

See page 348 for more details.



20-146

1/2" Valve Trim Extension Kit  
Extends 1-3/8". Please specify finish.

\$273	\$368	\$423
-------	-------	-------



3-2404TR

3/4" Thermostatic Trim Plate with Handle  
MUST ORDER VALVE SEPARATELY.

\$702	\$912	\$1,055
-------	-------	---------



3-2414TR

3/4" Thermostatic Trim Plate with Handle  
MUST ORDER VALVE SEPARATELY.

\$702	\$912	\$1,055
-------	-------	---------



1-540

3/4" Thermostatic Rough-in Valve  
Flow rate of 18 gallons per minute at 60 PSI.  
Factory calibrated comfort setting at 100-deg F,  
built-in check valves with service stops.  
IAPMO Listed. Meets ASSE Standard 1016.

\$794	—	—
-------	---	---

MUST USE WITH SEPARATE STOP/VOLUME CONTROL



2-260

3/4" Valve trim extension kit  
Extends 1-3/8". Please specify finish.

\$190	\$259	\$311
-------	-------	-------



3-374

Diverter/Flow Control Trim  
Use with stop or diverter valves, see page 355.

\$237	\$311	\$358
-------	-------	-------



3-373

Diverter/Flow Control Trim  
Use with stop or diverter valves, see page 355.

\$237	\$311	\$358
-------	-------	-------

\*\*Cal Green compliant



**1-606U** 1/2" inlet/outlet universal stop valve.  
(clockwise off, for cross or lever handle)

\$195 — —

**1-607U** 3/4" inlet/outlet universal stop valve.  
(clockwise off, for cross or lever handle)

\$265 — —



**1-617** 1/2" In-wall 2 & 3 way diverter valve  
1 inlet, 3 outlets.\*\*

\$279 — —

1/2" in-wall diverter valves\* with:



\*SEE PAGES 312-315  
FOR HOW TO USE  
THESE DIVERTERS.

**1-701** 3 function with off. 1 inlet, 3 outlets.\*\*

\$334 — —

**1-702** 5 function with share and off. 1 inlet, 3 outlets.

\$334 — —

**1-703** 3 function with pause. 1 inlet, 3 outlets.\*\*

\$334 — —

**1-704** 2 function with off. 1 inlet, 2 outlets.\*\*

\$334 — —

**1-705** 3 function with share and off. 1 inlet, 2 outlets.

\$334 — —

**1-706** 2 function with pause. 1 inlet, 2 outlets.\*\*

\$334 — —

**1-707** 3 function with share (no off). 1 inlet, 2 outlets.

\$334 — —



**2-645** Tank Lever for Aylesbury Series

\$147 \$190 \$223

**6-505** Tank Lever Mechanism

\$115 \$139 \$155



**34-01** 18" Towel Bar

\$285 \$373 \$413

**34-02** 24" Towel Bar

\$304 \$377 \$419



**34-09** Towel Ring

\$208 \$268 \$304



**34-12** Single Robe Hook

\$155 \$202 \$236



**34-13** Double Robe Hook \$183 \$236 \$268



**34-27** Open Toilet Tissue Holder \$187 \$233 \$269



**34-28** Double Post Toilet Tissue Holder \$268 \$340 \$391

**HOW TO ORDER:** **STEP 1:** Select Decorative Rings and Mounting Kit  
**STEP 2:** Select Grab Bar Tube



**STEP 1:** **2400-2400** Decorative Rings and Mounting Kit \$259 \$383 \$429

**STEP 2:** **5080** 12" Grab Bar Tube \$140 \$206 \$230

**5081** 16" Grab Bar Tube \$166 \$233 \$293

**5082** 18" Grab Bar Tube \$187 \$260 \$285

**5083** 24" Grab Bar Tube \$224 \$301 \$347

**5085** 36" Grab Bar Tube \$330 \$410 \$485

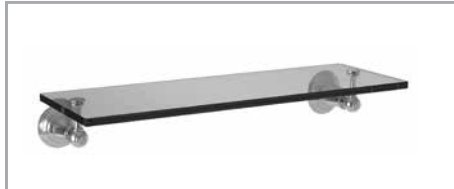


**2400-3942** 42" Grab Bar \$691 \$933 \$1,074

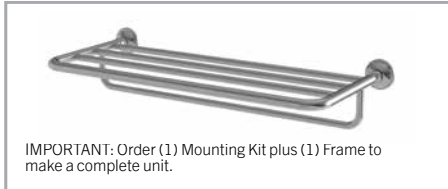
Sold as complete unit





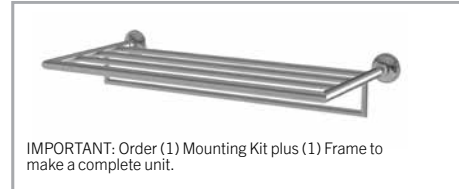


Available Finishes:		PC	PN SN
<b>5434T-18</b>	18" Shelf	\$306	\$368



IMPORTANT: Order (1) Mounting Kit plus (1) Frame to make a complete unit.

Available Finishes:		PC	PN SN
<b>544B</b>	Hotel Shelf Mounting Kit	\$137	\$164
<b>XX43-20</b>	20" Hotel Shelf Frame with Towel Bar	\$306	\$366
<b>XX43-24</b>	24" Hotel Shelf Frame with Towel Bar	\$326	\$387



IMPORTANT: Order (1) Mounting Kit plus (1) Frame to make a complete unit.

Available Finishes:		PC	PN SN
<b>544B</b>	Hotel Shelf Mounting Kit	\$137	\$164
<b>XX43S-20</b>	20" Hotel Shelf Frame with Towel Bar, Squared Corners	\$384	\$463
<b>XX43S-24</b>	24" Hotel Shelf Frame with Towel Bar, Squared Corners	\$415	\$497



Available Finishes:		PC	PN SN
<b>5442</b>	Frameless Pivoting Mirror 24.53" x 36.58" overall	\$663	\$746

# BEVELLE

1740



LAVATORY FAUCETS | TUB & SHOWER | TANK LEVER | ACCESSORIES



1740

Widespread Lavatory Faucet  
1/2" valves. Spout c-c 6.11". 8" centers.

\$1,166 \$1,444 \$1,731



5-1742BP

BP Tub & Shower Trim Set.  
Less tub spout, showerhead, arm and flange.  
MUST ORDER VALVE SEPARATELY.

\$731 \$950 \$1,095

1-685

Newport Brass BP Valve with diverter, 4 port with service stops, universal 1/2" NPT & direct sweat connections.

\$384 — —

See Shower & Drain Sections to complete shower.



4-1744BP

BP Shower Trim Set.  
Less showerhead, arm and flange.  
MUST ORDER VALVE SEPARATELY.

\$638 \$831 \$947

1-684

Newport Brass BP Valve, 3 port with service stops, universal 1/2" NPT & direct sweat connections.

\$278 — —

See Shower & Drain Sections to complete shower.



2-564

Tub Spout with Stream Straightener  
3/4" NPT inlet (1/2" bushing included).  
7.43" spout overall length.

\$245 \$326 \$389



3-1746

Roman Tub Faucet  
Spout c-c 9.44".  
MUST ORDER VALVES SEPARATELY.

\$1,440 \$1,870 \$2,158

1-506

3/4" valve only for above. Quick connect included.

\$438 — —



3-1747

Roman Tub Faucet with Handshower  
Spout c-c 9.44".  
MUST ORDER VALVES SEPARATELY.

\$1,798 \$2,338 \$2,695

1-507

3/4" valve only for above.  
Includes hose and quick connect.

\$883 — —



**1749** Bidet Set  
1/2" valves.  
Includes Bottom Spray with Vacuum Breaker  
4 Hole Mount Bidet.

\$1,980 \$2,409 \$2,894



**3-1663TR** 1/2" Thermostatic Trim Plate with Handles  
Integrated diverter handle with independent  
temperature control.  
**MUST ORDER VALVE SEPARATELY.**

\$587 \$789 \$905



**1-741**

**1-741** 1/2" Thermostatic Rough-in Valve 1-Port \$524  
**1-742** 1/2" Thermostatic Rough-in Valve 2-Port\*\* \$627  
**1-743** 1/2" Thermostatic Rough-in Valve 3-Port - Shared \$686  
**1-744** 1/2" Thermostatic Rough-in Valve 3-Port\*\* \$686  
**1-745** 1/2" Thermostatic Rough-in Valve 2-Port - Shared \$627  
See page 348 for more details.

— —  
— —  
— —  
— —  
— —



**20-146** 1/2" Valve Trim Extension Kit  
Extends 1-3/8". Please specify finish.

\$273 \$368 \$423



**3-1744TR** 3/4" Thermostatic Trim Plate with Handle  
**MUST ORDER VALVE SEPARATELY.**

\$559 \$721 \$838



**1-540** 3/4" Thermostatic Rough-in Valve  
Flow rate of 18 gallons per minute at 60 PSI.  
Factory calibrated comfort setting at 100-deg F,  
built-in check valves with service stops.  
IAPMO Listed. Meets ASSE Standard 1016.  
**MUST USE WITH SEPARATE STOP/VOLUME CONTROL**

\$794 — —



**2-260** 3/4" Valve Trim Extension Kit  
Extends 1-3/8". Please specify finish.

\$190 \$259 \$311



**3-289** Diverter/Flow Control Trim  
Use with stop or diverter valves, see page 355.

\$394 \$530 \$638

BEVELLE - 1740



<b>1-606U</b>	1/2" inlet/outlet universal stop valve. (clockwise off, for cross or lever handle)	\$195	—	—
<b>1-607U</b>	3/4" inlet/outlet universal stop valve. (clockwise off, for cross or lever handle)	\$265	—	—



<b>1-617</b>	1/2" In-wall 2 & 3 way diverter valve 1 inlet, 3 outlets.**	\$279	—	—
--------------	--	-------	---	---

1/2" in-wall diverter valves\* with:



\*SEE PAGES 312-315  
FOR HOW TO USE  
THESE DIVERTERS.

<b>1-701</b>	3 function with off. 1 inlet, 3 outlets.**	\$334	—	—
<b>1-702</b>	5 function with share and off. 1 inlet, 3 outlets.	\$334	—	—
<b>1-703</b>	3 function with pause. 1 inlet, 3 outlets.**	\$334	—	—
<b>1-704</b>	2 function with off. 1 inlet, 2 outlets.**	\$334	—	—
<b>1-705</b>	3 function with share and off. 1 inlet, 2 outlets.	\$334	—	—
<b>1-706</b>	2 function with pause. 1 inlet, 2 outlets.**	\$334	—	—
<b>1-707</b>	3 function with share (no off). 1 inlet, 2 outlets.	\$334	—	—



<b>2-470</b>	Tank Lever for Bevelle Series	\$225	\$293	\$314
--------------	-------------------------------	-------	-------	-------

<b>6-505</b>	Tank Lever Mechanism	\$115	\$139	\$155
--------------	----------------------	-------	-------	-------



<b>890-1230</b>	18" Towel Bar	\$208	\$253	\$304
-----------------	---------------	-------	-------	-------

<b>890-1250</b>	24" Towel Bar	\$227	\$269	\$324
-----------------	---------------	-------	-------	-------



<b>890-1400</b>	Towel Ring - Open	\$192	\$230	\$277
-----------------	-------------------	-------	-------	-------



<b>890-1410</b>	Towel Ring	\$154	\$185	\$222
-----------------	------------	-------	-------	-------



890-1650 Single Robe Hook

\$68 \$83 \$99



890-1660 Double Robe Hook

\$138 \$166 \$199



890-1510 Hanging Toilet Tissue Holder

\$192 \$230 \$277



890-1500 Double Post Toilet Tissue Holder

\$204 \$248 \$297

BEVELLE - 1740

**HOW TO ORDER:** STEP 1: Select Decorative Rings and Mounting Kit  
STEP 2: Select Grab Bar Tube



STEP 1: 920-2400 Decorative Rings and Mounting Kit

\$160 \$218 \$274

STEP 2:  
5080 12" Grab Bar Tube  
5081 16" Grab Bar Tube  
5082 18" Grab Bar Tube  
5083 24" Grab Bar Tube  
5085 36" Grab Bar Tube

\$140 \$206 \$230  
\$166 \$233 \$293  
\$187 \$260 \$285  
\$224 \$301 \$347  
\$330 \$410 \$485




920-3942 42" Grab Bar


\$599 \$781 \$944

Sold as complete unit





Available Finishes:		PC	PN	SN
<b>1101</b>	12" Towel Bar	\$197	\$233	
<b>G1104</b>	32" Towel Bar	\$260	\$312	



Available Finishes:		PC	PN	SN
<b>1122-18</b>	18" Double Towel Bar	\$419	\$501	
<b>1122-24</b>	24" Double Towel Bar	\$451	\$541	
<b>1122-32</b>	32" Double Towel Bar	\$454	NA	




Available Finishes:		PC	PN	SN
<b>1107</b>	Spare Toilet Tissue Holder	\$183	\$221	



Available Finishes:		PC	PN	SN
<b>1108D</b>	Double Post Tissue Holder	\$348	\$420	




Available Finishes:		PC	PN	SN
<b>1127</b>	Hooded Toilet Tissue Holder	\$219	\$262	



Available Finishes:		PC	PN	SN
<b>1118T-18</b>	18" Shelf	\$322	\$385	




Available Finishes:		PC	PN	SN
<b>1135T-18</b>	18" Gallery Shelf	\$441	\$528	
<b>1135T-24</b>	24" Gallery Shelf	\$498	NA	



IMPORTANT: Order (1) Mounting Kit plus (1) Frame to make a complete unit.

Available Finishes:		PC	PN	SN
<b>114B</b>	Hotel Shelf Mounting Kit	\$137	\$164	
<b>XX43-20</b>	20" Hotel Shelf Frame with Towel Bar	\$306	\$366	
<b>XX43-24</b>	24" Hotel Shelf Frame with Towel Bar	\$326	\$387	



IMPORTANT: Order (1) Mounting Kit plus (1) Frame to make a complete unit.


Available Finishes:		PC	PN	SN
<b>114B</b>	Hotel Shelf Mounting Kit	\$137	\$164	
<b>XX43S-20</b>	20" Hotel Shelf Frame with Towel Bar, Squared Corners	\$384	\$463	
<b>XX43S-24</b>	24" Hotel Shelf Frame with Towel Bar, Squared Corners	\$415	\$497	



Available Finishes:		PC	PN	SN
<b>1181</b>	Single Light with Nightlight Option, Satin Etched Glass	\$429	\$513	



Available Finishes:		PC	PN	SN
<b>1182</b>	Double Light Satin Etched Glass	\$655	\$765	



\*\*Mirror tilts 4.5° with mechanism.

Available Finishes:		PC	PN	SN
<b>1141</b>	Framed Mirror 20.39" x 35" overall	\$748	\$859	
<b>MTM-009</b>	Tilting Mechanism Optional**	\$88	\$88	

# CHESTERFIELD

930 | 1030



LAVATORY FAUCETS | TUB & SHOWER | TANK LEVER | ACCESSORIES | GRAB BARS

 	<p><b>930</b></p>	<p>Widespread Lavatory Faucet Cross Handles. 1/2" valves. Spout c-c 6.96". 8" centers.</p>	<p>\$878</p>	<p>\$1,251</p>	<p>\$1,505</p>
 	<p><b>930L</b></p>	<p>Widespread Lavatory Faucet Lever Handles. 1/2" valves. Spout c-c 6.96". 8" centers.</p>	<p>\$878</p>	<p>\$1,251</p>	<p>\$1,505</p>
 	<p><b>930B</b></p>	<p>Lavatory Bridge Faucet Cross Handles. 1/2" valves. Swivel Spout. Leg c-c 8" and 9.62" max. Spout c-c 5.33" and 7.21" max.</p>	<p>\$1,023</p>	<p>\$1,466</p>	<p>\$1,714</p>
 	<p><b>932</b></p>	<p>Single Hole Lavatory Faucet Cross Handles. 1/2" valves. Spout c-c 6.95".</p>	<p>\$878</p>	<p>\$1,251</p>	<p>\$1,505</p>
<p><b>101</b></p>	<p>Cover Plate, Optional 6" x 2-1/2".</p>	<p>\$99</p>	<p>\$142</p>	<p>\$152</p>	
 	<p><b>1030</b></p>	<p>Widespread Lavatory Faucet Lever Handles. 1/2" valves. Spout c-c 6.96". 8" centers.</p>	<p>\$895</p>	<p>\$1,251</p>	<p>\$1,505</p>
 	<p><b>1030B</b></p>	<p>Lavatory Bridge Faucet Lever Handles. 1/2" valves. Swivel Spout. Leg c-c 8" and 9.62" max. Spout c-c 5.33" and 7.21" max.</p>	<p>\$1,023</p>	<p>\$1,466</p>	<p>\$1,714</p>

CHESTERFIELD - 930, 1030



**3-9301** Wall Mount Lavatory Faucet. Cross Handles.  
Spout c-c 7.25". 8" Centers. Drain not included.  
See Brasstech #330, 3301, 3302 or 3303.  
MUST ORDER VALVE SEPARATELY.

\$697 \$1,112 \$1,334

**1-532U** 2-valve rough with 1/2" NPT inlets & outlet.

\$358 — —



**3-9301L** Wall Mount Lavatory Faucet. Lever Handles.  
Spout c-c 7.25". 8" Centers. Drain not included.  
See Brasstech #330, 3301, 3302 or 3303.  
MUST ORDER VALVE SEPARATELY.

\$697 \$1,112 \$1,334

**1-532U** 2-valve rough with 1/2" NPT inlets & outlet.

\$358 — —



**3-944** Wall Mount Lavatory Faucet. Cross Handles.  
Spout c-c 9.78". 8" centers. Drain not included.  
See Brasstech #330, 3301, 3302 or 3303.  
MUST ORDER VALVE SEPARATELY.

\$697 \$1,112 \$1,334

**1-532U** 2-valve rough with 1/2" NPT inlets & outlet.

\$358 — —



**3-944L** Wall Mount Lavatory Faucet. Lever Handles.  
Spout c-c 9.78". 8" centers. Drain not included.  
See Brasstech #330, 3301, 3302 or 3303.  
MUST ORDER VALVE SEPARATELY.

\$697 \$1,112 \$1,334

**1-532U** 2-valve rough with 1/2" NPT inlets & outlet.

\$358 — —



**3-1031** Wall Mount Lavatory Faucet. Lever Handles.  
Spout c-c 7.25". 8" centers. Drain not included.  
See Brasstech #330, 3301, 3302 or 3303.  
MUST ORDER VALVE SEPARATELY.

\$697 \$1,112 \$1,334

**1-532U** 2-valve rough with 1/2" NPT inlets & outlet.

\$358 — —



**3-922BP** BP Tub & Shower Set. Cross Handle.  
MUST ORDER VALVE SEPARATELY.

\$875 \$1,134 \$1,309

**1-685** Newport Brass BP Valve with diverter, 4 port with  
service stops, universal 1/2" NPT & direct sweat  
connections.

\$384 — —



**5-922BP** BP Tub & Shower Trim. Cross Handle.  
Less tub spout, showerhead, arm and flange.  
MUST ORDER VALVE SEPARATELY.

\$450 \$586 \$677

**1-685** Newport Brass BP Valve with diverter, 4 port with  
service stops, universal 1/2" NPT & direct sweat  
connections.

\$384 — —

See Shower & Drain Sections to complete shower.














**3-1032BP** BP Tub & Shower Set. Lever Handle.  
MUST ORDER VALVE SEPARATELY.

\$875 \$1,134 \$1,309

**1-685** Newport Brass BP Valve with diverter, 4 port with  
service stops, universal 1/2" NPT & direct sweat  
connections.

\$384 — —



	<b>5-1032BP</b>	BP Tub & Shower Trim. Lever Handle. Less tub spout, showerhead, arm and flange. MUST ORDER VALVE SEPARATELY.	\$450	\$586	\$677
	<b>1-685</b>	Newport Brass BP Valve with diverter, 4 port with service stops, universal 1/2" NPT & direct sweat connections. <b>See Shower &amp; Drain Sections to complete shower.</b>	\$384	—	—
	<b>3-924BP</b>	BP Shower Set. Cross Handle. MUST ORDER VALVE SEPARATELY.	\$666	\$863	\$998
	<b>1-684</b>	Newport Brass BP Valve, 3 port with service stops, universal 1/2" NPT & direct sweat connections.	\$278	—	—
	<b>4-924BP</b>	BP Shower Set. Cross Handle. Less showerhead, arm and flange. MUST ORDER VALVE SEPARATELY.	\$359	\$468	\$542
	<b>1-684</b>	Newport Brass BP Valve, 3 port with service stops, universal 1/2" NPT & direct sweat connections. <b>See Shower &amp; Drain Sections to complete shower.</b>	\$278	—	—
	<b>3-1034BP</b>	BP Shower Set. Lever Handle. MUST ORDER VALVE SEPARATELY.	\$666	\$863	\$998
	<b>1-684</b>	Newport Brass BP Valve, 3 port with service stops, universal 1/2" NPT & direct sweat connections.	\$278	—	—
	<b>4-1034BP</b>	BP Shower Trim. Lever Handle. Less showerhead, arm and flange. MUST ORDER VALVE SEPARATELY.	\$359	\$468	\$542
	<b>1-684</b>	Newport Brass BP Valve, 3 port with service stops, universal 1/2" NPT & direct sweat connections. <b>See Shower &amp; Drain Sections to complete shower.</b>	\$278	—	—
	<b>2-144</b>	Tub Spout 1/2" NPT inlet fitting. 7.56" spout overall length.	\$230	\$312	\$358
	<b>3-925</b>	Wall Mount Tub Faucet Cross Handles. MUST ORDER VALVE SEPARATELY.	\$761	\$990	\$1,142
	<b>1-500U</b>	2-valve rough with 1/2" NPT inlets & outlet.	\$358	—	—
	<b>3-936</b>	Roman Tub Faucet Cross Handles. Spout c-c 11.53". MUST ORDER VALVE SEPARATELY.	\$1,036	\$1,350	\$1,559
	<b>1-502</b>	3/4" valve for above, quick connect included.	\$438	—	—



**3-1036** Roman Tub Faucet  
Lever Handles. Spout c-c 11.53".  
MUST ORDER VALVE SEPARATELY. \$1,036 \$1,350 \$1,559

**1-502** 3/4" valve for above, quick connect included. \$438 — —



**3-937** Roman Tub Faucet with Handshower  
Cross Handles. Spout c-c 11.53".  
MUST ORDER VALVES SEPARATELY. \$1,398 \$1,818 \$2,097

**1-503** 3/4" valve for above.  
Includes hose & quick connect. \$883 — —



**3-1037** Roman Tub Faucet with Handshower  
Lever Handles. Spout c-c 11.53".  
MUST ORDER VALVES SEPARATELY. \$1,398 \$1,818 \$2,097

**1-503** 3/4" valve for above.  
Includes hose & quick connect. \$883 — —



SEE PAGE 321

**930-4261** Free Standing Tub Filler  
35.95" (91.3cm) spout height at outlet (from floor).  
8.72" (22.2cm) spout reach (c-c).  
41.93" overall height.  
9.25 gallons (35 liters) per minute maximum flow rate (spout).  
1.8 gallons (6.8 liters) per minute maximum flow rate (hand shower). \$2,276 \$2,883 \$3,738

**1-339** Optional Rough for Free Standing Tub filler \$323 — —



**933** Exposed Tub & Hand Shower Set - Deck Mount  
7.25" centers. Spout c-c 9.11".  
Includes: 281 Hand Shower. \$1,515 \$2,121 \$2,543



**934** Exposed Tub & Hand Shower Set - Wall Mount  
6" centers. Spout c-c 7".  
Includes: 281 Hand Shower  
Floor-mount kit item 3-196 or  
3-226 sold separately. \$1,444 \$2,018 \$2,424



**3-196** Floor Mount Kit for Exposed Tub Sets  
Set includes: 2 each Floor Flanges  
2 each 3/4" Risers - 31" high.  
Stabilizer kit sold separately. \$637 \$888 \$1,066

**3-226** Same as above only 24" high. \$612 \$855 \$1,029  
**3-192** 3/4" Shut-off Valves for above (1 pair hot & cold). \$896 \$1,065 \$1,278



**1-378** Optional Rough For Exposed Tub Filler  
For subfloor or concrete floor installations.  
3.65" overall height.  
10.38" x 5" overall base size.  
Universal 1/2" NPT connections. Test caps included.  
For use with 3-196 or 3-226 tub risers. \$440 — —



**2-734** Stabilizer Kit for Exposed Tub Floor Riser Kits  
Adjustable for risers that are 6" to 9" apart.  
Includes 1-1/2" finished ring for connecting kit to  
tub overflow pipe. Finished plate for wall mounting  
up to 10" center of riser pipes.

\$314 \$406 \$435



**929** Bidet Set  
Cross Handles. 1/2" valves.  
Includes bottom spray with vacuum breaker.  
4 hole mount bidet.

\$1,585 \$2,217 \$2,662



**3-923TR** 1/2" Thermostatic Trim Plate with Handles  
Integrated diverter handle with independent  
temperature control.  
MUST ORDER VALVE SEPARATELY.

\$587 \$789 \$905



**3-923TS** 1/2" Thermostatic Trim Plate with Handles  
Integrated diverter handle with independent  
temperature control.  
MUST ORDER VALVE SEPARATELY.

\$628 \$834 \$960



1-741

**1-741** 1/2" Thermostatic Rough-in Valve 1-Port  
**1-742** 1/2" Thermostatic Rough-in Valve 2-Port\*\*  
**1-743** 1/2" Thermostatic Rough-in Valve 3-Port - Shared  
**1-744** 1/2" Thermostatic Rough-in Valve 3-Port\*\*  
**1-745** 1/2" Thermostatic Rough-in Valve 2-Port - Shared  
See page 348 for more details.

\$524 — —  
\$627 — —  
\$686 — —  
\$686 — —  
\$627 — —



**20-146** 1/2" Valve Trim Extension Kit  
Extends 1-3/8". Please specify finish.

\$273 \$368 \$423



**3-924TR** 3/4" Thermostatic Trim Plate with Handle  
MUST ORDER VALVE SEPARATELY.

\$480 \$624 \$719



**3-1034TR** 3/4" Thermostatic Trim Plate with Handle  
MUST ORDER VALVE SEPARATELY.

\$480 \$624 \$719

CHESTERFIELD - 930, 1030

\*\*Cal Green compliant



**1-540** 3/4" Thermostatic Rough-in Valve  
 Flow rate of 18 gallons per minute at 60 PSI.  
 Factory calibrated comfort setting at 100-deg F,  
 built-in check valves with service stops.  
 IAPMO Listed. Meets ASSE Standard 1016.  
 \$794 — —  
**MUST USE WITH SEPARATE STOP/VOLUME CONTROL**



**2-260** 3/4" Valve trim extension kit  
 Extends 1-3/8". Please specify finish.  
 \$190 \$259 \$311



**3-163** Diverter/Flow Control Trim. Arrow insert. \$210 \$293 \$353  
**3-163B** Diverter/Flow Control Trim. Plain insert. \$210 \$293 \$353  
 Use with stop or diverter valves, see page 355.



**3-241** Diverter/Flow Control Handle Trim. Arrow Insert. \$210 \$293 \$353  
**3-241B** Diverter/Flow Control Handle Trim. Plain Insert. \$210 \$293 \$353  
 Use with stop or diverter valves, see page 355.



**1-606U** 1/2" inlet/outlet universal stop valve.  
 (clockwise off, for cross or lever handle) \$195 — —  
**1-607U** 3/4" inlet/outlet universal stop valve.  
 (clockwise off, for cross or lever handle) \$265 — —



**1-617** 1/2" In-wall 2 & 3 way diverter valve  
 1 inlet, 3 outlets.\*\* \$279 — —

1/2" in-wall diverter valves\* with:



**1-701** 3 function with off. 1 inlet, 3 outlets.\*\* \$334 — —  
**1-702** 5 function with share and off. 1 inlet, 3 outlets. \$334 — —  
**1-703** 3 function with pause. 1 inlet, 3 outlets.\*\* \$334 — —  
**1-704** 2 function with off. 1 inlet, 2 outlets.\*\* \$334 — —  
**1-705** 3 function with share and off. 1 inlet, 2 outlets. \$334 — —  
**1-706** 2 function with pause. 1 inlet, 2 outlets.\*\* \$334 — —  
**1-707** 3 function with share (no off). 1 inlet, 2 outlets. \$334 — —

\*SEE PAGES 312-315  
 FOR HOW TO USE  
 THESE DIVERTERS.



**2-136** Tank Lever for Chesterfield Series

\$141 \$183 \$195

**6-505** Tank Lever Mechanism

\$115 \$139 \$155



**2-268** Tank Lever for Chesterfield Series

\$141 \$183 \$195

**6-505** Tank Lever Mechanism

\$115 \$139 \$155



**890-1230** 18" Towel Bar

\$208 \$253 \$304

**890-1250** 24" Towel Bar

\$227 \$269 \$324



**890-1400** Towel Ring - Open

\$192 \$230 \$277



**890-1410** Towel Ring

\$154 \$185 \$222



**890-1650** Single Robe Hook

\$68 \$83 \$99



**890-1660** Double Robe Hook

\$138 \$166 \$199



**890-1510** Hanging Toilet Tissue Holder

\$192 \$230 \$277



890-1500 Double Post Toilet Tissue Holder

\$204

\$248

\$297

**HOW TO ORDER:** **STEP 1: Select Decorative Rings and Mounting Kit**  
**STEP 2: Select Grab Bar Tube**



**STEP 1:** 920-2400 Decorative Rings and Mounting Kit

\$160

\$218

\$274

**STEP 2:** 5080 12" Grab Bar Tube

\$140

\$206

\$230

5081 16" Grab Bar Tube

\$166

\$233

\$293

5082 18" Grab Bar Tube

\$187

\$260

\$285

5083 24" Grab Bar Tube

\$224

\$301

\$347

5085 36" Grab Bar Tube

\$330

\$410

\$485



920-3942 42" Grab Bar


\$599

\$781

\$944

Sold as complete unit





Available Finishes:		PC	PN SN
<b>1101</b>	12" Towel Bar	\$197	\$233
<b>G1104</b>	32" Towel Bar	\$260	\$312



Available Finishes:		PC	PN SN
<b>1122-18</b>	18" Double Towel Bar	\$419	\$501
<b>1122-24</b>	24" Double Towel Bar	\$451	\$541
<b>1122-32</b>	32" Double Towel Bar	\$454	NA



Available Finishes:		PC	PN SN
<b>1107</b>	Spare Toilet Tissue Holder	\$183	\$221




Available Finishes:		PC	PN SN
<b>1108D</b>	Double Post Tissue Holder	\$348	\$420



Available Finishes:		PC	PN SN
<b>1127</b>	Hooded Toilet Tissue Holder	\$219	\$262



Available Finishes:		PC	PN SN
<b>1118T-18</b>	18" Shelf	\$322	\$385




Available Finishes:		PC	PN SN
<b>1135T-18</b>	18" Gallery Shelf	\$441	\$528
<b>1135T-24</b>	24" Gallery Shelf	\$498	NA



IMPORTANT: Order (1) Mounting Kit plus (1) Frame to make a complete unit.

Available Finishes:		PC	PN SN
<b>114B</b>	Hotel Shelf Mounting Kit	\$137	\$164
<b>XX43-20</b>	20" Hotel Shelf Frame with Towel Bar	\$306	\$366
<b>XX43-24</b>	24" Hotel Shelf Frame with Towel Bar	\$326	\$387



IMPORTANT: Order (1) Mounting Kit plus (1) Frame to make a complete unit.


Available Finishes:		PC	PN SN
<b>114B</b>	Hotel Shelf Mounting Kit	\$137	\$164
<b>XX43S-20</b>	20" Hotel Shelf Frame with Towel Bar, Squared Corners	\$384	\$463
<b>XX43S-24</b>	24" Hotel Shelf Frame with Towel Bar, Squared Corners	\$415	\$497



Available Finishes:		PC	PN SN
<b>1181</b>	Single Light with Nightlight Option, Satin Etched Glass	\$429	\$513



Available Finishes:		PC	PN SN
<b>1182</b>	Double Light Satin Etched Glass	\$655	\$765



\*\*Mirror tilts 4.5° with mechanism.

Available Finishes:		PC	PN SN
<b>1141</b>	Framed Mirror 20.39" x 35" overall	\$748	\$859
<b>MTM-009</b>	Tilting Mechanism Optional**	\$88	\$88

# CLEMENS

3250 | 3260



LAVATORY FAUCETS | TUB & SHOWER | ACCESSORIES | GRAB BARS



**3250** Widespread Lavatory Faucet  
Lever Handles.  
1/2" valves. Spout c-c 6.13".  
8" centers.

\$1,153 \$1,584 \$1,867



**3260** Widespread Lavatory Faucet  
Cross Handles.  
1/2" valves. Spout c-c 6.13".  
8" centers.

\$1,153 \$1,584 \$1,867



**3-3251** Wall Mount Lavatory Faucet  
Lever Handles. Spout c-c 8.25".  
8" centers. Drain not included.  
See Brasstech #330, 3301, 3302 or 3303.  
MUST ORDER VALVE SEPARATELY.

\$855 \$1,196 \$1,494

**1-532U** 2-valve rough with 1/2" NPT inlets & outlet.

\$358 — —



**3-3261** Wall Mount Lavatory Faucet  
Cross Handles. Spout c-c 8.25".  
8" centers. Drain not included.  
See Brasstech #330, 3301, 3302 or 3303  
MUST ORDER VALVE SEPARATELY.

\$855 \$1,196 \$1,494

**1-532U** 2-valve rough with 1/2" NPT inlets & outlet.

\$358 — —



**5-3252BP** BP Tub & Shower Trim. Lever Handle.  
Less tub spout, showerhead, arm and flange.  
MUST ORDER VALVE SEPARATELY.

\$759 \$1,062 \$1,191

**1-685** Newport Brass BP Valve with diverter, 4 port with  
service stops, universal 1/2" NPT & direct sweat  
connections.

\$384 — —

See Shower & Drain Sections to complete shower.



**5-3262BP** BP Tub & Shower Trim. Cross Handle.  
Less tub spout, showerhead, arm and flange.  
MUST ORDER VALVE SEPARATELY.








\$759 \$1,062 \$1,191

**1-685** Newport Brass BP Valve with diverter, 4 port with  
service stops, universal 1/2" NPT & direct sweat  
connections.

\$384 — —

See Shower & Drain Sections to complete shower.



	<b>4-3254BP</b>	BP Shower Trim. Lever Handle. Less showerhead, arm and flange. MUST ORDER VALVE SEPARATELY.	\$674	\$942	\$1,076
	<b>1-684</b>	Newport Brass BP Valve, 3 port with service stops, universal 1/2" NPT & direct sweat connections. <b>See Shower &amp; Drain Sections to complete shower.</b>	\$278	—	—
	<b>4-3264BP</b>	BP Shower Trim. Cross Handle. Less showerhead, arm and flange. MUST ORDER VALVE SEPARATELY.	\$674	\$942	\$1,076
	<b>1-684</b>	Newport Brass BP Valve, 3 port with service stops, universal 1/2" NPT & direct sweat connections. <b>See Shower &amp; Drain Sections to complete shower.</b>	\$278	—	—
	<b>3-642</b>	Tub Spout 1/2" NPT inlet fitting. 8.82" spout overall length.	\$363	\$491	\$564
	<b>3-3255</b>	Wall Mount Tub Faucet. Lever Handles. MUST ORDER VALVE SEPARATELY.	\$898	\$1,257	\$1,457
	<b>1-500U</b>	2-valve rough with 1/2" NPT inlets & outlet.	\$358	—	—
	<b>3-3265</b>	Wall Mount Tub Faucet. Cross Handles. MUST ORDER VALVE SEPARATELY.	\$898	\$1,257	\$1,457
	<b>1-500U</b>	2-valve rough with 1/2" NPT inlets & outlet.	\$358	—	—
	<b>3-3256</b>	Roman Tub Faucet Lever Handles. Spout c-c 8.25". MUST ORDER VALVE SEPARATELY.	\$1,339	\$1,874	\$2,153
	<b>1-697</b>	3/4" Valve for above. Quick connect included.	\$438	—	—
	<b>3-3266</b>	Roman Tub Faucet Cross Handles. Spout c-c 8.25". MUST ORDER VALVE SEPARATELY.	\$1,339	\$1,874	\$2,153
	<b>1-697</b>	3/4" Valve for above. Quick connect included.	\$438	—	—
	<b>3-3257</b>	Roman Tub Faucet with Handshower Lever Handles. Spout c-c 8.25". MUST ORDER VALVE SEPARATELY.	\$1,782	\$2,358	\$2,778
	<b>1-698</b>	3/4" valve for above. Includes hose and quick connect.	\$883	—	—



CLEMENS - 3250, 3260



<b>3-3267</b>	Roman Tub Faucet with Handshower Cross Handles. Spout c-c 8.25". <b>MUST ORDER VALVE SEPARATELY.</b>	\$1,782	\$2,358	\$2,778
<b>1-698</b>	3/4" valve for above. Includes hose and quick connect.	\$883	—	—



<b>3259</b>	Bidet Set Lever Handles. 1/2" valves. Includes bottom spray with vacuum breaker, 4 hole mount bidet.	\$1,945	\$2,721	\$2,994
-------------	--	---------	---------	---------



<b>3269</b>	Bidet Set Cross Handles. 1/2" valves. Includes bottom spray with vacuum breaker, 4 hole mount bidet.	\$1,945	\$2,721	\$2,994
-------------	--	---------	---------	---------



<b>3-3253TR</b>	1/2" Thermostatic Trim Plate with Handles Integrated diverter handle with independent temperature control. <b>MUST ORDER VALVE SEPARATELY.</b>	\$827	\$1,159	\$1,335
-----------------	--	-------	---------	---------



<b>3-3263TR</b>	1/2" Thermostatic Trim Plate with Handles Integrated diverter handle with independent temperature control. <b>MUST ORDER VALVE SEPARATELY.</b>	\$827	\$1,159	\$1,335
-----------------	--	-------	---------	---------



1-741

<b>1-741</b>	1/2" Thermostatic Rough-in Valve 1-Port	\$524	—	—
<b>1-742</b>	1/2" Thermostatic Rough-in Valve 2-Port**	\$627	—	—
<b>1-743</b>	1/2" Thermostatic Rough-in Valve 3-Port - Shared	\$686	—	—
<b>1-744</b>	1/2" Thermostatic Rough-in Valve 3-Port**	\$686	—	—
<b>1-745</b>	1/2" Thermostatic Rough-in Valve 2-Port - Shared	\$627	—	—

See page 348 for more details.



<b>20-146</b>	1/2" Valve Trim Extension Kit Extends 1-3/8". Please specify finish.	\$273	\$368	\$423
---------------	---	-------	-------	-------



<b>3-3254TR</b>	3/4" Thermostatic Trim Plate with Handle <b>MUST ORDER VALVE SEPARATELY.</b>	\$775	\$1,044	\$1,298
-----------------	---	-------	---------	---------



**3-3264TR** 3/4" Thermostatic Trim Plate with Handle  
MUST ORDER VALVE SEPARATELY. \$775 \$1,044 \$1,298



**1-540** 3/4" Thermostatic Rough-in Valve  
Flow rate of 18 gallons per minute at 60 PSI.  
Factory calibrated comfort setting at 100-deg F,  
built-in check valves with service stops.  
IAPMO Listed. Meets ASSE Standard 1016.  
MUST USE WITH SEPARATE STOP/VOLUME CONTROL \$794 — —



**2-260** 3/4" Valve trim extension kit  
Extends 1-3/8". Please specify finish. \$190 \$259 \$311



**3-647** Diverter/Flow Control Trim  
Use with stop or diverter valves, see page 355. \$241 \$338 \$421



**3-646** Diverter/Flow Control Trim  
Use with stop or diverter valves, see page 355. \$241 \$338 \$421



**1-606U** 1/2" inlet/outlet universal stop valve.  
(clockwise off, for cross or lever handle) \$195 — —

**1-607U** 3/4" inlet/outlet universal stop valve.  
(clockwise off, for cross or lever handle) \$265 — —



**1-617** 1/2" In-wall 2 & 3 way diverter valve  
1 inlet, 3 outlets.\*\* \$279 — —



1/2" in-wall diverter valves\* with:

**1-701** 3 function with off. 1 inlet, 3 outlets.\*\* \$334 — —

**1-702** 5 function with share and off. 1 inlet, 3 outlets. \$334 — —

**1-703** 3 function with pause. 1 inlet, 3 outlets.\*\* \$334 — —

\*SEE PAGES 312-315  
FOR HOW TO USE  
THESE DIVERTERS.

CLEMENS - 3250, 3260



\*SEE PAGES 312-315 FOR HOW TO USE THESE DIVERTERS.

1/2" in-wall diverter valves\* with:

<b>1-704</b>	2 function with off. 1 inlet, 2 outlets.**	\$334	—	—
<b>1-705</b>	3 function with share and off. 1 inlet, 2 outlets.	\$334	—	—
<b>1-706</b>	2 function with pause. 1 inlet, 2 outlets.**	\$334	—	—
<b>1-707</b>	3 function with share (no off). 1 inlet, 2 outlets.	\$334	—	—



<b>3250-1230</b>	18" Towel Bar	\$298	\$357	\$447
<b>3250-1250</b>	24" Towel Bar	\$331	\$400	\$499



<b>3250-1410</b>	Towel Ring	\$227	\$273	\$340
------------------	------------	-------	-------	-------



<b>3250-1650</b>	Single Robe Hook	\$185	\$250	\$313
------------------	------------------	-------	-------	-------



<b>3250-1660</b>	Double Robe Hook	\$210	\$276	\$337
------------------	------------------	-------	-------	-------



<b>3250-1510</b>	Hanging Toilet Tissue Holder	\$225	\$271	\$305
------------------	------------------------------	-------	-------	-------



<b>3250-1530</b>	Double Post Toilet Tissue Holder	\$309	\$374	\$436
------------------	----------------------------------	-------	-------	-------

**HOW TO ORDER:** **STEP 1:** Select Decorative Rings and Mounting Kit  
**STEP 2:** Select Grab Bar Tube



**STEP 1:** 990-2400 Decorative Rings and Mounting Kit \$160 \$218 \$274

**STEP 2:**

5080	12" Grab Bar Tube	\$140	\$206	\$230
5081	16" Grab Bar Tube	\$166	\$233	\$293
5082	18" Grab Bar Tube	\$187	\$260	\$285
5083	24" Grab Bar Tube	\$224	\$301	\$347
5085	36" Grab Bar Tube	\$330	\$410	\$485



990-3942 42" Grab Bar \$599 \$781 \$944

Sold as complete unit



CLEMENS - 3250, 3260

# DORRANCE

2970 | 2980



LAVATORY FAUCETS | TUB & SHOWER | TANK LEVER | ACCESSORIES | GRAB BARS



**2970** Widespread Lavatory Faucet  
Lever Handles.  
1/2" valves. Spout c-c 5.53".  
8" centers. \$1,150 \$1,555 \$1,776



**2980** Widespread Lavatory Faucet  
Cross Handles.  
1/2" valves. Spout c-c 5.53".  
8" centers. \$1,150 \$1,555 \$1,776



**3-2971** Wall Mount Lavatory Faucet  
Lever Handles. Spout c-c 7.11".  
8" centers. Drain not included.  
See Brasstech #330, 3301, 3302 or 3303.  
MUST ORDER VALVE SEPARATELY. \$936 \$1,830 \$2,103

**1-532U** 2-valve rough with 1/2" NPT inlets & outlet. \$358 — —



**3-2981** Wall Mount Lavatory Faucet  
Cross Handles. Spout c-c 7.11".  
8" centers. Drain not included.  
See Brasstech #330, 3301, 3302 or 3303.  
MUST ORDER VALVE SEPARATELY. \$936 \$1,830 \$2,103

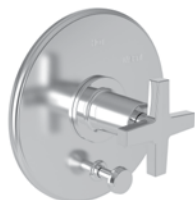
**1-532U** 2-valve rough with 1/2" NPT inlets & outlet. \$358 — —



**5-2972BP** BP Tub & Shower Trim. Lever Handle.  
Less tub spout, showerhead, arm and flange.  
MUST ORDER VALVE SEPARATELY. \$774 \$1,008 \$1,161

**1-685** Newport Brass BP Valve with diverter, 4 port with  
service stops, universal 1/2" NPT & direct sweat  
connections. \$384 — —












See Shower & Drain Sections to complete shower.



**5-2982BP** BP Tub & Shower Trim. Cross Handle.  
Less tub spout, showerhead, arm and flange.  
MUST ORDER VALVE SEPARATELY. \$774 \$1,008 \$1,161

**1-685** Newport Brass BP Valve with diverter, 4 port with  
service stops, universal 1/2" NPT & direct sweat  
connections. \$384 — —

See Shower & Drain Sections to complete shower.

	<b>3-2974BP</b>	BP Shower Set. Lever Handle. MUST ORDER SEPARATELY.	\$1,160	\$1,560	\$1,802
	<b>1-684</b>	Newport Brass BP Valve, 3 port with service stops, universal 1/2" NPT & direct sweat connections.	\$278	—	—
	<b>4-2974BP</b>	BP Shower Trim. Lever Handle. Less showerhead, arm and flange. MUST ORDER SEPARATELY.	\$751	\$979	\$1,129
	<b>1-684</b>	Newport Brass BP Valve, 3 port with service stops, universal 1/2" NPT & direct sweat connections. <b>See Shower &amp; Drain Sections to complete shower.</b>	\$278	—	—
	<b>4-2984BP</b>	BP Shower Trim. Cross Handle. Less showerhead, arm and flange. MUST ORDER SEPARATELY.	\$751	\$979	\$1,129
	<b>1-684</b>	Newport Brass BP Valve, 3 port with service stops, universal 1/2" NPT & direct sweat connections. <b>See Shower &amp; Drain Sections to complete shower.</b>	\$278	—	—
	<b>3-234</b>	Tub Spout 1/2" NPT inlet fitting. 7" spout overall length.	\$227	\$301	\$347
	<b>3-2975</b>	Wall Mount Tub Faucet. Lever Handles. MUST ORDER VALVES SEPARATELY.	\$889	\$1,202	\$1,381
	<b>1-500U</b>	2-valve rough with 1/2" NPT inlets & outlet.	\$358	—	—
	<b>3-2985</b>	Wall Mount Tub Faucet. Cross Handles. MUST ORDER VALVES SEPARATELY.	\$889	\$1,202	\$1,381
	<b>1-500U</b>	2-valve rough with 1/2" NPT inlets & outlet.	\$358	—	—
	<b>3-2976</b>	Roman Tub Faucet Lever Handles. Spout c-c 7.88". MUST ORDER VALVES SEPARATELY.	\$1,327	\$1,791	\$2,061
	<b>1-665</b>	3/4" Valve for above. Quick connect included.	\$438	—	—
	<b>3-2977</b>	Roman Tub Faucet with Handshower Lever Handles. Spout c-c 7.88". MUST ORDER VALVES SEPARATELY.	\$1,824	\$2,371	\$2,739
	<b>1-666</b>	3/4" valve for above. Includes hose and quick connect.	\$883	—	—



**2979** Bidet Set  
Lever Handles. 1/2" valves.  
Includes bottom spray with  
vacuum breaker, 4 hole mount bidet.

\$1,408 \$1,871 \$2,151



**3-2973TR** 1/2" Thermostatic Trim Plate with Handles  
Integrated diverter handle with independent  
temperature control.  
MUST ORDER VALVE SEPARATELY.

\$819 \$1,094 \$1,257



**3-2983TR** 1/2" Thermostatic Trim Plate with Handles  
Integrated diverter handle with independent  
temperature control.  
MUST ORDER VALVE SEPARATELY.

\$819 \$1,094 \$1,257



**1-741**

**1-741** 1/2" Thermostatic Rough-in Valve 1-Port  
**1-742** 1/2" Thermostatic Rough-in Valve 2-Port\*\*  
**1-743** 1/2" Thermostatic Rough-in Valve 3-Port - Shared  
**1-744** 1/2" Thermostatic Rough-in Valve 3-Port\*\*  
**1-745** 1/2" Thermostatic Rough-in Valve 2-Port - Shared  
See page 348 for more details.

\$524 — —  
\$627 — —  
\$686 — —  
\$686 — —  
\$627 — —



**20-146** 1/2" Valve Trim Extension Kit  
Extends 1-3/8". Please specify finish.

\$273 \$368 \$423



**3-2974TR** 3/4" Thermostatic Trim Plate with Handle  
MUST ORDER VALVE SEPARATELY.

\$887 \$1,154 \$1,305



**3-2984TR** 3/4" Thermostatic Trim Plate with Handle  
MUST ORDER VALVE SEPARATELY.

\$887 \$1,154 \$1,305



**1-540** 3/4" Thermostatic Rough-in Valve  
Flow rate of 18 gallons per minute at 60 PSI.  
Factory calibrated comfort setting at 100-deg F,  
built-in check valves with service stops.  
IAPMO Listed. Meets ASSE Standard 1016.

\$794 — —

MUST USE WITH SEPARATE STOP/VOLUME CONTROL





**2-260** 3/4" Valve trim extension kit  
Extends 1-3/8". Please specify finish.

\$190 \$259 \$311



**3-573** Diverter/Flow Control Trim  
Use with stop or diverter valves, see page 355.

\$228 \$308 \$355



**3-575** Diverter/Flow Control Trim  
Use with stop or diverter valves, see page 355.

\$228 \$308 \$355



**1-606U** 1/2" inlet/outlet universal stop valve.  
(clockwise off, for cross or lever handle)

\$195 — —

**1-607U** 3/4" inlet/outlet universal stop valve.  
(clockwise off, for cross or lever handle)

\$265 — —



**1-617** 1/2" In-wall 2 & 3 way diverter valve  
1 inlet, 3 outlets.\*\*

\$279 — —

1/2" in-wall diverter valves\* with:



\*SEE PAGES 312-315  
FOR HOW TO USE  
THESE DIVERTERS.

**1-701** 3 function with off. 1 inlet, 3 outlets.\*\*

\$334 — —

**1-702** 5 function with share and off. 1 inlet, 3 outlets.

\$334 — —

**1-703** 3 function with pause. 1 inlet, 3 outlets.\*\*

\$334 — —

**1-704** 2 function with off. 1 inlet, 2 outlets.\*\*

\$334 — —

**1-705** 3 function with share and off. 1 inlet, 2 outlets.

\$334 — —

**1-706** 2 function with pause. 1 inlet, 2 outlets.\*\*

\$334 — —

**1-707** 3 function with share (no off). 1 inlet, 2 outlets.

\$334 — —



**42-01** 18" Towel Bar

\$323 \$386 \$418

**42-02** 24" Towel Bar

\$341 \$408 \$437

\*\*Cal Green compliant



**42-09** Towel Ring \$233 \$293 \$314



**42-12** Single Robe Hook \$135 \$159 \$199



**42-13** Double Robe Hook \$166 \$203 \$230



**42-27** Hanging Toilet Tissue Holder \$236 \$284 \$323



**42-28** Double Post Toilet Tissue Holder \$278 \$337 \$395

**HOW TO ORDER:** **STEP 1:** Select Decorative Rings and Mounting Kit  
**STEP 2:** Select Grab Bar Tube



**STEP 1:** **2480-2400** Decorative Rings and Mounting Kit \$206 \$230 \$282

**STEP 2:**  
**5080SQ** 12" Grab Bar Tube \$181 \$215 \$250  
**5081SQ** 16" Grab Bar Tube \$221 \$297 \$350  
**5082SQ** 18" Grab Bar Tube \$244 \$299 \$365  
**5083SQ** 24" Grab Bar Tube \$283 \$340 \$402  
**5085SQ** 36" Grab Bar Tube \$369 \$462 \$533




**2480-3942** 42" Grab Bar \$691 \$933 \$1,074

Sold as complete unit





Available Finishes:		PC	MB PN, SN
<b>4622-24</b>	24" Double Towel Bar	\$389	\$469




Available Finishes:		PC	MB PN, SN
<b>4607</b>	Spare Toilet Tissue Holder	\$199	\$237



Available Finishes:		PC	MB PN, SN
<b>4609</b>	Double Open Toilet Tissue Holder	\$223	\$281



Available Finishes:		PC	MB PN, SN
<b>4627</b>	Double Toilet Tissue Holder with Cover	\$327	\$409




Available Finishes:		PC	MB PN, SN
<b>4610T</b>	Triple Pivoting Robe Hook	\$221	\$254




Available Finishes:		PC	MB PN, SN
<b>4619T-12</b>	12" Shelf with Towel Bar	\$408	\$511



Available Finishes:		PC	MB PN, SN
<b>4619T-24</b>	24" Shelf with Towel Bar	\$439	\$527




Available Finishes:		PC	MB PN, SN
<b>4634T</b>	24" Shelf	\$300	\$363




IMPORTANT: Order (1) Mounting Kit plus (1) Frame to make a complete unit.

Available Finishes:		PC	MB PN, SN
<b>464B</b>	Hotel Shelf Mounting Kit	\$128	\$155
<b>XX43-20</b>	20" Hotel Shelf Frame with Towel Bar	\$306	\$366
<b>XX43-24</b>	24" Hotel Shelf Frame with Towel Bar	\$326	\$387




IMPORTANT: Order (1) Mounting Kit plus (1) Frame to make a complete unit.


Available Finishes:		PC	MB PN, SN
<b>464B</b>	Hotel Shelf Mounting Kit	\$128	\$155
<b>XX43S-20</b>	20" Hotel Shelf Frame w/Towel Bar, Squared Corners	\$384	\$463
<b>XX43S-24</b>	24" Hotel Shelf Frame w/Towel Bar, Squared Corners	\$415	\$497



Available Finishes:		PC	MB PN, SN
<b>4681</b>	Single Light 3.6" $\phi$ Rosette	\$466	\$561
<b>4681L</b>	Single Light 4.6" $\phi$ Rosette	\$483	\$580



Available Finishes:		PC	MB PN, SN
<b>4682</b>	Double Light, 3.6" $\phi$ Rosette	\$532	\$638
<b>4682L</b>	Double Light, 4.6" $\phi$ Rosette	\$549	\$662



Available Finishes:		NO FINISH
<b>4641N</b>	16"x34" Overall Frameless Mirror	\$412



# EAST LINEAR

990 | 1500

LAVATORY FAUCETS | TUB & SHOWER | TANK LEVER | ACCESSORIES | GRAB BARS



**990** Widespread Lavatory Faucet  
Cross Handles.  
1/2" valves. Spout c-c 7.13". 8" centers.

\$1,023 \$1,434 \$1,726



**990L** Widespread Lavatory Faucet  
Lever Handles.  
1/2" valves. Spout c-c 7.13". 8" centers.

\$1,023 \$1,434 \$1,726



**1500** Widespread Lavatory Faucet  
Lever Handles.  
1/2" valves. Spout c-c 7.13". 8" centers.

\$1,023 \$1,434 \$1,726



**1503** Single Hole Lavatory Faucet  
2.59" (6.6cm) Spout height at outlet.  
4.03" (10.2cm) Spout reach (c-c).

\$923 \$1,232 \$1,475

**101** Cover Plate, Optional  
6" x 2.5".

\$99 \$142 \$152



**1508** Single Hole Vessel Faucet  
7.92" (20.1cm) spout height at outlet.  
4.03" (10.2cm) spout reach (c-c).  
Drains not included. For lavatory sink drains,  
see Brasstech # 330, 3301, 3302, or 3303.  
For bar sink drains, see #130 or 131.

\$987 \$1,329 \$1,594

**101** Cover Plate, Optional  
6" x 2.5".

\$99 \$142 \$152



**3-991** Wall Mount Lavatory Faucet  
Cross Handles. Spout c-c 9.50". 8" centers.  
Drain not included. See Brasstech  
# 330, 3301, 3302 or 3303.  
MUST ORDER VALVES SEPARATELY.

\$761 \$990 \$1,142

**1-532U** 2-valve rough with 1/2" NPT inlets & outlet.

\$358 — —



**3-991L** Wall Mount Lavatory Faucet  
Lever Handles. Spout c-c 9.50". 8" centers.  
Drain not included. See Brasstech  
# 330, 3301, 3302 or 3303.  
MUST ORDER VALVES SEPARATELY.

\$761 \$990 \$1,142

**1-532U** 2 valve rough with 1/2" NPT inlets & outlet.

\$358 — —



**3-1501** Wall Mount Lavatory Faucet  
Lever Handles. Spout c-c 9.50". 8" center.  
Drain not included. See Brasstech  
# 330, 3301, 3302 or 3303.  
MUST ORDER VALVES SEPARATELY.

\$761 \$990 \$1,142

**1-532U** 2 valve rough with 1/2" NPT inlets & outlet.

\$358 — —



**3-992BP** BP Tub & Shower Set. Cross Handle.  
MUST ORDER VALVE SEPARATELY.

\$942 \$1,227 \$1,415

**1-685** Newport Brass BP Valve with diverter, 4 port with  
service stops, universal 1/2" NPT & direct sweat  
connections.

\$384 — —



**5-992BP** BP Tub & Shower Trim. Cross Handle.  
Less tub spout, showerhead, arm and flange.  
MUST ORDER VALVE SEPARATELY.

\$492 \$638 \$736

**1-685** Newport Brass BP Valve with diverter, 4 port with  
service stops, universal 1/2" NPT & direct sweat  
connections.

\$384 — —

See Shower & Drain Sections to complete shower.



**5-992LBP** BP Tub & Shower Trim. Lever Handle.  
Less tub spout, showerhead, arm and flange.  
MUST ORDER VALVE SEPARATELY.

\$492 \$638 \$736

**1-685** Newport Brass BP Valve with diverter, 4 port with  
service stops, universal 1/2" NPT & direct sweat  
connections.

\$384 — —

See Shower & Drain Sections to complete shower.



**3-1502BP** BP Tub & Shower Set. Lever Handle.  
MUST ORDER VALVE SEPARATELY.

\$942 \$1,227 \$1,415

**1-685** Newport Brass BP Valve with diverter, 4 port with  
service stops, universal 1/2" NPT & direct sweat  
connections.

\$384 — —



**5-1502BP** BP Tub & Shower Trim. Lever Handle.  
Less tub spout, showerhead, arm and flange.  
MUST ORDER VALVE SEPARATELY.

\$492 \$638 \$736

**1-685** Newport Brass BP Valve with diverter, 4 port with  
service stops, universal 1/2" NPT & direct sweat  
connections.

\$384 — —

See Shower & Drain Sections to complete shower.



**3-994BP** BP Shower Set. Cross Handle.  
MUST ORDER VALVE SEPARATELY.

\$705 \$914 \$1,057

**1-684** Newport Brass BP Valve, 3 port with service stops,  
universal 1/2" NPT & direct sweat connections.

\$278 — —



**4-994BP** BP Shower Trim. Cross Handle.  
Less showerhead, arm and flange.  
**MUST ORDER VALVE SEPARATELY.**

\$400 \$519 \$597

**1-684** Newport Brass BP Valve, 3 port with service stops,  
universal 1/2" NPT & direct sweat connections.  
**See Shower & Drain Sections to complete shower.**

\$278 — —



**3-994LBP** BP Shower Set. Lever Handle.  
**MUST ORDER VALVE SEPARATELY.**

\$705 \$914 \$1,057

**1-684** Newport Brass BP Valve, 3 port with service stops,  
universal 1/2" NPT & direct sweat connections.

\$278 — —



**4-994LBP** BP Shower Trim. Lever Handle.  
Less showerhead, arm and flange.  
**MUST ORDER VALVE SEPARATELY.**

\$400 \$519 \$597

**1-684** Newport Brass BP Valve, 3 port with service stops,  
universal 1/2" NPT & direct sweat connections.

\$278 — —

**See Shower & Drain Sections to complete shower.**



**3-1504BP** BP Shower Set. Lever Handle.  
**MUST ORDER VALVE SEPARATELY.**

\$705 \$914 \$1,057

**1-684** Newport Brass BP Valve, 3 port with service stops,  
universal 1/2" NPT & direct sweat connections.

\$278 — —



**4-1504BP** BP Shower Trim. Lever Handle.  
Less showerhead, arm and flange.  
**MUST ORDER VALVE SEPARATELY.**

\$400 \$519 \$597

**1-684** Newport Brass BP Valve, 3 port with service stops,  
universal 1/2" NPT & direct sweat connections.

\$278 — —

**See Shower & Drain Sections to complete shower.**



**3-234** Tub Spout  
1/2" NPT inlet fitting.  
7" spout overall length.

\$227 \$301 \$347



**3-995** Wall Mount Tub Faucet  
Cross Handles.  
**MUST ORDER VALVES SEPARATELY.**

\$761 \$990 \$1,142

**1-500U** 2-valve rough with 1/2" NPT inlets & outlet.

\$358 — —
















**3-995L** Wall Mount Tub Faucet  
Lever Handles.  
**MUST ORDER VALVES SEPARATELY.**

\$761 \$990 \$1,142


**1-500U** 2-valve rough with 1/2" NPT inlets & outlet.


\$358 — —


	<b>3-1505</b>	Wall Mount Tub Faucet Lever Handles. MUST ORDER VALVES SEPARATELY.	\$761	\$990	\$1,142
	<b>1-500U</b>	2-valve rough with 1/2" NPT inlets & outlet.	\$358	—	—
	<b>3-996</b>	Roman Tub Faucet Cross Handles. Spout c-c 7.88". MUST ORDER VALVES SEPARATELY.	\$1,117	\$1,452	\$1,679
	<b>1-502</b>	3/4" valve for above, quick connect included.	\$438	—	—
	<b>3-996L</b>	Roman Tub Faucet Lever Handles. Spout c-c 7.88". MUST ORDER VALVES SEPARATELY.	\$1,117	\$1,452	\$1,679
	<b>1-502</b>	3/4" valve for above, quick connect included.	\$438	—	—
	<b>3-997</b>	Roman Tub Faucet with Handshower Cross Handles. Spout c-c 7.88". MUST ORDER VALVES SEPARATELY.	\$1,504	\$1,954	\$2,252
	<b>1-503</b>	3/4" valve for above. Includes hose and quick connect.	\$883	—	—
	<b>3-997L</b>	Roman Tub Faucet with Handshower Lever Handles. Spout c-c 7.88". MUST ORDER VALVES SEPARATELY.	\$1,504	\$1,954	\$2,252
	<b>1-503</b>	3/4" valve for above. Includes hose and quick connect.	\$883	—	—
	<b>2480-4261</b>	Free Standing Tub Filler 38.03" (96.6cm) spout height at outlet (from floor). 8.66" (22.0cm) spout reach (c-c). 43" overall height. 9.25 gallons (35 liters) per minute maximum flow rate (spout). 1.8 gallons (6.8 liters) per minute maximum flow rate (hand shower).	\$2,276	\$2,883	\$3,738
SEE PAGE 322					
	<b>1-339</b>	Optional Rough for Freestanding Tub Filler For subfloor and concrete floor installations. 4.53" overall height. 7.20" overall base diameter. Universal 3/4" NPT and 1/2" direct sweat connections. Test caps included.	\$323	—	—
	<b>1500-4262</b>	Exposed Tub and Hand Shower Set with Risers Cross Handles. 35.19" (89.4 cm) spout height at outlet (from floor). 9.3" (23.6 cm) spout reach (c-c). 41.9" overall height. 14 gallons (53 liters) per minute maximum flow rate (spout). 1.8 gallons (6.8 liters) per minute maximum flow rate (hand shower).	\$2,601	\$3,399	\$3,982


EAST LINEAR - 990, 1500


NEW


<b>NEW</b>		<b>1500-4263</b> Exposed Tub and Hand Shower Set with Risers Lever Handles. 35.19" (89.4 cm) spout height at outlet (from floor). 9.3" (23.6 cm) spout reach (c-c). 41.9" overall height. 14 gallons (53 liters) per minute maximum flow rate (spout). 1.8 gallons (6.8 liters) per minute maximum flow rate (hand shower).	\$2,601	\$3,399	\$3,982
------------	---	---	---------	---------	---------


<b>NEW</b>		<b>1-469</b> Required Rough for Exposed Tub Filler with Risers For subfloor or concrete floor installations. 3.65" overall height. 10.38" x 5" overall base size. Universal 1/2" NPT connections. Test caps included. For use with 1500-426X tub fillers with risers.	\$549	—	—
------------	---	---	-------	---	---


<b>NEW</b>		<b>1500-4272</b> Exposed Tub and Hand Shower Set - Deck Mount. Cross Handles. 7.03" centers. Spout c-c 9". Includes: 283-101 Hand Shower.	\$1,998	\$2,697	\$3,371
------------	---	--	---------	---------	---------

<b>NEW</b>		<b>1500-4273</b> Exposed Tub and Hand Shower Set - Deck Mount. Lever Handles. 7.03" centers. Spout c-c 9". Includes: 283-101 Hand Shower.	\$1,998	\$2,697	\$3,371
------------	--	--	---------	---------	---------

<b>NEW</b>		<b>1500-4282</b> Exposed Tub and Hand Shower Set - Wall Mount. Cross Handles. 7.03" centers. Spout c-c 9". Includes: 283-101 Hand Shower. No separate riser kit available. <b>MUST ORDER VALVE SEPARATELY.</b>	\$1,798	\$2,497	\$3,171
		<b>1-483</b> Rough for Wall Mount Exposed Tub & Hand Shower Set 1/2" NPT eccentric nipple. Test caps included.	\$439	—	—

<b>NEW</b>		<b>1500-4283</b> Exposed Tub and Hand Shower Set - Wall Mount. Lever Handles. 7.03" centers. Spout c-c 9". Includes: 283-101 Hand Shower. No separate riser kit available. <b>MUST ORDER VALVE SEPARATELY.</b>	\$1,798	\$2,497	\$3,171
		<b>1-483</b> Rough for Wall Mount Exposed Tub & Hand Shower Set 1/2" NPT eccentric nipple. Test caps included.	\$439	—	—

	<b>999L</b> Bidet Set Lever Handles. 1/2" valves. Includes bottom spray with vacuum breaker, 4 hole mount bidet.	\$1,601	\$2,246	\$2,696
---	---	---------	---------	---------

	<b>3-993TR</b> 1/2" Thermostatic Trim Plate with Handles Integrated diverter handle with independent temperature control. <b>MUST ORDER VALVE SEPARATELY.</b>	\$628	\$834	\$960
---	--	-------	-------	-------





**3-1503TR** 1/2" Thermostatic Trim Plate with Handles  
Integrated diverter handle with independent  
temperature control.  
MUST ORDER VALVE SEPARATELY.

\$628 \$834 \$960



**3-993TS** 1/2" Thermostatic Trim Plate with Handles  
Integrated diverter handle with independent  
temperature control.  
MUST ORDER VALVE SEPARATELY.

\$649 \$868 \$996



**3-1503TS** 1/2" Thermostatic Trim Plate with Handles  
Integrated diverter handle with independent  
temperature control.  
MUST ORDER VALVE SEPARATELY.

\$649 \$868 \$996



**1-741**

**1-741** 1/2" Thermostatic Rough-in Valve 1-Port  
**1-742** 1/2" Thermostatic Rough-in Valve 2-Port\*\*  
**1-743** 1/2" Thermostatic Rough-in Valve 3-Port - Shared  
**1-744** 1/2" Thermostatic Rough-in Valve 3-Port\*\*  
**1-745** 1/2" Thermostatic Rough-in Valve 2-Port - Shared  
See page 348 for more details.

\$524 — —  
\$627 — —  
\$686 — —  
\$686 — —  
\$627 — —



**20-146** 1/2" Valve Trim Extension Kit  
Extends 1-3/8". Please specify finish.

\$273 \$368 \$423



**3-994TR** 3/4" Thermostatic Trim Plate with Handle  
MUST ORDER VALVE SEPARATELY.

\$480 \$624 \$719



**3-994LTR** 3/4" Thermostatic Trim Plate with Handle  
MUST ORDER VALVE SEPARATELY.

\$480 \$624 \$719



**3-1504TR** 3/4" Thermostatic Trim Plate with Handle  
MUST ORDER VALVE SEPARATELY.

\$480 \$624 \$719

EAST LINEAR - 990, 1500

\*\*Cal Green compliant



**1-540** 3/4" Thermostatic Rough-in Valve  
 Flow rate of 18 gallons per minute at 60 PSI.  
 Factory calibrated comfort setting at 100-deg F,  
 built-in check valves with service stops.  
 IAPMO Listed. Meets ASSE Standard 1016.  
 MUST USE WITH SEPARATE STOP/VOLUME CONTROL

\$794 — —



**2-260** 3/4" Valve trim extension kit  
 Extends 1-3/8". Please specify finish.

\$190 \$259 \$311



**3-227** Diverter/Flow Control Trim  
 Use with stop or diverter valves, see page 355.

\$239 \$336 \$403



**3-227LH** Diverter/Flow Control Trim. Hot.  
 Use with stop or diverter valves, see page 355.

\$239 \$336 \$403



**3-255** Diverter/Flow Control Trim  
 Use with stop or diverter valves, see page 355.

\$239 \$336 \$403



**1-606U** 1/2" inlet/outlet universal stop valve.  
 (clockwise off, for cross or lever handle)

\$195 — —

**1-607U** 3/4" inlet/outlet universal stop valve.  
 (clockwise off, for cross or lever handle)

\$265 — —



**1-617** 1/2" In-wall 2 & 3 way diverter valve  
 1 inlet, 3 outlets.\*\*

\$279 — —



1/2" in-wall diverter valves\* with:

**1-701** 3 function with off. 1 inlet, 3 outlets.\*\* \$334 — —  
**1-702** 5 function with share and off. 1 inlet, 3 outlets. \$334 — —  
**1-703** 3 function with pause. 1 inlet, 3 outlets.\*\* \$334 — —

\*SEE PAGES 312-315 FOR HOW TO USE THESE DIVERTERS.



\*SEE PAGES 312-315 FOR HOW TO USE THESE DIVERTERS.

1/2" in-wall diverter valves\* with:

<b>1-704</b>	2 function with off. 1 inlet, 2 outlets.**	\$334	—	—
<b>1-705</b>	3 function with share and off. 1 inlet, 2 outlets.	\$334	—	—
<b>1-706</b>	2 function with pause. 1 inlet, 2 outlets.**	\$334	—	—
<b>1-707</b>	3 function with share (no off). 1 inlet, 2 outlets.	\$334	—	—



<b>2-111H</b>	Tank Lever for East Linear Series	\$192	\$269	\$327
<b>6-505</b>	Tank Lever Mechanism	\$115	\$139	\$155



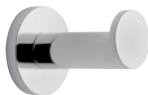
<b>20-289</b>	Tank Lever for East Linear Series	\$192	\$269	\$327
<b>6-505</b>	Tank Lever Mechanism	\$115	\$139	\$155



<b>990-1200</b>	8" Towel Bar	\$128	\$155	\$224
-----------------	--------------	-------	-------	-------



<b>990-1230</b>	18" Towel Bar	\$170	\$202	\$293
<b>990-1250</b>	24" Towel Bar	\$179	\$216	\$306



<b>990-1650</b>	Single Robe Hook	\$67	\$83	\$120
-----------------	------------------	------	------	-------



<b>990-1660</b>	Robe Hook	\$89	\$106	\$154
-----------------	-----------	------	-------	-------



<b>990-1570</b>	Open Toilet Tissue Holder	\$114	\$139	\$201
-----------------	---------------------------	-------	-------	-------

EAST LINEAR - 990, 1500

\*\*Cal Green compliant



990-1500 Double Post Toilet Tissue Holder

\$182

\$217

\$314

**HOW TO ORDER:** **STEP 1:** Select Decorative Rings and Mounting Kit  
**STEP 2:** Select Grab Bar Tube



**STEP 1:** 990-2400 Decorative Rings and Mounting Kit

\$160

\$218

\$274

**STEP 2:**

5080 12" Grab Bar Tube

\$140

\$206

\$230

5081 16" Grab Bar Tube

\$166

\$233

\$293

5082 18" Grab Bar Tube

\$187

\$260

\$285

5083 24" Grab Bar Tube

\$224

\$301

\$347

5085 36" Grab Bar Tube

\$330

\$410

\$485



990-3942 42" Grab Bar

\$599

\$781

\$944

Sold as complete unit






Available Finishes:		PC	SN
<b>0222-24</b>	24" Double Towel Bar	\$317	\$367



Available Finishes:		PC	SN
<b>0218CT-10-10</b>	Corner Shelf	\$129	\$159




Available Finishes:		PC	SN
<b>0218T-18</b>	18" Shelf	\$158	\$189



Available Finishes:		PC	SN
<b>0219T-18</b>	18" Shelf with Towel Bar	\$385	\$463



Available Finishes:		PC	SN
<b>0234T-18</b>	18" Shelf	\$192	\$230



Available Finishes:		PC	SN
<b>0240-24</b>	24" Hotel Shelf	\$413	\$484



Available Finishes:		PC	SN
<b>0243-24</b>	24" Hotel Shelf w/towel bar	\$512	\$591

# EAST SQUARE

## I 400



LAVATORY FAUCETS | TUB & SHOWER | ACCESSORIES | GRAB BARS



<b>1400</b>	Widespread Lavatory Faucet 1/2" valves. Spout c-c 6.13". 8" centers. Cross handles.	\$1,023	\$1,434	\$1,726
-------------	---	---------	---------	---------



<b>1400L</b>	Widespread Lavatory Faucet 1/2" valves. Spout c-c 6.13". 8" centers. Lever handles.	\$1,023	\$1,434	\$1,726
--------------	---	---------	---------	---------



<b>3-992BP</b>	BP Tub & Shower Set. Cross Handle. MUST ORDER VALVE SEPARATELY.	\$942	\$1,227	\$1,415
----------------	--	-------	---------	---------



<b>1-685</b>	Newport Brass BP Valve with diverter, 4 port with service stops, universal 1/2" NPT & direct sweat connections.	\$384	—	—
--------------	---	-------	---	---



<b>5-992BP</b>	BP Tub & Shower Trim. Cross Handle. Less tub spout, showerhead, arm and flange. MUST ORDER VALVE SEPARATELY.	\$492	\$638	\$736
----------------	--	-------	-------	-------

<b>1-685</b>	Newport Brass BP Valve with diverter, 4 port with service stops, universal 1/2" NPT & direct sweat connections.	\$384	—	—
--------------	---	-------	---	---

**See Shower & Drain Sections to complete shower.**



<b>5-992LBP</b>	BP Tub & Shower Trim. Lever Handle. Less tub spout, showerhead, arm and flange. MUST ORDER VALVE SEPARATELY.	\$492	\$638	\$736
-----------------	--	-------	-------	-------

<b>1-685</b>	Newport Brass BP Valve with diverter, 4 port with service stops, universal 1/2" NPT & direct sweat connections.	\$384	—	—
--------------	---	-------	---	---









**See Shower & Drain Sections to complete shower.**



<b>3-994BP</b>	BP Shower Set. Cross Handle. MUST ORDER VALVE SEPARATELY.	\$705	\$914	\$1,057
----------------	--	-------	-------	---------



<b>1-684</b>	Newport Brass BP Valve, 3 port with service stops, universal 1/2" NPT & direct sweat connections.	\$278	—	—
--------------	--	-------	---	---

	<b>4-994BP</b>	BP Shower Trim. Cross Handle. Less showerhead, arm and flange. MUST ORDER VALVE SEPARATELY.	\$400	\$519	\$597
	<b>1-684</b>	Newport Brass BP Valve, 3 port with service stops, universal 1/2" NPT & direct sweat connections. <b>See Shower &amp; Drain Sections to complete shower.</b>	\$278	—	—
	<b>3-994LBP</b>	BP Shower Set. Lever Handle. MUST ORDER VALVE SEPARATELY.	\$705	\$914	\$1,057
	<b>1-684</b>	Newport Brass BP Valve, 3 port with service stops, universal 1/2" NPT & direct sweat connections.	\$278	—	—
	<b>4-994LBP</b>	BP Shower Trim. Lever Handle. Less showerhead, arm and flange. MUST ORDER VALVE SEPARATELY.	\$400	\$519	\$597
	<b>1-684</b>	Newport Brass BP Valve, 3 port with service stops, universal 1/2" NPT & direct sweat connections. <b>See Shower &amp; Drain Sections to complete shower.</b>	\$278	—	—
	<b>3-234</b>	Tub Spout 1/2" NPT inlet fitting. 7" spout overall length.	\$227	\$301	\$347
	<b>3-1406L</b>	Roman Tub Faucet Lever Handles. Spout c-c 8.25". MUST ORDER VALVES SEPARATELY.	\$1,117	\$1,452	\$1,679
	<b>1-502</b>	3/4" valve for above, quick connect included.	\$438	—	—
	<b>3-1407L</b>	Roman Tub Faucet with Handshower Lever Handles. Spout c-c 8.25". MUST ORDER VALVES SEPARATELY.	\$1,504	\$1,954	\$2,252
	<b>1-503</b>	3/4" valve for above. Includes hose and quick connect.	\$883	—	—
	<b>999L</b>	Bidet Set Lever Handles. 1/2" valves. Includes bottom spray with vacuum breaker, 4 hole mount bidet.	\$1,601	\$2,246	\$2,696
	<b>1400-4261</b>	Free Standing Tub Filler 36.53" (92.7cm) spout height at outlet (from floor). 10.05" (25.5cm) spout reach (c-c). 40.37" overall height. 9.25 gallons (35 liters) per minute maximum flow rate (spout). 1.8 gallons (6.8 liters) per minute maximum flow rate (hand shower).	\$2,276	\$2,883	\$3,738

SEE PAGE 321

EAST SQUARE - 1400



**1-339** Optional Rough for Freestanding Tub Filler \$323 — —  
 For subfloor and concrete floor installations.  
 4.53" overall height.  
 7.20" overall base diameter.  
 Universal 3/4" NPT and 1/2" direct sweat connections.  
 Test caps included.

**NEW**



**1400-4262** Exposed Tub and Hand Shower Set with Risers \$2,601 \$3,399 \$3,982  
 Cross Handles.  
 35.19" (89.4 cm) spout height at outlet (from floor).  
 9.3" (23.6 cm) spout reach (c-c).  
 41.9" overall height.  
 14 gallons (53 liters) per minute maximum flow rate (spout).  
 1.8 gallons (6.8 liters) per minute maximum flow rate (hand shower).

**NEW**



**1400-4263** Exposed Tub and Hand Shower Set with Risers \$2,601 \$3,399 \$3,982  
 Lever Handles.  
 35.19" (89.4 cm) spout height at outlet (from floor).  
 9.3" (23.6 cm) spout reach (c-c).  
 41.9" overall height.  
 14 gallons (53 liters) per minute maximum flow rate (spout).  
 1.8 gallons (6.8 liters) per minute maximum flow rate (hand shower).

**NEW**



**1-469** Required Rough for Exposed Tub Filler \$549 — —  
 with Risers  
 For subfloor or concrete floor installations.  
 3.65" overall height.  
 10.38" x 5" overall base size.  
 Universal 1/2" NPT connections. Test caps included.  
 For use with 1400-426X tub fillers with risers.

**NEW**



**1400-4272** Exposed Tub and Hand Shower Set - Deck Mount. \$1,998 \$2,697 \$3,371  
 Cross Handles.  
 7.03" centers. Spout c-c 9".  
 Includes: 283-101 Hand Shower

**NEW**



**1400-4273** Exposed Tub and Hand Shower Set - Deck Mount. \$1,998 \$2,697 \$3,371  
 Lever Handles.  
 7.03" centers. Spout c-c 9".  
 Includes: 283-101 Hand Shower

**NEW**



**1400-4282** Exposed Tub and Hand Shower Set - Wall Mount. \$1,798 \$2,497 \$3,171  
 Cross Handles. 7.03" centers. Spout c-c 9".  
 Includes: 283-101 Hand Shower. No separate riser kit available.  
**MUST ORDER VALVE SEPARATELY.**

**1-483** Rough for Wall Mount Exposed Tub & Hand Shower Set \$439 — —  
 1/2" NPT eccentric nipple. Test caps included.

**NEW**



**1400-4283** Exposed Tub and Hand Shower Set - Wall Mount \$1,798 \$2,497 \$3,171  
 Lever Handles. 7.03" centers. Spout c-c 9".  
 Includes: No.283-101 Hand Shower. No separate riser kit available.  
**MUST ORDER VALVE SEPARATELY.**

**1-483** Rough for Wall Mount Exposed Tub & Hand Shower Set \$439 — —  
 1/2" NPT eccentric nipple. Test caps included.





**3-993TR** 1/2" Thermostatic Trim Plate with Handles  
Integrated diverter handle with independent  
temperature control.  
MUST ORDER VALVE SEPARATELY.

\$628 \$834 \$960



**3-1503TR** 1/2" Thermostatic Trim Plate with Handles  
Integrated diverter handle with independent  
temperature control.  
MUST ORDER VALVE SEPARATELY.

\$628 \$834 \$960



**3-993TS** 1/2" Thermostatic Trim Plate with Handles  
Integrated diverter handle with independent  
temperature control.  
MUST ORDER VALVE SEPARATELY.

\$649 \$868 \$996



**3-1503TS** 1/2" Thermostatic Trim Plate with Handles  
Integrated diverter handle with independent  
temperature control.  
MUST ORDER VALVE SEPARATELY.

\$649 \$868 \$996



1-741

**1-741** 1/2" Thermostatic Rough-in Valve 1-Port  
**1-742** 1/2" Thermostatic Rough-in Valve 2-Port\*\*  
**1-743** 1/2" Thermostatic Rough-in Valve 3-Port - Shared  
**1-744** 1/2" Thermostatic Rough-in Valve 3-Port\*\*  
**1-745** 1/2" Thermostatic Rough-in Valve 2-Port - Shared  
See page 348 for more details.

\$524 — —  
\$627 — —  
\$686 — —  
\$686 — —  
\$627 — —



**20-146** 1/2" Valve Trim Extension Kit  
Extends 1-3/8". Please specify finish.

\$273 \$368 \$423



**3-994TR** 3/4" Thermostatic Trim Plate with Handle  
MUST ORDER VALVE SEPARATELY.

\$480 \$624 \$719



**3-994LTR** 3/4" Thermostatic Trim Plate with Handle  
MUST ORDER VALVE SEPARATELY.

\$480 \$624 \$719



**1-540** 3/4" Thermostatic Rough-in Valve  
 Flow rate of 18 gallons per minute at 60 PSI.  
 Factory calibrated comfort setting at 100-deg F,  
 built-in check valves with service stops.  
 IAPMO Listed. Meets ASSE Standard 1016.

\$794 — —

**MUST USE WITH SEPARATE STOP/VOLUME CONTROL**



**2-260** 3/4" Valve trim extension kit  
 Extends 1-3/8". Please specify finish.

\$190 \$259 \$311



**3-227** Diverter/Flow Control Trim  
 Use with stop or diverter valves, see page 355.

\$239 \$336 \$403



**3-227LH** Diverter/Flow Control Trim, Hot  
 Use with stop or diverter valves, see page 355.

\$239 \$336 \$403



**1-606U** 1/2" inlet/outlet universal stop valve.  
 (clockwise off, for cross or lever handle)

\$195 — —

**1-607U** 3/4" inlet/outlet universal stop valve.  
 (clockwise off, for cross or lever handle)

\$265 — —



**1-617** 1/2" In-wall 2 & 3 way diverter valve  
 1 inlet, 3 outlets.\*\*

\$279 — —

1/2" in-wall diverter valves\* with:



\*SEE PAGES 312-315  
 FOR HOW TO USE  
 THESE DIVERTERS.

**1-701** 3 function with off. 1 inlet, 3 outlets.\*\* \$334 — —

**1-702** 5 function with share and off. 1 inlet, 3 outlets. \$334 — —



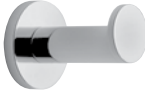
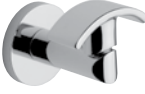


**1-703** 3 function with pause. 1 inlet, 3 outlets.\*\* \$334 — —

**1-704** 2 function with off. 1 inlet, 2 outlets.\*\* \$334 — —

**1-705** 3 function with share and off. 1 inlet, 2 outlets. \$334 — —



**1-706** 2 function with pause. 1 inlet, 2 outlets.\*\* \$334 — —

**1-707** 3 function with share (no off). 1 inlet, 2 outlets. \$334 — —

	<b>990-1200</b> 8" Towel Bar	\$128	\$155	\$224
	<b>990-1230</b> 18" Towel Bar	\$170	\$202	\$293
	<b>990-1250</b> 24" Towel Bar	\$179	\$216	\$306
	<b>990-1650</b> Single Robe Hook	\$67	\$83	\$120
	<b>990-1660</b> Robe Hook	\$89	\$106	\$154
	<b>990-1570</b> Open Toilet Tissue Holder	\$114	\$139	\$201
	<b>990-1500</b> Double Post Toilet Tissue Holder	\$182	\$217	\$314

EAST SQUARE - I400

**HOW TO ORDER:** **STEP 1:** Select Decorative Rings and Mounting Kit  
**STEP 2:** Select Grab Bar Tube

	<b>STEP 1:</b> <b>990-2400</b> Decorative Rings and Mounting Kit	\$160	\$218	\$274
	<b>STEP 2:</b> <b>5080</b> 12" Grab Bar Tube	\$140	\$206	\$230
	<b>5081</b> 16" Grab Bar Tube	\$166	\$233	\$293
	<b>5082</b> 18" Grab Bar Tube	\$187	\$260	\$285
	<b>5083</b> 24" Grab Bar Tube	\$224	\$301	\$347
	<b>5085</b> 36" Grab Bar Tube	\$330	\$410	\$485



I

II

III



**990-3942** 42" Grab Bar

\$599

\$781


\$944

Sold as complete unit





Available Finishes:		PC	SN
<b>0222-24</b>	24" Double Towel Bar	\$317	\$367



Available Finishes:		PC	SN
<b>0218CT-10-10</b>	Corner Shelf	\$129	\$159



Available Finishes:		PC	SN
<b>0218T-18</b>	18" Shelf	\$158	\$189



Available Finishes:		PC	SN
<b>0219T-18</b>	18" Shelf with Towel Bar	\$385	\$463



Available Finishes:		PC	SN
<b>0234T-18</b>	18" Shelf	\$192	\$230



Available Finishes:		PC	SN
<b>0240-24</b>	24" Hotel Shelf	\$413	\$484



Available Finishes:		PC	SN
<b>0243-24</b>	24" Hotel Shelf w/towel bar	\$512	\$591

# FAIRFIELD

## 1000

NOTE: HOT & COLD HANDLE  
BUTTONS ARE IN FRENCH



LAVATORY FAUCETS | TUB & SHOWER | ACCESSORIES | GRAB BARS



**1000** Widespread Lavatory Faucet  
Cross Handles. 1/2" valves.  
Spout c-c 6.96". 8" centers. \$878 \$1,251 \$1,505



**1000B** Lavatory Bridge Faucet  
Cross Handles. 1/2" valves.  
Swivel Spout. Leg c-c 8" and 9.62" max.  
Spout c-c 5.33" and 7.21" max. \$1,051 \$1,426 \$1,714



**3-947** Wall Mount Lavatory Faucet  
Cross Handles. Spout c-c 9.78". 8" centers.  
Drain not included. See Brasstech  
#330, 3301, 3302 or 3303.  
MUST ORDER VALVES SEPARATELY. \$798 \$1,078 \$1,238

**1-532U** 2-valve rough with 1/2" NPT inlets & outlet. \$358 — —



**3-1003** Wall Mount Lavatory Faucet  
Cross Handles. Spout c-c 7.25". 8" centers.  
Drain not included. See Brasstech  
#330, 3301, 3302 or 3303.  
MUST ORDER VALVES SEPARATELY. \$798 \$1,078 \$1,238

**1-532U** 2-valve rough with 1/2" NPT inlets & outlet. \$358 — —



**5-1002BP** BP Tub & Shower Trim. Cross Handle.  
Less tub spout, showerhead, arm and flange.  
MUST ORDER VALVE SEPARATELY. \$450 \$586 \$677











**1-685** Newport Brass BP Valve with diverter, 4 port with  
service stops, universal 1/2" NPT & direct sweat  
connections. \$384 — —

See Shower & Drain Sections to complete shower.



**3-1004BP** BP Shower Set. Cross Handle.  
MUST ORDER VALVE SEPARATELY. \$690 \$895 \$998

**1-684** Newport Brass BP Valve, 3 port with service stops,  
universal 1/2" NPT & direct sweat connections \$278 — —

	<b>4-1004BP</b>	BP Shower Trim. Cross Handle. Less showerhead, arm and flange. MUST ORDER VALVE SEPARATELY.	\$359	\$468	\$542
	<b>1-684</b>	Newport Brass BP Valve, 3 port with service stops, universal 1/2" NPT & direct sweat connections <b>See Shower &amp; Drain Sections to complete shower.</b>	\$278	—	—
	<b>2-144</b>	Tub Spout 1/2" NPT inlet fitting. 7.56" spout overall length.	\$230	\$312	\$358
	<b>3-1006</b>	Roman Tub Faucet Cross Handles. Spout c-c 11.52". MUST ORDER VALVES SEPARATELY.	\$1,036	\$1,350	\$1,559
	<b>1-502</b>	3/4" valve for above, quick connect included.	\$438	—	—
	<b>3-1007</b>	Roman Tub Faucet with Handshower Cross Handles. Spout c-c 11.52". MUST ORDER VALVES SEPARATELY.	\$1,398	\$1,818	\$2,097
	<b>1-503</b>	3/4" valve for above. Includes hose and quick connect.	\$883	—	—
 	<b>1013</b>	Exposed Tub & Hand Shower Set Deck mounted. 7.25" centers. Spout c-c 9.11". Includes: 281 Hand Shower  Floor Mount Kit item 3-196 or 3-226 sold separately.	\$1,515	\$2,121	\$2,543
 	<b>1014</b>	Exposed Tub & Hand Shower Set Wall-mounted. 6" centers. Spout c-c 7". Includes: 281 Hand Shower  Floor Mount Kit item 3-196 or 3-226 sold separately.	\$1,444	\$2,018	\$2,424
	<b>3-196</b>	Floor Mount Kit for Exposed Tub Sets Set includes: 2 each Floor Flanges 2 each 3/4" Risers - 31" high. Stabilizer Kit sold separately.	\$637	\$888	\$1,066
	<b>3-226</b>	Same as above only 24" high.	\$612	\$855	\$1,029
	<b>3-192</b>	3/4" Shut-off Valves for above (1 pair hot & cold).	\$896	\$1,065	\$1,278
	<b>1-378</b>	Optional Rough For Exposed Tub Filler For subfloor or concrete floor installations. 3.65" overall height. 10.38" x 5" overall base size. Universal 1/2" NPT connections. Test caps included. For use with 3-196 or 3-226 tub risers.	\$440	—	—



**2-734** Stabilizer Kit for Exposed Tub Floor Riser Kits  
Adjustable for risers that are 6" to 9" apart.  
Includes 1-1/2" finished ring for connecting kit to  
tub overflow pipe. Finished plate for wall mounting  
up to 10" center of riser pipes.

\$314 \$406 \$435

Wall Mount Plate



**1009** Bidet Set  
Cross Handles. 1/2" valves.  
Includes bottom spray with vacuum breaker,  
4 hole mount bidet.

\$1,585 \$2,217 \$2,662



**3-1003TR** 1/2" Thermostatic Trim Plate with Handles  
Integrated diverter handle with independent  
temperature control.  
MUST ORDER VALVE SEPARATELY.

\$587 \$789 \$905



**3-1003TS** 1/2" Thermostatic Trim Plate with Handles  
Integrated diverter handle with independent  
temperature control.  
MUST ORDER VALVE SEPARATELY.

\$628 \$834 \$960



1-741

**1-741** 1/2" Thermostatic Rough-in Valve 1-Port  
**1-742** 1/2" Thermostatic Rough-in Valve 2-Port\*\*  
**1-743** 1/2" Thermostatic Rough-in Valve 3-Port - Shared  
**1-744** 1/2" Thermostatic Rough-in Valve 3-Port\*\*  
**1-745** 1/2" Thermostatic Rough-in Valve 2-Port - Shared

\$524 — —  
\$627 — —  
\$686 — —  
\$686 — —  
\$627 — —

See page 348 for more details.



**20-146** 1/2" Valve Trim Extension Kit  
Extends 1-3/8". Please specify finish.

\$273 \$368 \$423



**3-1004TR** 3/4" Thermostatic Trim Plate with Handle  
MUST ORDER VALVE SEPARATELY.

\$480 \$624 \$719



**1-540** 3/4" Thermostatic Rough-in Valve  
Flow rate of 18 gallons per minute at 60 PSI.  
Factory calibrated comfort setting at 100-deg F,  
built-in check valves with service stops.  
IAPMO Listed. Meets ASSE Standard 1016.

\$794 — —

MUST USE WITH SEPARATE STOP/VOLUME CONTROL





**2-260** 3/4" Valve trim extension kit  
Extends 1-3/8". Please specify finish. \$190 \$259 \$311



**3-230** Diverter/Flow Control Trim, Arrow. \$210 \$293 \$353  
**3-230B** Diverter/Flow Control Trim, Plain Insert. \$210 \$293 \$353  
 NOTE: HOT & COLD HANDLE BUTTONS ARE IN FRENCH.  
 Use with stop or diverter valves, see page 355.



**1-606U** 1/2" inlet/outlet universal stop valve.  
(clockwise off, for cross or lever handle) \$195 — —  
**1-607U** 3/4" inlet/outlet universal stop valve.  
(clockwise off, for cross or lever handle) \$265 — —



**1-617** 1/2" In-wall 2 & 3 way diverter valve  
1 inlet, 3 outlets.\*\* \$279 — —

1/2" in-wall diverter valves\* with:



\*SEE PAGES 312-315  
FOR HOW TO USE  
THESE DIVERTERS.

**1-701** 3 function with off. 1 inlet, 3 outlets.\*\* \$334 — —  
**1-702** 5 function with share and off. 1 inlet, 3 outlets. \$334 — —  
**1-703** 3 function with pause. 1 inlet, 3 outlets.\*\* \$334 — —  
**1-704** 2 function with off. 1 inlet, 2 outlets.\*\* \$334 — —  
**1-705** 3 function with share and off. 1 inlet, 2 outlets. \$334 — —  
**1-706** 2 function with pause. 1 inlet, 2 outlets.\*\* \$334 — —  
**1-707** 3 function with share (no off). 1 inlet, 2 outlets. \$334 — —



**890-1230** 18" Towel Bar \$208 \$253 \$304  
**890-1250** 24" Towel Bar \$227 \$269 \$324



**890-1400** Towel Ring - Open \$192 \$230 \$277

FAIRFIELD - 1000, 2100



890-1410 Towel Ring

\$154 \$185 \$222



890-1650 Single Robe Hook

\$68 \$83 \$99



890-1660 Double Robe Hook

\$138 \$166 \$199



890-1510 Hanging Toilet Tissue Holder

\$192 \$230 \$277



890-1500 Double Post Toilet Tissue Holder

\$204 \$248 \$297

**HOW TO ORDER:** STEP 1: Select Decorative Rings and Mounting Kit  
STEP 2: Select Grab Bar Tube



STEP 1: 920-2400 Decorative Rings and Mounting Kit

\$160 \$218 \$274

STEP 2: 5080 12" Grab Bar Tube

\$140 \$206 \$230

5081 16" Grab Bar Tube

\$166 \$233 \$293

5082 18" Grab Bar Tube

\$187 \$260 \$285

5083 24" Grab Bar Tube

\$224 \$301 \$347

5085 36" Grab Bar Tube

\$330 \$410 \$485



920-3942 42" Grab Bar

\$599 \$781 \$944

Sold as complete unit





Available Finishes:		PC	PN SN
<b>1101</b>	12" Towel Bar	\$197	\$233
<b>G1104</b>	32" Towel Bar	\$260	\$312



Available Finishes:		PC	PN SN
<b>1122-18</b>	18" Double Towel Bar	\$419	\$501
<b>1122-24</b>	24" Double Towel Bar	\$451	\$541
<b>1122-32</b>	32" Double Towel Bar	\$454	NA



Available Finishes:		PC	PN SN
<b>1107</b>	Spare Toilet Tissue Holder	\$183	\$221




Available Finishes:		PC	PN SN
<b>1108D</b>	Double Post Tissue Holder	\$348	\$420



Available Finishes:		PC	PN SN
<b>1127</b>	Hooded Toilet Tissue Holder	\$219	\$262



Available Finishes:		PC	PN SN
<b>1118T-18</b>	18" Shelf	\$322	\$385




Available Finishes:		PC	PN SN
<b>1135T-18</b>	18" Gallery Shelf	\$441	\$528
<b>1135T-24</b>	24" Gallery Shelf	\$498	NA



IMPORTANT: Order (1) Mounting Kit plus (1) Frame to make a complete unit.

Available Finishes:		PC	PN SN
<b>114B</b>	Hotel Shelf Mounting Kit	\$137	\$164
<b>XX43-20</b>	20" Hotel Shelf Frame with Towel Bar	\$306	\$366
<b>XX43-24</b>	24" Hotel Shelf Frame with Towel Bar	\$326	\$387



IMPORTANT: Order (1) Mounting Kit plus (1) Frame to make a complete unit.


Available Finishes:		PC	PN SN
<b>114B</b>	Hotel Shelf Mounting Kit	\$137	\$164
<b>XX43S-20</b>	20" Hotel Shelf Frame with Towel Bar, Squared Corners	\$384	\$463
<b>XX43S-24</b>	24" Hotel Shelf Frame with Towel Bar, Squared Corners	\$415	\$497



Available Finishes:		PC	PN SN
<b>1181</b>	Single Light with Nightlight Option, Satin Etched Glass	\$429	\$513



Available Finishes:		PC	PN SN
<b>1182</b>	Double Light Satin Etched Glass	\$655	\$765



\*\*Mirror tilts 4.5° with mechanism.

Available Finishes:		PC	PN SN
<b>1141</b>	Framed Mirror 20.39" x 35" overall	\$748	\$859
<b>MTM-009</b>	Tilting Mechanism Optional**	\$88	\$88

# GRIFFEY

## 3270 | 3280



LAVATORY FAUCETS | TUB & SHOWER | ACCESSORIES | GRAB BARS



**3270** Widespread Lavatory Faucet  
Lever Handles.  
1/2" valves. Spout c-c 6.13".  
8" centers. \$1,132 \$1,584 \$1,867



**3280** Widespread Lavatory Faucet  
Cross Handles.  
1/2" valves. Spout c-c 6.13".  
8" centers. \$1,132 \$1,584 \$1,867



**3-3271** Wall Mount Lavatory Faucet  
Lever Handles. Spout c-c 8.25".  
8" centers. Drain not included. See  
Brasstech #330, 3301, 3302 or 3303.  
MUST ORDER VALVE SEPARATELY. \$855 \$1,196 \$1,494

**1-532U** 2-valve rough with 1/2" NPT inlets & outlet. \$358 — —



**3-3281** Wall Mount Lavatory Faucet  
Cross Handles. Spout c-c 8.25".  
8" centers. Drain not included. See  
Brasstech #330, 3301, 3302 or 3303.  
MUST ORDER VALVE SEPARATELY. \$855 \$1,196 \$1,494

**1-532U** 2-valve rough with 1/2" NPT inlets & outlet. \$358 — —



**5-3272BP** BP Tub & Shower Trim. Lever Handle.  
Less tub spout, showerhead, arm and flange.  
MUST ORDER VALVE SEPARATELY. \$759 \$1,062 \$1,191

**1-685** Newport Brass BP Valve with diverter, 4 port with  
service stops, universal 1/2" NPT & direct sweat  
connections. \$384 — —







See Shower & Drain Sections to complete shower.



**5-3282BP** BP Tub & Shower Trim. Cross Handle.  
Less tub spout, showerhead, arm and flange.  
MUST ORDER VALVE SEPARATELY. \$759 \$1,062 \$1,191

**1-685** Newport Brass BP Valve with diverter, 4 port with  
service stops, universal 1/2" NPT & direct sweat  
connections. \$384 — —

See Shower & Drain Sections to complete shower.

	<b>4-3274BP</b>	BP Shower Trim. Lever Handle. Less showerhead, arm and flange. MUST ORDER VALVE SEPARATELY.	\$674	\$942	\$1,076
	<b>1-684</b>	Newport Brass BP Valve, 3 port with service stops, universal 1/2" NPT & direct sweat connections. <b>See Shower &amp; Drain Sections to complete shower.</b>	\$278	—	—
	<b>4-3284BP</b>	BP Shower Trim. Cross Handle. Less showerhead, arm and flange. MUST ORDER VALVE SEPARATELY.	\$674	\$942	\$1,076
	<b>1-684</b>	Newport Brass BP Valve, 3 port with service stops, universal 1/2" NPT & direct sweat connections. <b>See Shower &amp; Drain Sections to complete shower.</b>	\$278	—	—
	<b>3-643</b>	Tub Spout 1/2" NPT inlet fitting. 8.79" spout overall length.	\$363	\$491	\$564
	<b>3-3275</b>	Wall Mount Tub Faucet. Lever Handles. MUST ORDER VALVE SEPARATELY.	\$898	\$1,257	\$1,457
	<b>1-500U</b>	2-valve rough with 1/2" NPT inlets & outlet.	\$358	—	—
	<b>3-3285</b>	Wall Mount Tub Faucet. Cross Handles. MUST ORDER VALVE SEPARATELY.	\$898	\$1,257	\$1,457
	<b>1-500U</b>	2-valve rough with 1/2" NPT inlets & outlet.	\$358	—	—
	<b>3-3276</b>	Roman Tub Faucet Lever Handles. Spout c-c 8.25". MUST ORDER VALVE SEPARATELY.	\$1,339	\$1,874	\$2,153
	<b>1-697</b>	3/4" Valve for above. Quick connect included.	\$438	—	—
	<b>3-3286</b>	Roman Tub Faucet Cross Handles. Spout c-c 8.25". MUST ORDER VALVE SEPARATELY.	\$1,339	\$1,874	\$2,153
	<b>1-697</b>	3/4" Valve for above. Quick connect included.	\$438	—	—
	<b>3-3277</b>	Roman Tub Faucet with Handshower Lever Handles. Spout c-c 8.25". MUST ORDER VALVE SEPARATELY.	\$1,782	\$2,358	\$2,778
	<b>1-698</b>	3/4" valve for above. Includes hose and quick connect.	\$883	—	—



<b>3-3287</b>	Roman Tub Faucet with Handshower Cross Handles. Spout c-c 8.25". MUST ORDER VALVE SEPARATELY.	\$1,782	\$2,358	\$2,778
<b>1-698</b>	3/4" valve for above. Includes hose and quick connect.	\$883	—	—



<b>3279</b>	Bidet Set Lever Handles. 1/2" valves. Includes bottom spray with vacuum breaker, 4 hole mount bidet.	\$1,945	\$2,721	\$2,994
-------------	--	---------	---------	---------



<b>3289</b>	Bidet Set Cross Handles. 1/2" valves. Includes bottom spray with vacuum breaker, 4 hole mount bidet.	\$1,945	\$2,721	\$2,994
-------------	--	---------	---------	---------



<b>3-3273TR</b>	1/2" Thermostatic Trim Plate with Handles Integrated diverter handle with independent temperature control. MUST ORDER VALVE SEPARATELY.	\$827	\$1,159	\$1,335
-----------------	---	-------	---------	---------



<b>3-3283TR</b>	1/2" Thermostatic Trim Plate with Handles Integrated diverter handle with independent temperature control. MUST ORDER VALVE SEPARATELY.	\$827	\$1,159	\$1,335
-----------------	---	-------	---------	---------



**1-741**

<b>1-741</b>	1/2" Thermostatic Rough-in Valve 1-Port	\$524	—	—
<b>1-742</b>	1/2" Thermostatic Rough-in Valve 2-Port**	\$627	—	—
<b>1-743</b>	1/2" Thermostatic Rough-in Valve 3-Port - Shared	\$686	—	—
<b>1-744</b>	1/2" Thermostatic Rough-in Valve 3-Port**	\$686	—	—
<b>1-745</b>	1/2" Thermostatic Rough-in Valve 2-Port - Shared	\$627	—	—

See page 348 for more details.



<b>20-146</b>	1/2" Valve Trim Extension Kit Extends 1-3/8". Please specify finish.	\$273	\$368	\$423
---------------	---	-------	-------	-------



<b>3-3274TR</b>	3/4" Thermostatic Trim Plate with Handle MUST ORDER VALVE SEPARATELY.	\$775	\$1,044	\$1,298
-----------------	--	-------	---------	---------



**3-3284TR** 3/4" Thermostatic Trim Plate with Handle  
MUST ORDER VALVE SEPARATELY. \$775 \$1,044 \$1,298



**1-540** 3/4" Thermostatic Rough-in Valve  
Flow rate of 18 gallons per minute at 60 PSI.  
Factory calibrated comfort setting at 100-deg F,  
built-in check valves with service stops.  
IAPMO Listed. Meets ASSE Standard 1016.  
\$794 — —  
MUST USE WITH SEPARATE STOP/VOLUME CONTROL



**2-260** 3/4" Valve trim extension kit  
Extends 1-3/8". Please specify finish. \$190 \$259 \$311



**3-649** Diverter/Flow Control Trim  
Use with stop or diverter valves, see page 355. \$241 \$338 \$421



**3-648** Diverter/Flow Control Trim  
Use with stop or diverter valves, see page 355. \$241 \$338 \$421



**1-606U** 1/2" inlet/outlet universal stop valve.  
(clockwise off, for cross or lever handle) \$195 — —

**1-607U** 3/4" inlet/outlet universal stop valve.  
(clockwise off, for cross or lever handle) \$265 — —



**1-617** 1/2" In-wall 2 & 3 way diverter valve  
1 inlet, 3 outlets.\*\* \$279 — —



1/2" in-wall diverter valves\* with:

**1-701** 3 function with off. 1 inlet, 3 outlets.\*\* \$334 — —  
**1-702** 5 function with share and off. 1 inlet, 3 outlets. \$334 — —  
**1-703** 3 function with pause. 1 inlet, 3 outlets.\*\* \$334 — —

\*SEE PAGES 312-315  
FOR HOW TO USE  
THESE DIVERTERS.

GRIFFEY - 3270, 3280

\*\*Cal Green compliant



\*SEE PAGES 312-315 FOR HOW TO USE THESE DIVERTERS.

1/2" in-wall diverter valves\* with:

<b>1-704</b>	2 function with off. 1 inlet, 2 outlets.**	\$334	—	—
<b>1-705</b>	3 function with share and off. 1 inlet, 2 outlets.	\$334	—	—
<b>1-706</b>	2 function with pause. 1 inlet, 2 outlets.**	\$334	—	—
<b>1-707</b>	3 function with share (no off). 1 inlet, 2 outlets.	\$334	—	—



<b>3270-1230</b>	18" Towel Bar	\$298	\$357	\$447
<b>3270-1250</b>	24" Towel Bar	\$331	\$400	\$499



<b>3270-1410</b>	Towel Ring	\$227	\$273	\$340
------------------	------------	-------	-------	-------



<b>3270-1650</b>	Single Robe Hook	\$185	\$250	\$313
------------------	------------------	-------	-------	-------



<b>3270-1660</b>	Double Robe Hook	\$210	\$276	\$337
------------------	------------------	-------	-------	-------



<b>3270-1510</b>	Hanging Toilet Tissue Holder	\$225	\$271	\$305
------------------	------------------------------	-------	-------	-------



<b>3270-1530</b>	Double Post Toilet Tissue Holder	\$309	\$374	\$436
------------------	----------------------------------	-------	-------	-------



**HOW TO ORDER:** **STEP 1:** Select Decorative Rings and Mounting Kit  
**STEP 2:** Select Grab Bar Tube



**STEP 1:** 990-2400 Decorative Rings and Mounting Kit \$160 \$218 \$274

**STEP 2:**

5080	12" Grab Bar Tube	\$140	\$206	\$230
5081	16" Grab Bar Tube	\$166	\$233	\$293
5082	18" Grab Bar Tube	\$187	\$260	\$285
5083	24" Grab Bar Tube	\$224	\$301	\$347
5085	36" Grab Bar Tube	\$330	\$410	\$485



990-3942 42" Grab Bar \$599 \$781 \$944

Sold as complete unit



GRIFFEY - 3270, 3280

# ITHACA

## 2550



LAVATORY FAUCETS | TUB & SHOWER | ACCESSORIES | GRAB BARS



**2550** Widespread Lavatory Faucet  
8" centers. 1/2" valves.  
Spout c-c 6.09".

\$1,182 \$1,483 \$1,579



**9203** Single Hole Lavatory Faucet  
4.59" (11.6cm) spout height at outlet.  
6.20" (15.7cm) spout reach (c-c).  
10.63" overall height.  
Includes pop-up assembly.  
Does not work with #101 cover plate.

\$1,023 \$1,391 \$1,597



**9208** Single Hole Vessel Faucet  
7.44" (18.9cm) spout height at outlet. 6.20" (15.7cm) spout reach (c-c). 13.44" overall height.  
Drain not included. For lavatory sink drains see Brasstech # 330, 3301, 3302 or 3303. For bar sink drains, see Brasstech # 130 or 131.  
Does not work with #101 cover plate.

\$1,117 \$1,500 \$1,724



**3-2551** Wall Mount Lavatory Faucet  
Spout c-c 8.02". 8" centers.  
Drain not included, . See Brasstech #330, 3301, 3302 or 3303.  
**MUST ORDER VALVE SEPARATELY.**

\$860 \$1,162 \$1,292

**1-532U** 2-valve rough with 1/2" NPT inlets & outlet. \$358 — —



**3-2552BP** BP Tub & Shower Set  
**MUST ORDER VALVE SEPARATELY**

\$1,530 \$2,066 \$2,297



**1-685** Newport Brass BP Valve with diverter, 4 port with service stops, universal 1/2" NPT & direct sweat connections.

\$384 — —











**5-2552BP** BP Tub & Shower Trim.  
Less tub spout, showerhead, arm and flange.  
**MUST ORDER VALVE SEPARATELY.**

\$797 \$1,037 \$1,197

**1-685** Newport Brass BP Valve with diverter, 4 port with service stops, universal 1/2" NPT & direct sweat connections.

\$384 — —

**See Shower & Drain Sections to complete shower.**

	<b>3-2554BP</b>	BP Shower Set MUST ORDER VALVE SEPARATELY.	\$1,162	\$1,571	\$1,743
	<b>1-684</b>	Newport Brass BP Valve, 3 port with service stops, universal 1/2" NPT & direct sweat connections.	\$278	—	—
	<b>4-2554BP</b>	BP Shower Trim. Less Showerhead, arm and flange. MUST ORDER VALVE SEPARATELY.	\$707	\$920	\$1,062
	<b>1-684</b>	Newport Brass BP Valve, 3 port with service stops, universal 1/2" NPT & direct sweat connections.  <b>See Shower &amp; Drain Sections to complete shower.</b>	\$278	—	—
	<b>3-427</b>	Tub Spout 3/4" NPT inlet fitting. 6.90" spout overall length.	\$303	\$412	\$470
	<b>3-2555</b>	Wall Mount Tub Faucet Spout c-c 6.06". MUST ORDER VALVES SEPARATELY.	\$860	\$1,162	\$1,292
	<b>1-500U</b>	2-valve rough with 1/2" NPT inlets & outlet.	\$358	—	—
	<b>3-2556</b>	Roman Tub Faucet Spout c-c 9.55". MUST ORDER VALVES SEPARATELY.	\$1,568	\$2,114	\$2,350
	<b>1-636</b>	3/4" valve for above. Quick connect included.	\$438	—	—
	<b>3-2557</b>	Roman Tub Faucet with Handshower Spout c-c 9.55". MUST ORDER VALVES SEPARATELY.	\$2,533	\$3,419	\$3,797
	<b>1-570</b>	3/4" valve for above. Includes hose and quick connect.	\$883	—	—
	<b>2559</b>	Bidet Set 1/2" valves. Includes bottom spray with vacuum breaker, 4 hole mount bidet.	\$1,434	\$1,936	\$2,153
	<b>280L</b>	Traditional 36" Slide Bar Handshower Kit All Brass. Includes: No. 281-1 Traditional Multifunctional Hand Shower No. 284 Braided Hose No. 285-3 Supply Elbow No. 294-1 36" Slide Bar with Adjustable Bracket	\$1,314	\$1,640	\$2,129

ITHACA - 2550



**280N** Traditional Hand Shower Set  
 Includes:  
 No. 281-1 Traditional Multifunction Hand Shower  
 No. 284 Braided Hose  
 No. 285-3 Supply Elbow  
 No. 297 Wall Coordinating Round Bracket

\$856 \$1,157 \$1,327



**3-803TR** 1/2" Thermostatic Trim Plate with Handles  
 Integrated diverter handle with independent  
 temperature control.  
 MUST ORDER VALVE SEPARATELY.

\$587 \$789 \$905



1-741

**1-741** 1/2" Thermostatic Rough-in Valve 1-Port \$524 — —  
**1-742** 1/2" Thermostatic Rough-in Valve 2-Port\*\* \$627 — —  
**1-743** 1/2" Thermostatic Rough-in Valve 3-Port - Shared \$686 — —  
**1-744** 1/2" Thermostatic Rough-in Valve 3-Port\*\* \$686 — —  
**1-745** 1/2" Thermostatic Rough-in Valve 2-Port - Shared \$627 — —  
 See page 348 for more details.



**20-146** 1/2" Valve Trim Extension Kit  
 Extends 1-3/8". Please specify finish.

\$273 \$368 \$423



**3-2554TR** 3/4" Thermostatic Trim Plate with Handle  
 MUST ORDER VALVE SEPARATELY.

\$719 \$967 \$1,078



**1-540** 3/4" Thermostatic Rough-in Valve  
 Flow rate of 18 gallons per minute at 60 PSI.  
 Factory calibrated comfort setting at 100-deg F,  
 built-in check valves with service stops.  
 IAPMO Listed. Meets ASSE Standard 1016.  
 MUST USE WITH SEPARATE STOP/VOLUME CONTROL

\$794 — —



**2-260** 3/4" Valve trim extension kit  
 Extends 1-3/8". Please specify finish.

\$190 \$259 \$311



**3-593** Diverter/Flow Control Trim  
 Use with stop or diverter valves, see page 355.

\$230 \$312 \$381



<b>1-606U</b>	1/2" inlet/outlet universal stop valve. (clockwise off, for cross or lever handle)	\$195	—	—
<b>1-607U</b>	3/4" inlet/outlet universal stop valve. (clockwise off, for cross or lever handle)	\$265	—	—



<b>1-617</b>	1/2" In-wall 2 & 3 way diverter valve 1 inlet, 3 outlets.**	\$279	—	—
--------------	--	-------	---	---

1/2" in-wall diverter valves\* with:



\*SEE PAGES 312-315  
FOR HOW TO USE  
THESE DIVERTERS.

<b>1-701</b>	3 function with off. 1 inlet, 3 outlets.**	\$334	—	—
<b>1-702</b>	5 function with share and off. 1 inlet, 3 outlets.	\$334	—	—
<b>1-703</b>	3 function with pause. 1 inlet, 3 outlets.**	\$334	—	—
<b>1-704</b>	2 function with off. 1 inlet, 2 outlets.**	\$334	—	—
<b>1-705</b>	3 function with share and off. 1 inlet, 2 outlets.	\$334	—	—
<b>1-706</b>	2 function with pause. 1 inlet, 2 outlets.**	\$334	—	—
<b>1-707</b>	3 function with share (no off). 1 inlet, 2 outlets.	\$334	—	—



<b>38-02</b>	24" Towel Bar	\$284	\$342	\$452
--------------	---------------	-------	-------	-------



<b>38-09</b>	Towel Ring	\$205	\$246	\$273
--------------	------------	-------	-------	-------



<b>38-12</b>	Double Robe Hook	\$248	\$294	\$329
--------------	------------------	-------	-------	-------



**38-27** Hanging Toilet Tissue Holder \$385 \$461 \$509



**38-28** Double Post Toilet Tissue Holder \$276 \$329 \$401

**HOW TO ORDER:** **STEP 1:** Select Decorative Rings and Mounting Kit  
**STEP 2:** Select Grab Bar Tube



**STEP 1:** **920-2400** Decorative Rings and Mounting Kit \$160 \$218 \$274

**STEP 2:** **5080** 12" Grab Bar Tube \$140 \$206 \$230

**5081** 16" Grab Bar Tube \$166 \$233 \$293

**5082** 18" Grab Bar Tube \$187 \$260 \$285

**5083** 24" Grab Bar Tube \$224 \$301 \$347

**5085** 36" Grab Bar Tube \$330 \$410 \$485



**920-3942** 42" Grab Bar \$599 \$781 \$944

Sold as complete unit






Available Finishes:		PC	PN SN
<b>4502</b>	18" Towel Bar	\$258	\$308
<b>4504</b>	32" Towel Bar	\$290	\$347



Available Finishes:		PC	PN SN
<b>4522S</b>	Double Swing Towel Bar	\$353	\$422



Available Finishes:		PC	PN SN
<b>4521</b>	Towel Ring-Open	\$205	\$246




Available Finishes:		PC	PN SN
<b>4527</b>	Double Post Toilet Tissue Holder with Glass Cover	\$353	\$422




Available Finishes:		PC	PN SN
<b>4528</b>	Recessed Toilet Tissue Holder	\$422	\$508



Available Finishes:		PC	PN SN
<b>4534T-18</b>	18" Shelf	\$306	\$366
<b>4534T-24</b>	24" Shelf	\$330	\$394



Available Finishes:		PC	PN SN
<b>4540-20</b>	20" Hotel Shelf	\$643	\$772



Available Finishes:		PC	PN SN
<b>4543-20</b>	20" Hotel Shelf with Towel Bar	\$775	\$931
<b>4543-24</b>	24" Hotel Shelf with Towel Bar	\$852	\$1,024



Available Finishes:		PC	PN SN
<b>4581-1</b>	Single Light Satin Etched Glass	\$651	\$778



Available Finishes:		PC	PN SN
<b>4581</b>	Single Light, Pivoting Light Satin Etched Glass	\$681	\$819



Available Finishes:		PC	PN SN
<b>4544</b>	Pivoting Vanity Mirror on Slide Bar	\$710	\$852



Available Finishes:		PC	PN SN
<b>4542</b>	23.50" x 36.57" Overall Frameless Pivoting Mirror	\$665	\$798

# JACOBEBEAN

2460 | 2470



LAVATORY FAUCETS | TUB & SHOWER | TANK LEVER | ACCESSORIES | GRAB BAR



**2460** Widespread Lavatory Faucet  
Cross Handles. 1/2" valve included.  
Spout c-c 6.05". 8" centers. \$960 \$1,293 \$1,483



**2470** Widespread Lavatory Faucet  
Lever Handles. 1/2" valve included.  
Spout c-c 6.05". 8" centers. \$960 \$1,293 \$1,483



**2473** Single Hole Lavatory Faucet  
5.60" spout height at outlet.  
5.89" spout reach (c-c).  
8.10" overall height.  
Includes #330 lift and turn drain. \$939 \$1,267 \$1,429

**101** Cover Plate, Optional  
6" x 2.5". \$99 \$142 \$152



**3-2461** Wall Mount Lavatory Faucet  
Cross Handles. Spout c-c 8.22".  
8" centers. Drain not included. See  
Brasstech # 330, 3301, 3302 or 3303.  
MUST ORDER VALVES SEPARATELY. \$761 \$1,025 \$1,176

**1-532U** 2-valve rough with 1/2" NPT inlets & outlet. \$358 — —



**3-2471** Wall Mount Lavatory Faucet Trim  
Lever Handles. Spout c-c 8.22".  
8" centers. Drain not included. See  
Brasstech # 330, 3301, 3302 or 3303.  
MUST ORDER VALVES SEPARATELY. \$761 \$1,025 \$1,176

**1-532U** 2-valve rough with 1/2" NPT inlets & outlet. \$358 — —



















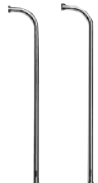
**5-2402BP** BP Tub & Shower Trim. Cross Handle.  
Less tub spout, showerhead, arm and flange.  
MUST ORDER VALVE SEPARATELY. \$547 \$712 \$821









**1-685** Newport Brass BP Valve with diverter, 4 port with  
service stops, universal 1/2" NPT & direct sweat  
connections. \$384 — —

See Shower & Drain Sections to complete shower.



	<b>3-2412BP</b> BP Tub & Shower Set. Lever Handle. MUST ORDER VALVE SEPARATELY.	\$1,214	\$1,575	\$1,818
	<b>1-685</b> Newport Brass BP Valve with diverter, 4 port with service stops, universal 1/2" NPT & direct sweat connections.	\$384	—	—
	<b>5-2412BP</b> BP Tub & Shower Trim. Lever Handle. Less tub spout, showerhead, arm and flange. MUST ORDER VALVE SEPARATELY.	\$547	\$712	\$821
	<b>1-685</b> Newport Brass BP Valve with diverter, 4 port with service stops, universal 1/2" NPT & direct sweat connections. <b>See Shower &amp; Drain Sections to complete shower.</b>	\$384	—	—
	<b>3-2404BP</b> BP Shower Set. Cross Handle. MUST ORDER VALVE SEPARATELY.	\$947	\$1,244	\$1,440
	<b>1-684</b> Newport Brass BP Valve, 3 port with service stops, universal 1/2" NPT & direct sweat connections.	\$278	—	—
	<b>4-2404BP</b> BP Shower Trim. Cross Handle. Less showerhead, arm and flange. MUST ORDER VALVE SEPARATELY.	\$455	\$594	\$683
	<b>1-684</b> Newport Brass BP Valve, 3 port with service stops, universal 1/2" NPT & direct sweat connections. <b>See Shower &amp; Drain Sections to complete shower.</b>	\$278	—	—
	<b>3-2414BP</b> BP Shower Set. Lever Handle. MUST ORDER VALVE SEPARATELY.	\$947	\$1,244	\$1,440
	<b>1-684</b> Newport Brass BP Valve, 3 port with service stops, universal 1/2" NPT & direct sweat connections.	\$278	—	—
	<b>4-2414BP</b> BP Shower Trim. Lever Handle. Less showerhead, arm and flange. MUST ORDER VALVE SEPARATELY.	\$455	\$594	\$683
	<b>1-684</b> Newport Brass BP Valve, 3 port with service stops, universal 1/2" NPT & direct sweat connections. <b>See Shower &amp; Drain Sections to complete shower.</b>	\$278	—	—
	<b>3-668</b> Tub Spout 1/2" NPT inlet fitting. 10.32" spout overall length.	\$246	\$334	\$381
	<b>3-2465</b> Wall Mount Tub Faucet. Cross Handles. MUST ORDER VALVES SEPARATELY.	\$761	\$990	\$1,142
	<b>1-500U</b> 2-valve rough with 1/2" NPT inlets & outlet.	\$358	—	—

	<b>3-2475</b>	Wall Mount Tub Faucet. Lever Handles. MUST ORDER VALVES SEPARATELY.	\$761	\$990	\$1,142
	<b>1-500U</b>	2-valve rough with 1/2" NPT inlets & outlet.	\$358	—	—
	<b>3-2476</b>	Roman Tub Faucet. Lever Handles. Spout c-c 10.96". MUST ORDER VALVES SEPARATELY.	\$1,036	\$1,350	\$1,559
	<b>1-502</b>	3/4" Valve for above. Quick connect included.	\$438	—	—
	<b>3-2477</b>	Roman Tub Faucet with Handshower Lever Handles. Spout c-c 10.96". MUST ORDER VALVES SEPARATELY.	\$1,398	\$1,817	\$2,097
	<b>1-503</b>	3/4" valve for above. Includes hose and quick connect.	\$883	—	—
	<b>2400-4272</b>	Exposed Tub and Hand Shower Set - Deck Mount. Cross Handles. 7.25" centers. Spout c-c 9.11". Includes: 281 Hand Shower	\$1,805	\$2,300	\$2,795
	<b>2400-4273</b>	Exposed Tub and Hand Shower Set - Deck Mount. Lever Handles. 7.25" centers. Spout c-c 9.11". Includes: 281 Hand Shower	\$1,805	\$2,300	\$2,795
	<b>2400-4282</b>	Exposed Tub and Hand Shower Set - Wall Mount. Cross Handles. 6" centers. Spout c-c 7". Includes: 281 Hand Shower Floor-mount kit item 3-196 or 3-226 sold separately.	\$1,723	\$2,214	\$2,683
	<b>2400-4283</b>	Exposed Tub and Hand Shower Set - Wall Mount. Lever Handles 6" centers. Spout c-c 7". Includes: 281 Hand Shower Floor-mount kit item 3-196 or 3-226 sold separately.	\$1,723	\$2,214	\$2,683
	<b>3-196</b>	Floor Mount Kit for Exposed Tub Sets Set includes: 2 each Floor Flanges 2 each 3/4" Risers - 31" high. Stabilizer kit sold separately.	\$637	\$888	\$1,066
	<b>3-226</b>	Same as above only 24" high.	\$612	\$855	\$1,029
	<b>3-192</b>	3/4" Shut-off Valves for above (1 pair hot & cold).	\$896	\$1,065	\$1,278

	<p><b>1-378</b></p>	<p>Optional Rough For Exposed Tub Filler For subfloor or concrete floor installations. 3.65" overall height. 10.38" x 5" overall base size. Universal 1/2" NPT connections. Test caps included. For use with 3-196 or 3-226 tub risers.</p>	<p>\$440</p>	<p>—</p>	<p>—</p>	
 <p>Wall Mount Plate</p>	<p><b>2-734</b></p>	<p>Stabilizer Kit for Exposed Tub Floor Riser Kits Adjustable for risers that are 6" to 9" apart. Includes 1-1/2" finished ring for connecting kit to tub overflow pipe. Finished plate for wall mounting up to 10" center of riser pipes.</p>	<p>\$314</p>	<p>\$406</p>	<p>\$435</p>	
	<p><b>2419</b></p>	<p>Bidet Set. Lever Handles. 1/2" valves. Includes bottom spray with vacuum breaker, 4 hole mount bidet.</p>	<p>\$1,495</p>	<p>\$2,014</p>	<p>\$2,311</p>	
	<p><b>3-2403TR</b></p>	<p>1/2" Thermostatic Trim Plate with Handles Integrated diverter handle with independent temperature control.  MUST ORDER VALVE SEPARATELY.</p>	<p>\$628</p>	<p>\$834</p>	<p>\$960</p>	
	<p><b>3-2413TR</b></p>	<p>1/2" Thermostatic Trim Plate with Handles Integrated diverter handle with independent temperature control.  MUST ORDER VALVE SEPARATELY.</p>	<p>\$628</p>	<p>\$834</p>	<p>\$960</p>	
 <p><b>1-741</b></p>	<p><b>1-741</b></p>	<p>1/2" Thermostatic Rough-in Valve 1-Port</p>	<p>\$524</p>	<p>—</p>	<p>—</p>	
	<p><b>1-742</b></p>	<p>1/2" Thermostatic Rough-in Valve 2-Port**</p>	<p>\$627</p>	<p>—</p>	<p>—</p>	
	<p><b>1-743</b></p>	<p>1/2" Thermostatic Rough-in Valve 3-Port - Shared</p>	<p>\$686</p>	<p>—</p>	<p>—</p>	
	<p><b>1-744</b></p>	<p>1/2" Thermostatic Rough-in Valve 3-Port**</p>	<p>\$686</p>	<p>—</p>	<p>—</p>	
	<p><b>1-745</b></p>	<p>1/2" Thermostatic Rough-in Valve 2-Port - Shared</p>	<p>\$627</p>	<p>—</p>	<p>—</p>	
	<p>See page 348 for more details.</p>					
	<p><b>20-146</b></p>	<p>1/2" Valve Trim Extension Kit Extends 1-3/8". Please specify finish.</p>	<p>\$273</p>	<p>\$368</p>	<p>\$423</p>	
	<p><b>3-2404TR</b></p>	<p>3/4" Thermostatic Trim Plate with Handle MUST ORDER VALVE SEPARATELY.</p>	<p>\$702</p>	<p>\$912</p>	<p>\$1,055</p>	

JACOBEAN - 2460, 2470

\*\*Cal Green compliant



**3-2414TR** 3/4" Thermostatic Trim Plate with Handle  
MUST ORDER VALVE SEPARATELY. \$702 \$912 \$1,055



**1-540** 3/4" Thermostatic Rough-in Valve  
Flow rate of 18 gallons per minute at 60 PSI.  
Factory calibrated comfort setting at 100-deg F,  
built-in check valves with service stops.  
IAPMO Listed. Meets ASSE Standard 1016.  
\$794 — —  
MUST USE WITH SEPARATE STOP/VOLUME CONTROL



**2-260** 3/4" Valve trim extension kit  
Extends 1-3/8". Please specify finish. \$190 \$259 \$311



**3-374** Diverter/Flow Control Trim  
Use with stop or diverter valves, see page 355. \$237 \$311 \$358



**3-373** Diverter/Flow Control Trim  
Use with stop or diverter valves, see page 355. \$237 \$311 \$358



**1-606U** 1/2" inlet/outlet universal stop valve.  
(clockwise off, for cross or lever handle) \$195 — —

**1-607U** 3/4" inlet/outlet universal stop valve.  
(clockwise off, for cross or lever handle) \$265 — —



**1-617** 1/2" In-wall 2 & 3 way diverter valve  
1 inlet, 3 outlets.\*\* \$279 — —



1/2" in-wall diverter valves\* with:

**1-701** 3 function with off. 1 inlet, 3 outlets.\*\* \$334 — —  
**1-702** 5 function with share and off. 1 inlet, 3 outlets. \$334 — —  
**1-703** 3 function with pause. 1 inlet, 3 outlets.\*\* \$334 — —

\*SEE PAGES 312-315  
FOR HOW TO USE  
THESE DIVERTERS.

\*\*Cal Green compliant



\*SEE PAGES 312-315 FOR HOW TO USE THESE DIVERTERS.

1/2" in-wall diverter valves\* with:

<b>1-704</b>	2 function with off. 1 inlet, 2 outlets.**	\$334	—	—
<b>1-705</b>	3 function with share and off. 1 inlet, 2 outlets.	\$334	—	—
<b>1-706</b>	2 function with pause. 1 inlet, 2 outlets.**	\$334	—	—
<b>1-707</b>	3 function with share (no off). 1 inlet, 2 outlets.	\$334	—	—



<b>2-645</b>	Tank Lever for Aylesbury, Jacobean and Sutton Series	\$147	\$190	\$223
<b>6-505</b>	Tank Lever Mechanism	\$115	\$139	\$155



<b>34-01</b>	18" Towel Bar	\$285	\$373	\$413
<b>34-02</b>	24" Towel Bar	\$304	\$377	\$419



<b>34-09</b>	Towel Ring	\$208	\$268	\$304
--------------	------------	-------	-------	-------



<b>34-12</b>	Single Robe Hook	\$155	\$202	\$236
--------------	------------------	-------	-------	-------



<b>34-13</b>	Double Robe Hook	\$183	\$236	\$268
--------------	------------------	-------	-------	-------



<b>34-27</b>	Open Toilet Tissue Holder	\$187	\$233	\$269
--------------	---------------------------	-------	-------	-------



<b>34-28</b>	Double Post Toilet Tissue Holder	\$268	\$340	\$391
--------------	----------------------------------	-------	-------	-------

JACOBEAN - 2460, 2470

**HOW TO ORDER:** **STEP 1:** Select Decorative Rings and Mounting Kit  
**STEP 2:** Select Grab Bar Tube



**STEP 1:** 2400-2400 Decorative Rings and Mounting Kit \$259 \$383 \$429

**STEP 2:**

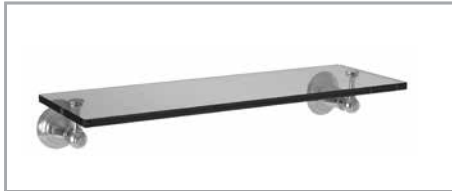
5080	12" Grab Bar Tube	\$140	\$206	\$230
5081	16" Grab Bar Tube	\$166	\$233	\$293
5082	18" Grab Bar Tube	\$187	\$260	\$285
5083	24" Grab Bar Tube	\$224	\$301	\$347
5085	36" Grab Bar Tube	\$330	\$410	\$485



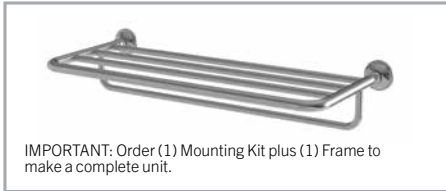
2400-3942 42" Grab Bar \$691 \$933 \$1,074

Sold as complete unit





Available Finishes:		PC	PN SN
<b>5434T-18</b>	18" Shelf	\$306	\$368



IMPORTANT: Order (1) Mounting Kit plus (1) Frame to make a complete unit.

Available Finishes:		PC	PN SN
<b>544B</b>	Hotel Shelf Mounting Kit	\$137	\$164
<b>XX43-20</b>	20" Hotel Shelf Frame with Towel Bar	\$306	\$366
<b>XX43-24</b>	24" Hotel Shelf Frame with Towel Bar	\$326	\$387



IMPORTANT: Order (1) Mounting Kit plus (1) Frame to make a complete unit.

Available Finishes:		PC	PN SN
<b>544B</b>	Hotel Shelf Mounting Kit	\$137	\$164
<b>XX43S-20</b>	20" Hotel Shelf Frame with Towel Bar, Squared Corners	\$384	\$463
<b>XX43S-24</b>	24" Hotel Shelf Frame with Towel Bar, Squared Corners	\$415	\$497



Available Finishes:		PC	PN SN
<b>5442</b>	24.53" x 36.53" Overall Frameless Pivoting Mirror	\$663	\$746

# JOFFREY

## 2570



LAVATORY FAUCETS | TUB & SHOWER | ACCESSORIES | GRAB BARS



**2570** Widespread Lavatory Faucet  
1/2" valves. Spout c-c 6.05".  
8" centers. \$1,185 \$1,600 \$1,829



**5-2572BP** BP Tub & Shower Trim  
Less tub spout, showerhead, arm and flange.  
MUST ORDER VALVE SEPARATELY. \$774 \$1,008 \$1,161

**1-685** Newport Brass BP Valve with diverter, 4 port with  
service stops, universal 1/2" NPT & direct sweat  
connections. \$384 — —  
**See Shower & Drain Sections to complete shower.**



**3-2574BP** BP Shower Set  
MUST ORDER VALVE SEPARATELY. \$1,209 \$1,634 \$1,877

**1-684** Newport Brass BP Valve, 3 port with service stops,  
universal 1/2" NPT & direct sweat connections. \$278 — —



**4-2574BP** BP Shower Trim  
Less showerhead, arm and flange.  
MUST ORDER VALVE SEPARATELY. \$686 \$894 \$1,031

**1-684** Newport Brass BP Valve, 3 port with service stops,  
universal 1/2" NPT & direct sweat connections. \$278 — —  
**See Shower & Drain Sections to complete shower.**











**20-258** Tub Spout  
3/4" NPT inlet fitting.  
7.35" spout overall length. \$316 \$442 \$527



**3-2575** Wall Mount Tub Faucet  
MUST ORDER VALVES SEPARATELY. \$895 \$1,208 \$1,387

**1-500U** 2-valve rough with 1/2" NPT inlets & outlet. \$358 — —



	<b>3-2576</b>	Roman Tub Faucet Spout c-c 9.29". MUST ORDER VALVES SEPARATELY.	\$1,267	\$1,647	\$1,895
	<b>1-665</b>	3/4" valve for above. Includes quick connect.	\$438	—	—
	<b>3-2577</b>	Roman Tub Faucet with Handshower. Spout c-c 9.29". MUST ORDER VALVES SEPARATELY.	\$1,880	\$2,441	\$2,806
	<b>1-666</b>	3/4" valve for above. Includes hose and quick connect.	\$883	—	—
	<b>2579</b>	Bidet Set 1/2" valves. Includes bottom spray with vacuum breaker, 4 hole mount bidet.	\$1,450	\$1,928	\$2,214
	<b>3-2573TS</b>	1/2" Thermostatic Trim Plate with Handles Integrated diverter handle with independent temperature control.  MUST ORDER VALVE SEPARATELY.	\$713	\$927	\$1,066
	<b>1-741</b>	1/2" Thermostatic Rough-in Valve 1-Port	\$524	—	—
	<b>1-742</b>	1/2" Thermostatic Rough-in Valve 2-Port**	\$627	—	—
	<b>1-743</b>	1/2" Thermostatic Rough-in Valve 3-Port - Shared	\$686	—	—
	<b>1-744</b>	1/2" Thermostatic Rough-in Valve 3-Port**	\$686	—	—
	<b>1-745</b>	1/2" Thermostatic Rough-in Valve 2-Port - Shared	\$627	—	—
	<b>1-741</b>	See page 348 for more details.			
	<b>20-146</b>	1/2" Valve Trim Extension Kit Extend 1-3/8". Please specify finish.	\$273	\$368	\$423
	<b>3-2574TS</b>	3/4" Thermostatic Trim Plate with Handle  MUST ORDER VALVE SEPARATELY.	\$753	\$980	\$1,126
	<b>1-540</b>	3/4" Thermostatic Rough-in Valve Flow rate of 18 gallons per minute at 60 PSI. Factory calibrated comfort setting at 100-deg F, built-in check valves with service stops. IAPMO Listed. Meets ASSE Standard 1016.  MUST USE WITH SEPARATE STOP/VOLUME CONTROL	\$794	—	—



**2-260** 3/4" Valve trim extension kit  
Extends 1-3/8". Please specify finish.

\$190 \$259 \$311



**3-594** Diverter/Flow Control Trim  
Use with stop or diverter valves, see page 355.

\$228 \$308 \$355



**1-606U** 1/2" inlet/outlet universal stop valve.  
(clockwise off, for cross or lever handle)

**1-607U** 3/4" inlet/outlet universal stop valve.  
(clockwise off, for cross or lever handle)

\$195 — —

\$265 — —



**1-617** 1/2" In-wall 2 & 3 way diverter valve  
1 inlet, 3 outlets.\*\*

\$279 — —

1/2" in-wall diverter valves\* with:



\*SEE PAGES 312-315  
FOR HOW TO USE  
THESE DIVERTERS.

**1-701** 3 function with off. 1 inlet, 3 outlets.\*\*

**1-702** 5 function with share and off. 1 inlet, 3 outlets.

**1-703** 3 function with pause. 1 inlet, 3 outlets.\*\*

**1-704** 2 function with off. 1 inlet, 2 outlets.\*\*

**1-705** 3 function with share and off. 1 inlet, 2 outlets.

**1-706** 2 function with pause. 1 inlet, 2 outlets.\*\*

**1-707** 3 function with share (no off). 1 inlet, 2 outlets.

\$334 — —

\$334 — —

\$334 — —

\$334 — —

\$334 — —

\$334 — —

\$334 — —






**41-02** 24" Towel Bar

\$279 \$335 \$439





**41-09** Towel Ring


\$231 \$279 \$367

	<b>41-12</b>	Single Robe Hook	\$124	\$152	\$192
	<b>41-27</b>	Open Toilet Tissue Holder	\$217	\$260	\$305
	<b>41-28</b>	Double Post Toilet Tissue Holder	\$262	\$316	\$369

**HOW TO ORDER:** **STEP 1:** Select Decorative Rings and Mounting Kit  
**STEP 2:** Select Grab Bar Tube

	<b>STEP 1:</b>	<b>2570-2400</b> Decorative Rings and Mounting Kit	\$220	\$331	\$381
	<b>STEP 2:</b>	<b>5080SQ</b> 12" Grab Bar Tube	\$181	\$215	\$250
		<b>5081SQ</b> 16" Grab Bar Tube	\$221	\$297	\$350
		<b>5082SQ</b> 18" Grab Bar Tube	\$244	\$299	\$365
		<b>5083SQ</b> 24" Grab Bar Tube	\$283	\$340	\$402
		<b>5085SQ</b> 36" Grab Bar Tube	\$369	\$462	\$533



	<b>2570-3942</b>	42" Grab Bar	\$691	\$933	\$1,074
---	------------------	--------------	-------	-------	---------

Sold as complete unit



JOFFREY - 2570



Available Finishes:		PC	PN SN
<b>4902</b>	18" Towel Bar	\$247	\$296



Available Finishes:		PC	PN SN
<b>4917</b>	Valet Hook	\$263	\$290



Available Finishes:		PC	PN SN
<b>4934T-24</b>	24" Shelf	\$296	\$356



Available Finishes:		NO FINISH
<b>4641N</b>	16" x 34" Overall Frameless Mirror	\$412

# KEATON

## 2490



LAVATORY FAUCETS | TUB & SHOWER | ACCESSORIES | GRAB BARS



<b>2490</b>	Widespread Lavatory Faucet 1/2" valves. 8" centers. Spout c-c 5.25".	\$1,003	\$1,338	\$1,551
-------------	--	---------	---------	---------



<b>2493</b>	Single Hole Lavatory Faucet 5.65" spout height at outlet. 5.58" spout reach (c-c). 10.48" overall height. Includes pop-up assembly.	\$894	\$1,205	\$1,383
-------------	---	-------	---------	---------

<b>101</b>	Cover Plate, Optional 6" x 2.5".	\$99	\$142	\$152
------------	-------------------------------------	------	-------	-------



<b>3-2491</b>	Wall Mount Lavatory Faucet Spout c-c 7.25. 8" centers. Drain not included. See Brasstech # 330, 3301, 3302 or 3303. <b>MUST ORDER VALVE SEPARATELY.</b>	\$770	\$1,036	\$1,190
---------------	--	-------	---------	---------

<b>1-532U</b>	2-valve rough with 1/2" NPT inlets & outlet.	\$358	—	—
---------------	--	-------	---	---



<b>5-2492BP</b>	BP Tub & Shower Trim Less tub spout, showerhead, arm and flange. <b>MUST ORDER VALVE SEPARATELY.</b>	\$593	\$770	\$887
-----------------	--	-------	-------	-------

<b>1-685</b>	Newport Brass BP Valve with diverter, 4 port with service stops, universal 1/2" NPT & direct sweat connections.	\$384	—	—
--------------	---	-------	---	---

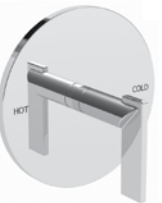
**See Shower & Drain Sections to complete shower.**



<b>3-2494BP</b>	BP Shower Set <b>MUST ORDER VALVE SEPARATELY.</b>	\$961	\$1,263	\$1,485
-----------------	--	-------	---------	---------



<b>1-684</b>	Newport Brass BP Valve, 3 port with service stops, universal 1/2" NPT & direct sweat connections.	\$278	—	—
--------------	---	-------	---	---



<b>4-2494BP</b>	BP Shower Trim Less showerhead, arm and flange. <b>MUST ORDER VALVE SEPARATELY.</b>	\$500	\$675	\$775
-----------------	---	-------	-------	-------

<b>1-684</b>	Newport Brass BP Valve, 3 port with service stops, universal 1/2" NPT & direct sweat connections.	\$278	—	—
--------------	---	-------	---	---

**See Shower & Drain Sections to complete shower.**

KEATON - 2490

	<b>3-407</b>	Tub Spout 1/2" NPT inlet fitting. 9.15" spout overall length.	\$246	\$334	\$381
	<b>3-2495</b>	Wall Mount Tub Faucet Spout c-c 8.25". MUST ORDER VALVES SEPARATELY.	\$846	\$1,140	\$1,309
	<b>1-500U</b>	2-valve rough with 1/2" NPT inlets & outlet.	\$358	—	—
	<b>3-2496</b>	Roman Tub Faucet Spout c-c 7.15". MUST ORDER VALVES SEPARATELY.	\$1,077	\$1,452	\$1,671
	<b>1-697</b>	3/4" valve for above. Quick connect included.	\$438	—	—
	<b>3-2497</b>	Roman Tub Faucet with Handshower Spout c-c 7.15". MUST ORDER VALVES SEPARATELY.	\$1,423	\$1,922	\$2,206
	<b>1-698</b>	3/4" valve for above. Includes hose & quick connect.	\$883	—	—
	<b>2489</b>	Bidet Set 1/2" valves. Includes bottom spray with vacuum breaker. 4 hole mount bidet.	\$1,434	\$1,936	\$2,224
	<b>280R</b>	Contemporary Hand Shower Set Includes: No. 283-101 Single Function Handshower Round No. 284 Braided Hose No. 3-672 Supply Elbow & Holder	\$588	\$767	\$917
	<b>3-2023TR</b>	1/2" Thermostatic Trim Plate with Handles Integrated diverter handle with independent temperature control. MUST ORDER VALVE SEPARATELY.	\$628	\$834	\$960
	<b>1-741</b>	1/2" Thermostatic Rough-in Valve 1-Port	\$524	—	—
	<b>1-742</b>	1/2" Thermostatic Rough-in Valve 2-Port**	\$627	—	—
	<b>1-743</b>	1/2" Thermostatic Rough-in Valve 3-Port - Shared	\$686	—	—
	<b>1-744</b>	1/2" Thermostatic Rough-in Valve 3-Port**	\$686	—	—
	<b>1-745</b>	1/2" Thermostatic Rough-in Valve 2-Port - Shared	\$627	—	—
<b>1-741</b>		See page 348 for more details.			

\*\*Cal Green compliant



**20-146** 1/2" Valve Trim Extension Kit  
Extends 1-3/8". Please specify finish.

\$273 \$368 \$423



**3-2484TR** 3/4" Thermostatic Trim Plate with Handle  
MUST ORDER VALVES SEPARATELY.

\$769 \$1,035 \$1,188



**1-540** 3/4" Thermostatic Rough-in Valve  
Flow rate of 18 gallons per minute at 60 PSI.  
Factory calibrated comfort setting at 100-deg F,  
built-in check valves with service stops.  
IAPMO Listed. Meets ASSE Standard 1016.  
MUST USE WITH SEPARATE STOP/VOLUME CONTROL

\$794 — —



**2-260** 3/4" Valve trim extension kit  
Extends 1-3/8" . Please specify finish.

\$190 \$259 \$311



**3-608** 3/4" Diverter/Flow Control Trim  
Use with stop or diverter valves, see page 355.

\$228 \$308 \$356



**1-606U** 1/2" inlet/outlet universal stop valve.  
(clockwise off, for cross or lever handle)

\$195 — —

**1-607U** 3/4" inlet/outlet universal stop valve.  
(clockwise off, for cross or lever handle)

\$265 — —



**1-617** 1/2" In-wall 2 & 3 way diverter valve  
1 inlet, 3 outlets.\*\*

\$279 — —



1/2" in-wall diverter valves\* with:

**1-701** 3 function with off. 1 inlet, 3 outlets.\*\*

\$334 — —

**1-702** 5 function with share and off. 1 inlet, 3 outlets.

\$334 — —

**1-703** 3 function with pause. 1 inlet, 3 outlets.\*\*

\$334 — —

\*SEE PAGES 312-315  
FOR HOW TO USE  
THESE DIVERTERS.

KEATON - 2490



\*SEE PAGES 312-315 FOR HOW TO USE THESE DIVERTERS.

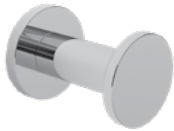
		<u>1/2" in-wall diverter valves* with:</u>		
<b>1-704</b>	2 function with off. 1 inlet, 2 outlets.**	\$334	—	—
<b>1-705</b>	3 function with share and off. 1 inlet, 2 outlets.	\$334	—	—
<b>1-706</b>	2 function with pause. 1 inlet, 2 outlets.**	\$334	—	—
<b>1-707</b>	3 function with share (no off). 1 inlet, 2 outlets.	\$334	—	—



<b>36-01</b>	18" Towel Bar	\$221	\$265	\$314
<b>36-02</b>	24" Towel Bar	\$261	\$312	\$373



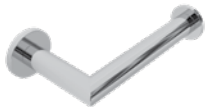
<b>36-09</b>	Towel Ring	\$308	\$369	\$440
--------------	------------	-------	-------	-------



<b>36-12</b>	Single Robe Hook	\$84	\$104	\$129
--------------	------------------	------	-------	-------



<b>36-13</b>	Double Robe Hook	\$156	\$181	\$223
--------------	------------------	-------	-------	-------



<b>36-27</b>	Open Toilet Tissue Holder	\$214	\$252	\$300
--------------	---------------------------	-------	-------	-------



<b>36-28</b>	Double Post Toilet Tissue Holder Pivoting Arm	\$248	\$311	\$353
--------------	---	-------	-------	-------



**HOW TO ORDER:** **STEP 1:** Select Decorative Rings and Mounting Kit  
**STEP 2:** Select Grab Bar Tube



**STEP 1:** 2480-2400 Decorative Rings and Mounting Kit \$206 \$230 \$282



**STEP 2:**

5080SQ	12" Grab Bar Tube	\$181	\$215	\$250
5081SQ	16" Grab Bar Tube	\$221	\$297	\$350
5082SQ	18" Grab Bar Tube	\$244	\$299	\$365
5083SQ	24" Grab Bar Tube	\$283	\$340	\$402
5085SQ	36" Grab Bar Tube	\$369	\$462	\$533



Sold as complete unit


2480-3942 42" Grab Bar \$691 \$933 \$1,074



KEATON - 2490



Available Finishes:		PC	MB PN, SN
<b>4622-24</b>	24" Double Towel Bar	\$389	\$469




Available Finishes:		PC	MB PN, SN
<b>4607</b>	Spare Toilet Tissue Holder	\$199	\$237



Available Finishes:		PC	MB PN, SN
<b>4609</b>	Double Open Toilet Tissue Holder	\$223	\$281



Available Finishes:		PC	MB PN, SN
<b>4627</b>	Double Toilet Tissue Holder with Cover	\$327	\$409




Available Finishes:		PC	MB PN, SN
<b>4610T</b>	Triple Pivoting Robe Hook	\$221	\$254




Available Finishes:		PC	MB PN, SN
<b>4619T-12</b>	12" Shelf with Towel Bar	\$408	\$511



Available Finishes:		PC	MB PN, SN
<b>4619T-24</b>	24" Shelf with Towel Bar	\$439	\$527




Available Finishes:		PC	MB PN, SN
<b>4634T</b>	24" Shelf	\$300	\$363




IMPORTANT: Order (1) Mounting Kit plus (1) Frame to make a complete unit.

Available Finishes:		PC	MB PN, SN
<b>464B</b>	Hotel Shelf Mounting Kit	\$128	\$155
<b>XX43-20</b>	20" Hotel Shelf Frame with Towel Bar	\$306	\$366
<b>XX43-24</b>	24" Hotel Shelf Frame with Towel Bar	\$326	\$387




IMPORTANT: Order (1) Mounting Kit plus (1) Frame to make a complete unit.


Available Finishes:		PC	MB PN, SN
<b>464B</b>	Hotel Shelf Mounting Kit	\$128	\$155
<b>XX43S-20</b>	20" Hotel Shelf Frame w/Towel Bar, Squared Corners	\$384	\$463
<b>XX43S-24</b>	24" Hotel Shelf Frame w/Towel Bar, Squared Corners	\$415	\$497



Available Finishes:		PC	MB PN, SN
<b>4681</b>	Single Light 3.6" $\phi$ Rosette	\$466	\$561
<b>4681L</b>	Single Light 4.6" $\phi$ Rosette	\$483	\$580



Available Finishes:		PC	MB PN, SN
<b>4682</b>	Double Light, 3.6" $\phi$ Rosette	\$532	\$638
<b>4682L</b>	Double Light, 4.6" $\phi$ Rosette	\$549	\$662



Available Finishes:		NO FINISH
<b>4641N</b>	16"x34" Overall Frameless Mirror	\$412

# KIRSI

## 3120 | 3130



LAVATORY FAUCETS | TUB & SHOWER | ACCESSORIES | GRAB BARS



**3120**

Widespread Lavatory Faucet  
1/2" valves. 8" centers.  
Spout c-c 5.25".

\$1,052    \$1,421    \$1,631



**3130**

Widespread Lavatory Faucet  
1/2" valves. 8" centers.  
Spout c-c 5.25".

\$942    \$1,276    \$1,517



**2493**

Single Hole Lavatory Faucet  
5.65" spout height at outlet.  
5.58" spout reach (c-c).  
10.48" overall height.  
Includes pop-up assembly.

\$894    \$1,205    \$1,383

**101**

Cover Plate, Optional  
6" x 2.5".

\$99    \$142    \$152



**3-3121**

Wall Mount Lavatory Faucet  
Spout c-c 7.25. 8" centers.  
Drain not included. See Brasstech  
# 330, 3301, 3302 or 3303.  
MUST ORDER VALVE SEPARATELY.

\$739    \$905    \$1,038

**1-532U**

2-valve rough with 1/2" NPT inlets & outlet.

\$358    —    —



**5-3102BP**

BP Tub & Shower Trim.  
Less tub spout, showerhead, arm and flange.  
MUST ORDER VALVE SEPARATELY.

\$602    \$784    \$902

**1-685**

Newport Brass BP Valve with diverter, 4 port with  
service stops, universal 1/2" NPT & direct sweat  
connections.

\$384    —    —

See Shower & Drain Sections to complete shower.



**3-3124BP**

BP Shower Set.  
MUST ORDER VALVE SEPARATELY.

\$883    \$1,149    \$1,321



**1-684**

Newport Brass BP Valve, 3 port with service stops,  
universal 1/2" NPT & direct sweat connections.

\$278    —    —

KIRSI - 3120



<b>4-3104BP</b>	BP Shower Trim. Less showerhead, arm and flange. MUST ORDER VALVE SEPARATELY.	\$513	\$668	\$768
<b>1-684</b>	Newport Brass BP Valve, 3 port with service stops, universal 1/2" NPT & direct sweat connections. <b>See Shower &amp; Drain Sections to complete shower.</b>	\$278	—	—



<b>3-407</b>	Tub Spout 1/2" NPT inlet fitting. 9.15" spout overall length.	\$246	\$334	\$381
--------------	---	-------	-------	-------



<b>3-3125</b>	Wall Mount Tub Faucet Spout c-c 8.25". MUST ORDER VALVES SEPARATELY.	\$712	\$925	\$1,064
<b>1-500U</b>	2-valve rough with 1/2" NPT inlets & outlet.	\$358	—	—



<b>3-3126</b>	Roman Tub Faucet Spout c-c 7.15". MUST ORDER VALVES SEPARATELY.	\$1,010	\$1,315	\$1,509
<b>1-697</b>	3/4" valve for above. Includes quick connect.	\$438	—	—



<b>3-3127</b>	Roman Tub Faucet with Handshower Spout c-c 7.15". MUST ORDER VALVES SEPARATELY.	\$1,344	\$1,745	\$2,009
<b>1-698</b>	3/4" valve for above. Includes hose & quick connect.	\$883	—	—



<b>3109</b>	Bidet Set 1/2" valves. Includes bottom spray with vacuum breaker, 4 hole mount bidet.	\$1,437	\$1,867	\$2,147
-------------	---	---------	---------	---------



<b>3-3103TR</b>	1/2" Thermostatic Trim Plate with Handles Integrated diverter handle with independent temperature control.  MUST ORDER VALVE SEPARATELY.	\$649	\$868	\$996
-----------------	--	-------	-------	-------



1-741

<b>1-741</b>	1/2" Thermostatic Rough-in Valve 1-Port	\$524	—	—
<b>1-742</b>	1/2" Thermostatic Rough-in Valve 2-Port**	\$627	—	—
<b>1-743</b>	1/2" Thermostatic Rough-in Valve 3-Port - Shared	\$686	—	—
<b>1-744</b>	1/2" Thermostatic Rough-in Valve 3-Port**	\$686	—	—
<b>1-745</b>	1/2" Thermostatic Rough-in Valve 2-Port - Shared	\$627	—	—

See page 348 for more details.

\*\*Cal Green compliant



**20-146** 1/2" Valve Trim Extension Kit  
Extends 1-3/8". Please specify finish.

\$273 \$368 \$423



**3-994LTR** 3/4" Thermostatic Trim Plate with Handle  
MUST ORDER VALVES SEPARATELY.

\$480 \$624 \$719



**1-540** 3/4" Thermostatic Rough-in Valve  
Flow rate of 18 gallons per minute at 60 PSI.  
Factory calibrated comfort setting at 100-deg F,  
built-in check valves with service stops.  
IAPMO Listed. Meets ASSE Standard 1016.

\$794 — —

MUST USE WITH SEPARATE STOP/VOLUME CONTROL



**2-260** 3/4" Valve trim extension kit  
Extends 1-3/8". Please specify finish.

\$190 \$259 \$311



**3-549** Diverter/Flow Control Trim  
Use with stop or diverter valves, see page 355.

\$238 \$324 \$368



**1-606U** 1/2" inlet/outlet universal stop valve.  
(clockwise off, for cross or lever handle)

\$195 — —



**1-607U** 3/4" inlet/outlet universal stop valve.  
(clockwise off, for cross or lever handle)

\$265 — —



**1-617** 1/2" In-wall 2 & 3 way diverter valve  
1 inlet, 3 outlets.\*\*

\$279 — —



1/2" in-wall diverter valves\* with:

**1-701** 3 function with off. 1 inlet, 3 outlets.\*\*

\$334 — —

**1-702** 5 function with share and off. 1 inlet, 3 outlets.

\$334 — —

**1-703** 3 function with pause. 1 inlet, 3 outlets.\*\*

\$334 — —

\*SEE PAGES 312-315  
FOR HOW TO USE  
THESE DIVERTERS.

\*\*Cal Green compliant

KIRSI - 3120



\*SEE PAGES 312-315 FOR HOW TO USE THESE DIVERTERS.

1/2" in-wall diverter valves\* with:

<b>1-704</b>	2 function with off. 1 inlet, 2 outlets.**	\$334	—	—
<b>1-705</b>	3 function with share and off. 1 inlet, 2 outlets.	\$334	—	—
<b>1-706</b>	2 function with pause. 1 inlet, 2 outlets.**	\$334	—	—
<b>1-707</b>	3 function with share (no off). 1 inlet, 2 outlets.	\$334	—	—



<b>36-01</b>	18" Towel Bar	\$221	\$265	\$314
<b>36-02</b>	24" Towel Bar	\$261	\$312	\$373



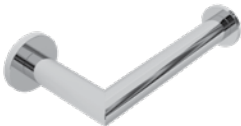
<b>36-09</b>	Towel Ring	\$308	\$369	\$440
--------------	------------	-------	-------	-------



<b>36-12</b>	Single Robe Hook	\$84	\$104	\$129
--------------	------------------	------	-------	-------



<b>36-13</b>	Double Robe Hook	\$156	\$181	\$223
--------------	------------------	-------	-------	-------








<b>36-27</b>	Open Toilet Tissue Holder	\$214	\$252	\$300
--------------	---------------------------	-------	-------	-------



<b>36-28</b>	Double Post Toilet Tissue Holder Pivoting Arm	\$248	\$311	\$353
--------------	--	-------	-------	-------

**HOW TO ORDER:** **STEP 1:** Select Decorative Rings and Mounting Kit  
**STEP 2:** Select Grab Bar Tube

	<b>STEP 1:</b>	<b>2480-2400</b> Decorative Rings and Mounting Kit	\$206	\$230	\$282
	<b>STEP 2:</b>	<b>5080SQ</b> 12" Grab Bar Tube	\$181	\$215	\$250
		<b>5081SQ</b> 16" Grab Bar Tube	\$221	\$297	\$350
		<b>5082SQ</b> 18" Grab Bar Tube	\$244	\$299	\$365
		<b>5083SQ</b> 24" Grab Bar Tube	\$283	\$340	\$402
		<b>5085SQ</b> 36" Grab Bar Tube	\$369	\$462	\$533
					

	<b>2480-3942</b> 42" Grab Bar	\$691	\$933	\$1,074
Sold as complete unit				

KIRSI - 3120



Available Finishes:		PC	MB PN, SN
<b>4622-24</b>	24" Double Towel Bar	\$389	\$469




Available Finishes:		PC	MB PN, SN
<b>4607</b>	Spare Toilet Tissue Holder	\$199	\$237



Available Finishes:		PC	MB PN, SN
<b>4609</b>	Double Open Toilet Tissue Holder	\$223	\$281



Available Finishes:		PC	MB PN, SN
<b>4627</b>	Double Toilet Tissue Holder with Cover	\$327	\$409




Available Finishes:		PC	MB PN, SN
<b>4610T</b>	Triple Pivoting Robe Hook	\$221	\$254




Available Finishes:		PC	MB PN, SN
<b>4619T-12</b>	12" Shelf with Towel Bar	\$408	\$511



Available Finishes:		PC	MB PN, SN
<b>4619T-24</b>	24" Shelf with Towel Bar	\$439	\$527




Available Finishes:		PC	MB PN, SN
<b>4634T</b>	24" Shelf	\$300	\$363




IMPORTANT: Order (1) Mounting Kit plus (1) Frame to make a complete unit.

Available Finishes:		PC	MB PN, SN
<b>464B</b>	Hotel Shelf Mounting Kit	\$128	\$155
<b>XX43-20</b>	20" Hotel Shelf Frame with Towel Bar	\$306	\$366
<b>XX43-24</b>	24" Hotel Shelf Frame with Towel Bar	\$326	\$387




IMPORTANT: Order (1) Mounting Kit plus (1) Frame to make a complete unit.


Available Finishes:		PC	MB PN, SN
<b>464B</b>	Hotel Shelf Mounting Kit	\$128	\$155
<b>XX43S-20</b>	20" Hotel Shelf Frame w/Towel Bar, Squared Corners	\$384	\$463
<b>XX43S-24</b>	24" Hotel Shelf Frame w/Towel Bar, Squared Corners	\$415	\$497



Available Finishes:		PC	MB PN, SN
<b>4681</b>	Single Light 3.6" ø Rosette	\$466	\$561
<b>4681L</b>	Single Light 4.6" ø Rosette	\$483	\$580



Available Finishes:		PC	MB PN, SN
<b>4682</b>	Double Light, 3.6" ø Rosette	\$532	\$638
<b>4682L</b>	Double Light, 4.6" ø Rosette	\$549	\$662



Available Finishes:		NO FINISH
<b>4641N</b>	16"x34" Overall Frameless Mirror	\$412



# MALVINA

3140 | 3150



LAVATORY FAUCETS | TUB & SHOWER | ACCESSORIES | GRAB BARS



**3140**

Widespread Lavatory Faucet  
Lever Handles. 1/2" valves.  
Spout c-c 5.37". 8" centers.

\$1,171    \$1,581    \$1,788



**3150**

Widespread Lavatory Faucet  
Cross Handles. 1/2" valves.  
Spout c-c 5.37". 8" centers.

\$1,171    \$1,581    \$1,788



**5-3142BP**

BP Tub & Shower Trim. Lever Handle.  
Less tub spout, showerhead, arm and flange.  
MUST ORDER VALVE SEPARATELY.

\$751    \$979    \$1,129

**1-685**

Newport Brass BP Valve with diverter, 4 port with  
service stops, universal 1/2" NPT & direct sweat  
connections.

\$384    —    —

See Shower & Drain Sections to complete shower.



**5-3152BP**

BP Tub & Shower Trim. Cross Handle.  
Less tub spout, showerhead, arm and flange.  
MUST ORDER VALVE SEPARATELY.

\$751    \$979    \$1,129

**1-685**

Newport Brass BP Valve with diverter, 4 port with  
service stops, universal 1/2" NPT & direct sweat  
connections.

\$384    —    —

See Shower & Drain Sections to complete shower.



**3-3144BP**

BP Shower Set. Lever Handle.  
MUST ORDER VALVE SEPARATELY.

\$1,160    \$1,560    \$1,802

**1-684**

Newport Brass BP Valve, 3 port with service stops,  
universal 1/2" NPT & direct sweat connections.

\$278    —    —



**4-3144BP**

BP Shower Trim. Lever Handle.  
Less tub spout, showerhead, arm and flange.  
MUST ORDER VALVE SEPARATELY.

\$667    \$867    \$1,002

**1-684**

Newport Brass BP Valve, 3 port with service stops,  
universal 1/2" NPT & direct sweat connections.

\$278    —    —

See Shower & Drain Sections to complete shower.

MALVINA - 3140, 3150



<b>4-3154BP</b>	BP Shower Trim. Cross Handle. MUST ORDER VALVE SEPARATELY.	\$667	\$867	\$1,002
<b>1-684</b>	Newport Brass BP Valve, 3 port with service stops, universal 1/2" NPT & direct sweat connections.  See Shower & Drain Sections to complete shower.	\$278	—	—



<b>3-583</b>	Tub Spout 1/2" NPT inlet fitting. 7.92" spout overall length.	\$342	\$446	\$512
--------------	---	-------	-------	-------



<b>3-3145</b>	Wall Mount Tub Faucet Lever Handles. MUST ORDER VALVES SEPARATELY.	\$889	\$1,202	\$1,381
<b>1-500U</b>	2-valve rough with 1/2" NPT inlets & outlet.	\$358	—	—



<b>3-3146</b>	Roman Tub Faucet Lever Handles. Spout c-c 9.50". MUST ORDER VALVES SEPARATELY.	\$1,327	\$1,791	\$2,061
<b>1-665</b>	3/4" valve for above. Includes hose and quick connect.	\$438	—	—



<b>3-3147</b>	Roman Tub Faucet with Handshower Lever Handles. Spout c-c 9.50". MUST ORDER VALVES SEPARATELY.	\$1,764	\$2,382	\$2,739
<b>1-666</b>	3/4" valve for above. Includes hose and quick connect.	\$883	—	—



<b>3-3143TS</b>	1/2" Thermostatic Trim Plate with Handles Integrated diverter handle with independent temperature control.  MUST ORDER VALVE SEPARATELY.	\$819	\$1,094	\$1,257
-----------------	--	-------	---------	---------



<b>3-3153TS</b>	1/2" Thermostatic Trim Plate with Handles Integrated diverter handle with independent temperature control.  MUST ORDER VALVE SEPARATELY.	\$819	\$1,094	\$1,257
-----------------	--	-------	---------	---------



1-741

<b>1-741</b>	1/2" Thermostatic Rough-in Valve 1-Port	\$524	—	—
<b>1-742</b>	1/2" Thermostatic Rough-in Valve 2-Port**	\$627	—	—
<b>1-743</b>	1/2" Thermostatic Rough-in Valve 3-Port - Shared	\$686	—	—
<b>1-744</b>	1/2" Thermostatic Rough-in Valve 3-Port**	\$686	—	—
<b>1-745</b>	1/2" Thermostatic Rough-in Valve 2-Port - Shared	\$627	—	—

See page 348 for more details.

\*\*Cal Green compliant



**20-146** 1/2" Valve Trim Extension Kit  
Extends 1-3/8". Please specify finish.

\$273 \$368 \$423



**3-3144TS** 3/4" Thermostatic Trim Plate with Handle  
MUST ORDER VALVE SEPARATELY.

\$887 \$1,154 \$1,305



**3-3154TS** 3/4" Thermostatic Trim Plate with Handle  
MUST ORDER VALVE SEPARATELY.

\$887 \$1,154 \$1,305



**1-540** 3/4" Thermostatic Rough-in Valve  
Flow rate of 18 gallons per minute at 60 PSI.  
Factory calibrated comfort setting at 100-deg F,  
built-in check valves with service stops.  
IAPMO Listed. Meets ASSE Standard 1016.  
MUST USE WITH SEPARATE STOP/VOLUME CONTROL

\$794 — —



**2-260** 3/4" Valve trim extension kit  
Extends 1-3/8". Please specify finish.

\$190 \$259 \$311



**3-580** Diverter/Flow Control Trim  
Use with stop or diverter valves, see page 355.

\$263 \$337 \$389



**3-581** Diverter/Flow Control Trim  
Use with stop or diverter valves, see page 355.

\$263 \$337 \$389



**1-606U** 1/2" inlet/outlet universal stop valve.  
(clockwise off, for cross or lever handle)

\$195 — —

**1-607U** 3/4" inlet/outlet universal stop valve.  
(clockwise off, for cross or lever handle)

\$265 — —



**1-617** 1/2" In-wall 2 & 3 way diverter valve  
1 inlet, 3 outlets.\*\*

\$279 — —

1/2" in-wall diverter valves\* with:



\*SEE PAGES 312-315  
FOR HOW TO USE  
THESE DIVERTERS.

**1-701** 3 function with off. 1 inlet, 3 outlets.\*\*  
**1-702** 5 function with share and off. 1 inlet, 3 outlets.  
**1-703** 3 function with pause. 1 inlet, 3 outlets.\*\*  
**1-704** 2 function with off. 1 inlet, 2 outlets.\*\*  
**1-705** 3 function with share and off. 1 inlet, 2 outlets.  
**1-706** 2 function with pause. 1 inlet, 2 outlets.\*\*  
**1-707** 3 function with share (no off). 1 inlet, 2 outlets.

\$334 — —  
 \$334 — —  
 \$334 — —  
 \$334 — —  
 \$334 — —  
 \$334 — —  
 \$334 — —



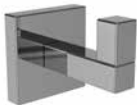
**2020-1200** 8' Towel Bar

\$152 \$183 \$228



**2020-1230** 18" Towel Bar  
**2020-1250** 24" Towel Bar

\$217 \$260 \$324  
 \$255 \$306 \$383



**2020-1650** Single Robe Hook

\$76 \$90 \$125



**2020-1570** Open Toilet Tissue Holder

\$207 \$248 \$311



**2020-1500** Double Post Toilet Tissue Holder

\$242 \$305 \$382

**HOW TO ORDER:** **STEP 1:** Select Decorative Rings and Mounting Kit  
**STEP 2:** Select Grab Bar Tube



**STEP 1:** 2040-2400 Decorative Rings and Mounting Kit \$220 \$230 \$282

**STEP 2:** 5080SQ 12" Grab Bar Tube \$181 \$215 \$250  
 5081SQ 16" Grab Bar Tube \$221 \$297 \$350  
 5082SQ 18" Grab Bar Tube \$244 \$299 \$365  
 5083SQ 24" Grab Bar Tube \$283 \$340 \$402  
 5085SQ 36" Grab Bar Tube \$369 \$462 \$533



2040-3942 42" Grab Bar \$691 \$933 \$1,074

Sold as complete unit





Available Finishes:		PC	PN	SN
<b>5227</b>	Double Post Toilet Tissue Holder with Cover	\$313	\$393	



Available Finishes:		PC	PN	SN
<b>5210T</b>	Triple Robe Hook-Pivoting	\$206	\$227	



Available Finishes:		PC	PN	SN
<b>5217</b>	Valet Hook	\$253	\$278	



Available Finishes:		PC	PN	SN
<b>5234T-24</b>	24" Shelf	\$289	\$355	



IMPORTANT: Order (1) Mounting Kit plus (1) Frame to make a complete unit.

Available Finishes:		PC	PN	SN
<b>524B</b>	Hotel Shelf Mounting Kit	\$124	\$148	
<b>XX43-20</b>	20" Hotel Shelf Frame with Towel Bar	\$306	\$366	
<b>XX43-24</b>	24" Hotel Shelf Frame with Towel Bar	\$326	\$387	



IMPORTANT: Order (1) Mounting Kit plus (1) Frame to make a complete unit.

Available Finishes:		PC	PN	SN
<b>524B</b>	Hotel Shelf Mounting Kit	\$124	\$148	
<b>XX43S-20</b>	20" Hotel Shelf Frame w/Towel Bar, Squared Corners	\$384	\$463	
<b>XX43S-24</b>	24" Hotel Shelf Frame w/Towel Bar, Squared Corners	\$415	\$497	



Available Finishes:		NO FINISH
<b>4641N</b>	16" x 34" Overall Frameless Mirror	\$412

# METRO

## 2540



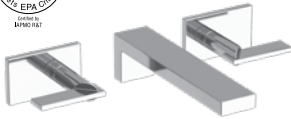
LAVATORY FAUCETS | TUB & SHOWER | ACCESSORIES | GRAB BARS



**2540**

Widespread Lavatory Faucet  
Triple-deck-plate. 8" centers.  
Spout c-c 5.47". 1/2" valves.

\$1,099    \$1,422    \$1,632



**3-2541**

Wall Mount Lavatory Faucet  
Spout c-c 8.32". 8" centers.  
Drain not included. See Brasstech  
# 330, 3301, 3302 or 3303.  
MUST ORDER VALVES SEPARATELY.

\$922    \$1,243    \$1,427

**1-532U**

2-valve rough with 1/2" NPT inlets & outlet.

\$358    —    —



**5-2542BP**

BP Tub & Shower Trim  
Less tub spout, showerhead, arm and flange.  
MUST ORDER VALVE SEPARATELY.

\$797    \$1,037    \$1,197

**1-685**

Newport Brass BP Valve with diverter, 4 port with  
service stops, universal 1/2" NPT & direct sweat  
connections.

\$384    —    —

**See Shower & Drain Sections to complete shower.**



**3-2544BP**

BP Shower Set  
MUST ORDER VALVE SEPARATELY.

\$1,244    \$1,683    \$1,934



**1-684**

Newport Brass BP Valve, 3 port with service stops,  
universal 1/2" NPT & direct sweat connections.

\$278    —    —



**4-2544BP**

BP Shower Trim  
Less showerhead, arm and flange.  
MUST ORDER VALVE SEPARATELY.

\$707    \$920    \$1,062

**1-684**

Newport Brass BP Valve, 3 port with service stops,  
universal 1/2" NPT & direct sweat connections.

\$278    —    —

**See Shower & Drain Sections to complete shower.**



**8-030**

Tub Spout  
3/4" NPT inlet fitting.  
9.44" spout overall length.

\$393    \$482    \$527

METRO - 2540

	<b>3-2545</b>	Wall Mount Tub Faucet Spout c-c 8". MUST ORDER VALVES SEPARATELY.	\$922	\$1,243	\$1,427
	<b>1-500U</b>	2-valve rough with 1/2" NPT inlets & outlet.	\$358	—	—
	<b>3-2546</b>	Roman Tub Faucet Spout c-c 8.35". Finished deck thickness should be less than or equal to 15/16". MUST ORDER VALVE SEPARATELY.	\$1,305	\$1,914	\$2,264
	<b>1-665</b>	3/4" valve for above. Quick connect included.	\$438	—	—
	<b>3-2547</b>	Roman Tub Faucet with Handshower Spout c-c 8.35". Finished deck thickness should be less than or equal to 15/16". MUST ORDER VALVE SEPARATELY.	\$1,936	\$2,923	\$3,485
	<b>1-666</b>	3/4" valve for above. Includes hose and quick connect.	\$883	—	—
	<b>2489</b>	Bidet Set 1/2" valves. Includes bottom spray with vacuum breaker. 4 hole mount bidet.	\$1,434	\$1,936	\$2,224
	<b>280P</b>	Contemporary Hand Shower Set Includes: No. 283-102 Single Function Handshower Square No. 284 Braided Hose No. 3-671 Supply Elbow & Holder	\$588	\$767	\$917
	<b>3-2023TS</b>	1/2" Thermostatic Trim Plate with Handles Integrated diverter handle with independent temperature control.  MUST ORDER VALVE SEPARATELY.	\$649	\$868	\$996
	<b>1-741</b>	1/2" Thermostatic Rough-in Valve 1-Port	\$524	—	—
	<b>1-742</b>	1/2" Thermostatic Rough-in Valve 2-Port**	\$627	—	—
	<b>1-743</b>	1/2" Thermostatic Rough-in Valve 3-Port - Shared	\$686	—	—
	<b>1-744</b>	1/2" Thermostatic Rough-in Valve 3-Port**	\$686	—	—
	<b>1-745</b>	1/2" Thermostatic Rough-in Valve 2-Port - Shared	\$627	—	—
<b>1-741</b>		See page 348 for more details.			
	<b>20-146</b>	1/2" Valve Trim Extension Kit Extends 1-3/8". Please specify finish.	\$273	\$368	\$423

\*\*Cal Green compliant





**3-2544TS** 3/4" Thermostatic Trim Plate with Handle  
MUST ORDER VALVE SEPARATELY. \$719 \$967 \$1,078



**1-540** 3/4" Thermostatic Rough-in Valve  
Flow rate of 18 gallons per minute at 60 PSI.  
Factory calibrated comfort setting at 100-deg F,  
built-in check valves with service stops.  
IAPMO Listed. Meets ASSE Standard 1016.  
MUST USE WITH SEPARATE STOP/VOLUME CONTROL \$794 — —



**2-260** 3/4" Valve trim extension kit  
Extends 1-3/8". Please specify finish. \$190 \$259 \$311



**3-609** Diverter/Flow Control Trim  
Use with stop or diverter valves, see page 355. \$246 \$334 \$381



**1-606U** 1/2" inlet/outlet universal stop valve.  
(clockwise off, for cross or lever handle) \$195 — —

**1-607U** 3/4" inlet/outlet universal stop valve.  
(clockwise off, for cross or lever handle) \$265 — —



**1-617** 1/2" In-wall 2 & 3 way diverter valve  
1 inlet, 3 outlets. \*\* \$279 — —



\*SEE PAGES 312-315  
FOR HOW TO USE  
THESE DIVERTERS.


1/2" in-wall diverter valves\* with:


**1-701** 3 function with off. 1 inlet, 3 outlets.\*\* \$334 — —  
**1-702** 5 function with share and off. 1 inlet, 3 outlets. \$334 — —  
**1-703** 3 function with pause. 1 inlet, 3 outlets.\*\* \$334 — —  
**1-704** 2 function with off. 1 inlet, 2 outlets.\*\* \$334 — —  
**1-705** 3 function with share and off. 1 inlet, 2 outlets. \$334 — —  
**1-706** 2 function with pause. 1 inlet, 2 outlets.\*\* \$334 — —  
**1-707** 3 function with share (no off). 1 inlet, 2 outlets. \$334 — —


METRO - 2540


	2540-1230 18" Towel Bar	\$311	\$373	\$465
	2540-1250 24" Towel Bar	\$345	\$416	\$519

	2540-1410 Towel Ring	\$235	\$283	\$354
---	----------------------	-------	-------	-------



	2540-1650 Single Robe Hook	\$112	\$136	\$169
---	----------------------------	-------	-------	-------

	2540-1660 Double Robe Hook	\$167	\$198	\$247
--	----------------------------	-------	-------	-------

	2540-1570 Open Toilet Tissue Holder, Right	\$192	\$231	\$290
---	--	-------	-------	-------

	2540-1500 Double Post Toilet Tissue Holder	\$253	\$304	\$380
---	--	-------	-------	-------

**HOW TO ORDER:** **STEP 1: Select Decorative Rings and Mounting Kit**  
**STEP 2: Select Grab Bar Tube**

	<b>STEP 1:</b> 2040-2400 Decorative Rings and Mounting Kit	\$220	\$230	\$282
	<b>STEP 2:</b> 5080SQ 12" Grab Bar Tube	\$181	\$215	\$250
	5081SQ 16" Grab Bar Tube	\$221	\$297	\$350
	5082SQ 18" Grab Bar Tube	\$244	\$299	\$365
	5083SQ 24" Grab Bar Tube	\$283	\$340	\$402
	5085SQ 36" Grab Bar Tube	\$369	\$462	\$533





2040-3942 42" Grab Bar

\$691 \$933 \$1,074

Sold as complete unit





Available Finishes:		PC	SN
<b>2804</b>	32" Towel Bar	\$442	\$530




Available Finishes:		PC	SN
<b>2806L</b>	Open Toilet Tissue Holder, Left	\$192	\$231



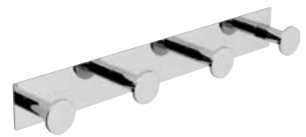
Available Finishes:		PC	SN
<b>2809</b>	Double Open Tissue Holder	\$233	\$281




Available Finishes:		PC	SN
<b>2807</b>	Spare Toilet Tissue Holder	\$205	\$247



Available Finishes:		PC	SN
<b>2810T</b>	Triple Robe Hook	\$231	\$254



Available Finishes:		PC	SN
<b>2810Q</b>	Quadruple Robe Hook	\$281	\$308



Available Finishes:		PC	SN
<b>2835T-24</b>	24" Gallery Shelf	\$442	\$530



Available Finishes:		PC	SN
<b>2819RT-12</b>	12" Gallery Shelfw/Towel Bar	\$419	NA
<b>2819RT-24</b>	24" Gallery Shelfw/Towel Bar	\$491	NA



Available Finishes:		PC	SN
<b>28500</b>	Shower Shelf - Soap Holder	\$337	\$405




Available Finishes:		PC	SN
<b>28502</b>	12" Shower Shelf	\$499	\$599




Available Finishes:		PC	SN
<b>28501</b>	14" Combination Shower Shelf	\$770	\$924




Available Finishes:		PC	SN
<b>28505</b>	Corner Shower Shelf	\$731	\$876



Available Finishes:		PC	SN
<b>28504R</b>	Combination Corner Shower Shelf, Right	\$738	\$883



Available Finishes:		PC	SN
<b>28504L</b>	Combination Corner Shower Shelf, Left	\$738	\$883



IMPORTANT: Order (1) Mounting Kit plus (1) Frame to make a complete unit.

Available Finishes:		PC	SN
<b>524B</b>	Hotel Shelf Mounting Kit	\$124	\$148
<b>XX43-20</b>	20" Hotel Shelf Frame with Towel Bar	\$306	\$366
<b>XX43-24</b>	24" Hotel Shelf Frame with Towel Bar	\$326	\$387



IMPORTANT: Order (1) Mounting Kit plus (1) Frame to make a complete unit.

Available Finishes:		PC	SN
<b>524B</b>	Hotel Shelf Mounting Kit	\$124	\$148
<b>XX43S-20</b>	20" Hotel Shelf Frame w/ Towel Bar, Squared Corners	\$384	\$463
<b>XX43S-24</b>	24" Hotel Shelf Frame w/ Towel Bar, Squared Corners	\$415	\$497



Available Finishes:		PC	SN
<b>2881</b>	Single Light	\$570	\$683



Available Finishes:		PC	SN
<b>2882</b>	Double Light	\$675	\$812



\*\*Mirror tilts 4.5°  
with mechanism.

Available Finishes:		PC	SN
<b>2841</b>	18.26" x 34" Overall Mirror	\$587	\$689
<b>MTM-009</b>	Tilt Mechanism, Optional**	\$88	\$88

# METROPOLE

1200/1220/1230



LAVATORY FAUCETS | TUB & SHOWER | TANK LEVER | ACCESSORIES | GRAB BARS

		<p><b>1200</b></p>	<p>Widespread Lavatory Faucet Lever handles. 1/2" valves. Spout c-c 5.62". 8" centers.</p>	<p>\$878</p>	<p>\$1,242</p>	<p>\$1,429</p>
		<p><b>1200C</b></p>	<p>Widespread Lavatory Faucet Lever handles. 1/2" valves. Spout c-c 5.79". 8" centers.</p>	<p>\$995</p>	<p>\$1,295</p>	<p>\$1,490</p>
		<p><b>1220</b></p>	<p>Widespread Lavatory Faucet Cross handles 1/2" valves. Spout c-c 5.62" 8" centers.</p>	<p>\$878</p>	<p>\$1,242</p>	<p>\$1,429</p>
		<p><b>1220C</b></p>	<p>Widespread Lavatory Faucet Cross handles 1/2" valves. Spout c-c 5.79" 8" centers</p>	<p>\$995</p>	<p>\$1,295</p>	<p>\$1,490</p>
		<p><b>1230</b></p>	<p>Widespread Lavatory Faucet <b>Crystal Handles.</b> 1/2" valves. Spout c-c 5.62". 8" centers.</p>	<p>\$1,118</p>	<p>\$1,509</p>	<p>\$1,676</p>
		<p><b>1230C</b></p>	<p>Widespread Lavatory Faucet <b>Crystal Handles.</b> 1/2" valves. Spout c-c 5.79". 8" centers.</p>	<p>\$1,229</p>	<p>\$1,573</p>	<p>\$1,727</p>



**1203** Single Hole Lavatory Faucet  
4.32" spout height at outlet.  
5.59" spout reach (c-c).  
8.02" overall height.  
Includes #330 lift and turn drain.

\$950 \$1,285 \$1,473

**101** Cover Plate, Optional  
6" x 2.5".

\$99 \$142 \$152



**1203-1** Single Hole Vessel Faucet  
7.51" spout height at outlet.  
5.59" spout reach (c-c).  
10.91" overall height.  
Drain not included. For Lavatory sink drains, see Brasstech  
# 330, 3301, 3302 or 3303. For bar sink drains, see #130 or 131.

\$1,057 \$1,424 \$1,638

**101** Cover Plate, Optional  
6" x 2.5".

\$99 \$142 \$152



**1233** Single Hole Lavatory Faucet with **Crystal Handle**  
4.32" spout height at outlet.  
5.59" spout reach (c-c).  
8.02" overall height.  
Includes #330 lift and turn drain.

\$1,091 \$1,472 \$1,689

**101** Cover Plate, Optional  
6" x 2.5".

\$99 \$142 \$152



**1233-1** Single Hole Vessel Faucet with **Crystal Handle**  
7.51" spout height at outlet.  
5.59" spout reach (c-c).  
10.91" overall height.  
Drain not included. For lavatory sink drains, see Brasstech  
# 330, 3301, 3302 or 3303. For bar sinks, see #130 or 131.

\$1,196 \$1,615 \$1,856

**101** Cover Plate, Optional  
6" x 2.5".

\$99 \$142 \$152



**3-1201** Wall Mount Lavatory Faucet  
Lever Handles. Spout c-c 7.50".  
8" centers. Drain not included.  
See Brasstech #330, 3301, 3302, or 3303.  
**MUST ORDER VALVE SEPARATELY.**

\$707 \$989 \$1,187

**1-532U** 2-valve rough with 1/2" NPT inlets & outlet.

\$358 — —



**3-1221** Wall Mount Lavatory Faucet  
Cross Handles. Spout c-c 7.50".  
8" centers. Drain not included.  
See Brasstech #330, 3301, 3302, or 3303.  
**MUST ORDER VALVE SEPARATELY.**

\$707 \$989 \$1,187

**1-532U** 2-valve rough with 1/2" NPT inlets & outlet.

\$358 — —



**3-1231** Wall Mount Lavatory Faucet  
Cross Handles with **Crystal Handle**.  
Spout c-c 7.50". 8" centers. Drain not included.  
See Brasstech #330, 3301, 3302, or 3303.  
**MUST ORDER VALVE SEPARATELY.**

\$916 \$1,284 \$1,540

**1-532U** 2-valve rough with 1/2" NPT inlets & outlets.

\$358 — —



**5-1202BP** BP Tub & Shower Trim. Lever Handle.  
Less tub spout, showerhead, arm and flange.  
**MUST ORDER VALVE SEPARATELY.**










\$450 \$586 \$677

**1-685** Newport Brass BP Valve with diverter, 4 port with  
service stops, universal 1/2" NPT & direct sweat  
connections.



\$384 — —


**See Shower & Drain Sections to complete shower.**


METROPOLE - 1200, 1220, 1230



	<b>5-1222BP</b> BP Tub & Shower Trim. Cross Handle. Less tub spout, showerhead, arm and flange. MUST ORDER VALVE SEPARATELY.	\$450	\$586	\$677
	<b>1-685</b> Newport Brass BP Valve with diverter, 4 port with service stops, universal 1/2" NPT & direct sweat connections. <b>See Shower &amp; Drain Sections to complete shower.</b>	\$384	—	—
	<b>5-1232BP</b> BP Tub & Shower Trim. <b>Crystal Handle.</b> Less tub spout, showerhead, arm and flange. MUST ORDER VALVE SEPARATELY.	\$771	\$1,004	\$1,156
	<b>1-685</b> Newport Brass BP Valve with diverter, 4 port with service stops, universal 1/2" NPT & direct sweat connections. <b>See Shower &amp; Drain Sections to complete shower.</b>	\$384	—	—
	<b>3-1204BP</b> BP Shower Set. Lever Handle. MUST ORDER VALVE SEPARATELY.	\$666	\$863	\$998
	<b>1-684</b> Newport Brass BP Valve, 3 port with service stops, universal 1/2" NPT & direct sweat connections.	\$278	—	—
	<b>4-1204BP</b> BP Shower Trim. Lever Handle. Less showerhead, arm and flange. MUST ORDER VALVE SEPARATELY.	\$359	\$468	\$542
	<b>1-684</b> Newport Brass BP Valve, 3 port with service stops, universal 1/2" NPT & direct sweat connections. <b>See Shower &amp; Drain Sections to complete shower.</b>	\$278	—	—
	<b>4-1224BP</b> BP Shower Trim. Cross Handle Less showerhead, arm and flange. MUST ORDER VALVE SEPARATELY.	\$359	\$468	\$542
	<b>1-684</b> Newport Brass BP Valve, 3 port with service stops, universal 1/2" NPT & direct sweat connections. <b>See Shower &amp; Drain Sections to complete shower.</b>	\$278	—	—
	<b>4-1234BP</b> BP Shower Trim. <b>Crystal Handle.</b> Less showerhead, arm and flange. MUST ORDER VALVE SEPARATELY.	\$678	\$882	\$1,019
	<b>1-684</b> Newport Brass BP Valve, 3 port with service stops, universal 1/2" NPT & direct sweat connections. <b>See Shower &amp; Drain Sections to complete shower.</b>	\$278	—	—
	<b>2-144</b> Tub Spout 1/2" NPT inlet fitting. 7.56" spout overall length.	\$230	\$312	\$358
	<b>3-1205</b> Wall Mount Tub Faucet. Lever Handles. MUST ORDER VALVES SEPARATELY.	\$719	\$933	\$1,078
	<b>1-500U</b> 2-valve rough with 1/2" NPT inlets & outlet.	\$358	—	—







	<b>3-1225</b>	Wall Mount Tub Faucet Cross Handles. MUST ORDER VALVES SEPARATELY.	\$719	\$933	\$1,078
	<b>1-500U</b>	2-valve rough with 1/2" NPT inlets & outlet.	\$358	—	—



	<b>3-1206</b>	Roman Tub Faucet. Lever Handles. Spout c-c 9.27". MUST ORDER VALVES SEPARATELY.	\$1,036	\$1,350	\$1,559
	<b>1-502</b>	3/4" valve for above, quick connect included.	\$438	—	—


	<b>3-1236</b>	Roman Tub Faucet. <b>Crystal Handles.</b> Spout c-c 9.27". MUST ORDER VALVES SEPARATELY.	\$1,337	\$1,738	\$2,007
	<b>1-502</b>	3/4" valve for above, quick connect included.	\$438	—	—

	<b>3-1207</b>	Roman Tub Faucet with Handshower Lever Handles. Spout c-c 9.27". MUST ORDER VALVES SEPARATELY.	\$1,398	\$1,818	\$2,097
	<b>1-503</b>	3/4" valve for above. Includes Nos. 289 and 290 roughs and quick connect.	\$883	—	—

	<b>3-1237</b>	Roman Tub Faucet with Handshower <b>Crystal Handles.</b> Spout c-c 9.27". Set includes: 1 each No. 280 Handshower, No. 284 59" Hose, No.289 Deck Flange Kit. MUST ORDER VALVES SEPARATELY.	\$1,687	\$2,193	\$2,532
	<b>1-503</b>	3/4" valve for above. Includes Nos. 289 and 290 roughs and quick connect.	\$883	—	—

	<b>1200-4273</b>	Exposed Tub and Hand Shower Set - Deck Mount 7.25" centers. Spout c-c 9.11". Includes: 281 Hand Shower	\$1,805	\$2,300	\$2,795
					

	<b>1200-4283</b>	Exposed Tub and Hand Shower Set - Wall Mount 6" centers. Spout c-c 7". Includes: 281 Hand Shower Floor-mount kit item 3-196 or 3-226 sold separately.	\$1,723	\$2,214	\$2,683
					

	<b>3-196</b>	Floor Mount Kit for Exposed Tub Sets Set includes: 2 each Floor Flanges 2 each 3/4" Risers - 31" high. Stabilizer kit sold separately.	\$637	\$888	\$1,066
	<b>3-226</b>	Same as above only 24" high.	\$612	\$855	\$1,029
	<b>3-192</b>	3/4" Shut-off Valves for above (1 pair hot & cold).	\$896	\$1,065	\$1,278

METROPOLE - 1200, 1220, 1230



**1-378** Optional Rough For Exposed Tub Filler  
For subfloor or concrete floor installations.  
3.65" overall height.  
10.38" x 5" overall base size.  
Universal 1/2" NPT connections. Test caps included.  
For use with 3-196 or 3-226 tub risers.

\$440 — —



**2-734** Stabilizer Kit for Exposed Tub Floor Riser Kits  
Adjustable for risers that are 6" to 9" apart.  
Includes 1-1/2" finished ring for connecting kit to  
tub overflow pipe. Finished plate for wall mounting  
up to 10" center of riser pipes.

\$314 \$406 \$435



**1209** Bidet Set. Lever Handles.  
1/2" valves. Includes bottom spray  
with vacuum breaker, 4 mount bidet.

\$1,585 \$2,217 \$2,662



**3-923TR** 1/2" Thermostatic Trim Plate with Handles  
Integrated diverter handle with independent  
temperature control.  
MUST ORDER VALVE SEPARATELY.

\$587 \$789 \$905



**3-1203TR** 1/2" Thermostatic Trim Plate with Handles  
Integrated diverter handle with independent  
temperature control.  
MUST ORDER VALVE SEPARATELY.

\$587 \$789 \$905



**3-923TS** 1/2" Thermostatic Trim Plate with Handles  
Integrated diverter handle with independent  
temperature control.  
MUST ORDER VALVE SEPARATELY.

\$628 \$834 \$960



**3-1203TS** 1/2" Thermostatic Trim Plate with Handles  
Integrated diverter handle with independent  
temperature control.  
MUST ORDER VALVE SEPARATELY.

\$628 \$834 \$960



1-741

**1-741** 1/2" Thermostatic Rough-in Valve 1-Port  
**1-742** 1/2" Thermostatic Rough-in Valve 2-Port\*\*  
**1-743** 1/2" Thermostatic Rough-in Valve 3-Port - Shared  
**1-744** 1/2" Thermostatic Rough-in Valve 3-Port\*\*  
**1-745** 1/2" Thermostatic Rough-in Valve 2-Port - Shared

\$524 — —  
\$627 — —  
\$686 — —  
\$686 — —  
\$627 — —

See page 348 for more details.

\*\*Cal Green compliant



**20-146** 1/2" Valve Trim Extension Kit  
Extends 1-3/8". Please specify finish.

\$273 \$368 \$423



**3-924TR** 3/4" Thermostatic Trim Plate with Handle  
MUST ORDER VALVE SEPARATELY.

\$480 \$624 \$719



**3-1204TR** 3/4" Thermostatic Trim Plate with Handle  
MUST ORDER VALVE SEPARATELY.

\$480 \$624 \$719



**1-540** 3/4" Thermostatic Rough-in Valve  
Flow rate of 18 gallons per minute at 60 PSI.  
Factory calibrated comfort setting at 100-deg F,  
built-in check valves with service stops.  
IAPMO Listed. Meets ASSE Standard 1016.

\$794 — —

MUST USE WITH SEPARATE STOP/VOLUME CONTROL



**2-260** 3/4" Valve trim extension kit  
Extends 1-3/8". Please specify finish.

\$190 \$259 \$311



**3-245** Diverter/Flow Control Handle  
Use with stop or diverter valves, see page 355.

\$210 \$293 \$353



**3-447** Diverter/Flow Control Handle  
**Crystal Handle.**  
Use with stop or diverter valves, see page 355.

\$384 \$500 \$579



**3-595** Diverter/Flow Control Trim. Arrow Insert.  
Use with stop or diverter valves, see page 355.

\$210 \$293 \$353



- 1-606U** 1/2" inlet/outlet universal stop valve.  
(clockwise off, for cross or lever handle)
- 1-607U** 3/4" inlet/outlet universal stop valve.  
(clockwise off, for cross or lever handle)

\$195	—	—
\$265	—	—



- 1-617** 1/2" In-wall 2 & 3 way diverter valve  
1 inlet, 3 outlets.\*\*

\$279	—	—
-------	---	---

1/2" in-wall diverter valves\* with:



\*SEE PAGES 312-315  
FOR HOW TO USE  
THESE DIVERTERS.

- 1-701** 3 function with off. 1 inlet, 3 outlets.\*\*
- 1-702** 5 function with share and off. 1 inlet, 3 outlets.
- 1-703** 3 function with pause. 1 inlet, 3 outlets.\*\*
- 1-704** 2 function with off. 1 inlet, 2 outlets.\*\*
- 1-705** 3 function with share and off. 1 inlet, 2 outlets.
- 1-706** 2 function with pause. 1 inlet, 2 outlets.\*\*
- 1-707** 3 function with share (no off). 1 inlet, 2 outlets.

\$334	—	—
\$334	—	—
\$334	—	—
\$334	—	—
\$334	—	—
\$334	—	—
\$334	—	—



- 2-279** Tank Lever for Metropole Series
- 6-505** Tank Lever Mechanism

\$169	\$217	\$235
\$115	\$139	\$155



- 1200-1230** 18" Towel Bar
- 1200-1250** 24" Towel Bar

\$213	\$255	\$327
\$220	\$262	\$334



- 1200-1400** Towel Ring - Open

\$184	\$221	\$282
-------	-------	-------



- 1200-1650** Single Robe Hook

\$104	\$122	\$153
-------	-------	-------



1200-1660 Double Robe Hook

\$125 \$152 \$189



1200-1510 Hanging Toilet Tissue Holder

\$197 \$214 \$294



1200-1500 Double Post Toilet Tissue Holder

\$255 \$279 \$390

**HOW TO ORDER:** STEP 1: Select Decorative Rings and Mounting Kit  
STEP 2: Select Grab Bar Tube



**STEP 1:** 1200-2400 Decorative Rings and Mounting Kit

\$160 \$218 \$274

- STEP 2:**
- 5080 12" Grab Bar Tube
  - 5081 16" Grab Bar Tube
  - 5082 18" Grab Bar Tube
  - 5083 24" Grab Bar Tube
  - 5085 36" Grab Bar Tube

\$140 \$206 \$230  
\$166 \$233 \$293  
\$187 \$260 \$285  
\$224 \$301 \$347  
\$330 \$410 \$485



1200-3942 42" Grab Bar

\$599 \$781 \$944


Sold as complete unit



METROPOLE - 1200, 1220, 1230




Available Finishes:		PC	PN	SN
<b>604</b>	32" Towel Bar	\$250	\$299	



Available Finishes:		PC	PN	SN
<b>635T-24</b>	24" Gallery Shelf	\$499	\$599	



Available Finishes:		PC	PN	SN
<b>682S0</b>	Single Light Satin Opal Glass	\$435	\$521	



**\*\*Mirror tilts 4.5° with mechanism.**

Available Finishes:		PC	PN	SN
<b>642</b>	Framed Mirror 26.40" x 36" Overall	\$774	\$931	
<b>MTM-009</b>	Tilting Mechanism Optional**	\$88	\$88	

# MIRO

## 1600 | 1620



LAVATORY FAUCETS | TUB & SHOWER | TANK LEVER | ACCESSORIES | GRAB BARS



**1600** Widespread Lavatory Faucet  
Cross Handles. 1/2" valves.  
Spout c-c 5.55" . 8" centers.

\$1,023    \$1,406    \$1,613



**1620** Widespread Lavatory Faucet  
Lever Handles. 1/2" valves.  
Spout c-c 5.55" . 8" centers.

\$1,023    \$1,406    \$1,613



**5-1602BP** BP Tub & Shower Trim. Cross Handle.  
Less tub spout, showerhead, arm and flange.  
**MUST ORDER VALVE SEPARATELY.**

\$569    \$741    \$855

**1-685** Newport Brass BP Valve with diverter, 4 port with  
service stops, universal 1/2" NPT & direct sweat  
connections.

\$384    —    —

**See Shower & Drain Sections to complete shower.**



**5-1622BP** BP Tub & Shower Trim. Lever Handle.  
Less tub spout, showerhead, arm and flange.  
**MUST ORDER VALVE SEPARATELY.**

\$569    \$741    \$855

**1-685** Newport Brass BP Valve with diverter, 4 port with  
service stops, universal 1/2" NPT & direct sweat  
connections.

\$384    —    —

**See Shower & Drain Sections to complete shower.**



**4-1604BP** BP Shower Trim. Cross Handle.  
Less showerhead, arm and flange.  
**MUST ORDER VALVE SEPARATELY.**

\$480    \$624    \$719

**1-684** Newport Brass BP Valve, 3 port with service stops,  
universal 1/2" NPT & direct sweat connections.

\$278    —    —

**See Shower & Drain Sections to complete shower.**



**3-1624BP** BP Shower Set. Lever Handle.  
**MUST ORDER VALVE SEPARATELY.**

\$783    \$1,016    \$1,174



**1-684** Newport Brass BP Valve, 3 port with service stops,  
universal 1/2" NPT & direct sweat connections.

\$278    —    —

MIRO - 1600, 1620



**4-1624BP** BP Shower Trim. Lever Handle.  
Less showerhead, arm and flange.  
**MUST ORDER VALVE SEPARATELY.**

\$480 \$624 \$719

**1-684** Newport Brass BP Valve, 3 port with service stops,  
universal 1/2" NPT & direct sweat connections.

\$278 — —

**See Shower & Drain Sections to complete shower.**



**2-564** Tub Spout with Stream Straightener  
3/4" NPT inlet (1/2" bushing included).  
7.43" spout overall length.

\$245 \$326 \$389



**3-1605** Wall Mount Tub Faucet  
Cross Handles.  
**MUST ORDER VALVES SEPARATELY.**

\$798 \$1,036 \$1,199

**1-500U** 2-valve rough with 1/2" NPT inlets & outlet.

\$358 — —



**3-1625** Wall Mount Tub Faucet  
Lever Handles.  
**MUST ORDER VALVES SEPARATELY.**

\$798 \$1,036 \$1,199

**1-500U** 2-valve rough with 1/2" NPT inlets & outlet.

\$358 — —



**3-1606** Roman Tub Faucet  
Cross Handles. Spout c-c 9.06".  
**MUST ORDER VALVES SEPARATELY.**

\$1,199 \$1,559 \$1,798

**1-506** 3/4" valve only for above. Quick connect included.

\$438 — —



**3-1626** Roman Tub Faucet  
Lever Handles. Spout c-c 9.06".  
**MUST ORDER VALVES SEPARATELY.**

\$1,199 \$1,559 \$1,798

**1-506** 3/4" valve only for above.  
Quick connect included.

\$438 — —



**3-1607** Roman Tub Faucet with Handshower  
Cross Handles. Spout c-c 9.06".  
**MUST ORDER VALVES SEPARATELY.**

\$1,584 \$2,056 \$2,372

**1-507** 3/4" valve only for above.  
Includes hose and quick connect.

\$883 — —



**3-1627** Roman Tub Faucet with Handshower  
Lever Handles. Spout c-c 9.06".  
**MUST ORDER VALVES SEPARATELY.**

\$1,584 \$2,056 \$2,372

**1-507** 3/4" valve only for above.  
Includes hose and quick connect.

\$883 — —





**1600-4272** Exposed Tub and Hand Shower Set - Deck Mount Cross Handles.  
7.25" centers. Spout c-c 9.11".  
Includes: 281 Hand Shower

\$1,805 \$2,300 \$2,795



**1620-4273** Exposed Tub and Hand Shower Set - Deck Mount Lever Handles.  
7.25" centers. Spout c-c 9.11".  
Includes: 281 Hand Shower

\$1,805 \$2,300 \$2,795



**1600-4282** Exposed Tub and Hand Shower Set - Wall Mount Cross Handles.  
6" centers. Spout c-c 7".  
Includes: 281 Hand Shower  
Floor-mount kit item 3-196  
or 3-226 sold separately.

\$1,723 \$2,214 \$2,683



**1620-4283** Exposed Tub and Hand Shower Set - Wall Mount Lever Handles.  
6" centers. Spout c-c 7".  
Includes: 281 Hand Shower  
Floor-mount kit item 3-196  
or 3-226 sold separately.

\$1,723 \$2,214 \$2,683



**3-196** Floor Mount Kit for Exposed Tub Sets  
Set includes: 2 each Floor Flanges  
2 each 3/4" Risers - 31" high.  
Stabilizer kit sold separately.

\$637 \$888 \$1,066

**3-226** Same as above only 24" high. \$612 \$855 \$1,029

**3-192** 3/4" Shut-off Valves for above (1 pair hot & cold). \$896 \$1,065 \$1,278



**1-378** Optional Rough For Exposed Tub Filler  
For subfloor or concrete floor installations.  
3.65" overall height.  
10.38" x 5" overall base size.  
Universal 1/2" NPT connections. Test caps included.  
For use with 3-196 or 3-226 tub risers.

\$440 — —



**2-734** Stabilizer Kit for Exposed Tub Floor Riser Kits  
Adjustable for risers that are 6" to 9" apart.  
Includes 1-1/2" finished ring for connecting kit to  
tub overflow pipe. Finished plate for wall mounting  
up to 10" center of riser pipes.









\$314 \$406 \$435



**1629** Bidet Set  
1/2" valves. Lever Handles.  
Includes bottom spray with vacuum breaker,  
4 hole mount bidet.

\$1,936 \$2,617 \$3,137

MIRO - 1600, 1620

	<b>3-1603TR</b>	1/2" Thermostatic Trim Plate with Handles Integrated diverter handle with independent temperature control.  MUST ORDER VALVE SEPARATELY.	\$628	\$834	\$960
	<b>3-1623TR</b>	1/2" Thermostatic Trim Plate with Handles Integrated diverter handle with independent temperature control.  MUST ORDER VALVE SEPARATELY.	\$628	\$834	\$960
	<b>1-741</b>	1/2" Thermostatic Rough-in Valve 1-Port	\$524	—	—
	<b>1-742</b>	1/2" Thermostatic Rough-in Valve 2-Port**	\$627	—	—
	<b>1-743</b>	1/2" Thermostatic Rough-in Valve 3-Port - Shared	\$686	—	—
	<b>1-744</b>	1/2" Thermostatic Rough-in Valve 3-Port**	\$686	—	—
	<b>1-745</b>	1/2" Thermostatic Rough-in Valve 2-Port - Shared	\$627	—	—
		See page 348 for more details.			
	<b>20-146</b>	1/2" Valve Trim Extension Kit Extends 1-3/8". Please specify finish.	\$273	\$368	\$423
	<b>3-1604TR</b>	3/4" Thermostatic Trim Plate with Handle MUST ORDER VALVE SEPARATELY.	\$559	\$727	\$838
	<b>3-1624TR</b>	3/4" Thermostatic Trim Plate with Handle MUST ORDER VALVE SEPARATELY.	\$559	\$727	\$838
	<b>1-540</b>	3/4" Thermostatic Rough-in Valve Flow rate of 18 gallons per minute at 60 PSI. Factory calibrated comfort setting at 100-deg F, built-in check valves with service stops. IAPMO Listed. Meets ASSE Standard 1016.  MUST USE WITH SEPARATE STOP/VOLUME CONTROL	\$794	—	—
	<b>2-260</b>	3/4" Valve trim extension kit Extends 1-3/8". Please specify finish.	\$190	\$259	\$311



**3-279** Diverter/Flow Control Trim  
Use with stop or diverter valves, see page 355. \$256 \$357 \$429



**3-279L** Diverter/Flow Control Trim  
Use with stop or diverter valves, see page 355. \$256 \$357 \$429



**1-606U** 1/2" inlet/outlet universal stop valve.  
(clockwise off, for cross or lever handle) \$195 — —

**1-607U** 3/4" inlet/outlet universal stop valve.  
(clockwise off, for cross or lever handle) \$265 — —



**1-617** 1/2" In-wall 2 & 3 way diverter valve  
1 inlet, 3 outlets.\*\* \$279 — —

1/2" in-wall diverter valves\* with:



\*SEE PAGES 312-315  
FOR HOW TO USE  
THESE DIVERTERS.

**1-701** 3 function with off. 1 inlet, 3 outlets.\*\* \$334 — —  
**1-702** 5 function with share and off. 1 inlet, 3 outlets. \$334 — —  
**1-703** 3 function with pause. 1 inlet, 3 outlets.\*\* \$334 — —  
**1-704** 2 function with off. 1 inlet, 2 outlets.\*\* \$334 — —  
**1-705** 3 function with share and off. 1 inlet, 2 outlets. \$334 — —  
**1-706** 2 function with pause. 1 inlet, 2 outlets.\*\* \$334 — —  
**1-707** 3 function with share (no off). 1 inlet, 2 outlets. \$334 — —



**2-436** Tank Lever for Miro Series \$133 \$172 \$185

**6-505** Tank Lever Mechanism \$115 \$139 \$155



**1600-1230** 18" Towel Bar \$154 \$185 \$251

**1600-1250** 24" Towel Bar \$159 \$189 \$256

MIRO - 1600, 1620



1600-1200 8" Towel Bar

\$143 \$167 \$228



1600-1660 Double Robe Hook

\$93 \$113 \$154



1600-1500 Double Post Toilet Tissue Holder

\$177 \$213 \$291

**HOW TO ORDER:** STEP 1: Select Decorative Rings and Mounting Kit  
STEP 2: Select Grab Bar Tube



**STEP 1:** 1600-2400 Decorative Rings and Mounting Kit

\$259 \$383 \$429

**STEP 2:** 5080 12" Grab Bar Tube  
5081 16" Grab Bar Tube  
5082 18" Grab Bar Tube  
5083 24" Grab Bar Tube  
5085 36" Grab Bar Tube

\$140 \$206 \$230  
\$166 \$233 \$293  
\$187 \$260 \$285  
\$224 \$301 \$347  
\$330 \$410 \$485



1600-3942 42" Grab Bar

\$691 \$933 \$1,074

Sold as complete unit





Available Finishes:		PC	PN	SN
<b>2622-24</b>	24" Double Towel Bar	\$276	\$328	




Available Finishes:		PC	PN	SN
<b>2609</b>	Hanging Toilet Tissue Holder	\$186	\$220	



Available Finishes:		PC	PN	SN
<b>2636T</b>	12" Shelf With Towel Bar	\$225	\$259	



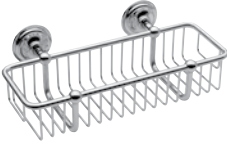
Available Finishes:		PC	PN	SN
<b>2619T-24</b>	24" Shelf with Towel Bar	\$300	\$360	




Available Finishes:		PC	PN	SN
<b>2635T-24</b>	24" Gallery Rail Shelf	\$300	\$360	




Available Finishes:		PC	PN	SN
<b>26550</b>	Soap Basket	\$197	\$236	



Available Finishes:		PC	PN	SN
<b>26551</b>	10" Toiletry Basket	\$322	\$382	




Available Finishes:		PC	PN	SN
<b>26552</b>	12" Toiletry Basket	\$402	\$481	




Available Finishes:		PC	PN	SN
<b>26554</b>	9" Corner Basket	\$340	\$407	



Available Finishes:		PC	PN	SN
<b>2681</b>	Single Light White Fabric Shade	\$239	\$281	



Available Finishes:		PC	PN	SN
<b>2641</b>	18.63" x 30.65" Overall Frameless Pivoting Mirror	\$452	\$519	





Available Finishes:		PC	PN	SN
<b>2642</b>	23.60" x 36.65" Overall Frameless Pivoting Mirror	\$485	\$554	









# MUNCY

3290 | 3300 | 3360 | 3370











LAVATORY FAUCETS | TUB & SHOWER | ACCESSORIES | GRAB BARS

 	3290	Widespread Lavatory Faucet Lever Handles. 1/2" valves. Spout c-c 7.13". 8" centers.	\$1,132	\$1,584	\$1,867
 	3300	Widespread Lavatory Faucet Cross Handles. 1/2" valves. Spout c-c 7.13". 8" centers.	\$1,132	\$1,584	\$1,867
  	3360	Widespread Lavatory Faucet Lever Handles. 1/2" valves. Spout c-c 6.13". 8" centers.	\$1,132	\$1,584	\$1,867
  	3370	Widespread Lavatory Faucet Cross Handles. 1/2" valves. Spout c-c 6.13". 8" centers.	\$1,132	\$1,584	\$1,867
 	3-3291	Wall Mount Lavatory Faucet Lever handles. Spout c-c 9.50". 8" centers. Drain not included. See Brasstech #330, 3301, 3302, or 3303. MUST ORDER VALVE SEPARATELY.	\$855	\$1,196	\$1,494
	1-532U	2-valve rough with 1/2" NPT inlets & outlet.	\$358	—	—
 	3-3301	Wall Mount Lavatory Faucet Cross handles. Spout c-c 9.50". 8" centers. Drain not included. See Brasstech #330, 3301, 3302, or 3303. MUST ORDER VALVE SEPARATELY.	\$855	\$1,196	\$1,494
	1-532U	2-valve rough with 1/2" NPT inlets & outlet.	\$358	—	—

	<b>5-3292BP</b>	BP Tub & Shower Trim. Lever Handle. Less tub spout, showerhead, arm and flange. MUST ORDER VALVE SEPARATELY.	\$759	\$1,062	\$1,191
	<b>1-685</b>	Newport Brass BP Valve with diverter, 4 port with service stops, universal 1/2" NPT & direct sweat connections. <b>See Shower &amp; Drain Sections to complete shower.</b>	\$384	—	—
	<b>5-3302BP</b>	BP Tub & Shower Trim. Cross Handle. Less tub spout, showerhead, arm and flange. MUST ORDER VALVE SEPARATELY.	\$759	\$1,062	\$1,191
	<b>1-685</b>	Newport Brass BP Valve with diverter, 4 port with service stops, universal 1/2" NPT & direct sweat connections. <b>See Shower &amp; Drain Sections to complete shower.</b>	\$384	—	—
	<b>4-3294BP</b>	BP Shower Trim. Lever Handle. Less showerhead, arm and flange. MUST ORDER VALVE SEPARATELY.	\$674	\$942	\$1,076
	<b>1-684</b>	Newport Brass BP Valve, 3 port with service stops, universal 1/2" NPT & direct sweat connections. <b>See Shower &amp; Drain Sections to complete shower.</b>	\$278	—	—
	<b>4-3304BP</b>	BP Shower Trim. Cross Handle. Less showerhead, arm and flange. MUST ORDER VALVE SEPARATELY.	\$674	\$942	\$1,076
	<b>1-684</b>	Newport Brass BP Valve, 3 port with service stops, universal 1/2" NPT & direct sweat connections. <b>See Shower &amp; Drain Sections to complete shower.</b>	\$278	—	—
	<b>3-695</b>	Tub Spout with Stream Straightener 3/4" NPT inlet (1/2" bushing included). 9.94" spout overall length.	\$291	\$393	\$452
	<b>3-3295</b>	Wall Mount Tub Faucet. Lever Handles. MUST ORDER VALVE SEPARATELY.	\$898	\$1,257	\$1,457
	<b>1-500U</b>	2-valve rough with 1/2" NPT inlets & outlet.	\$358	—	—
	<b>3-3305</b>	Wall Mount Tub Faucet. Cross Handles. MUST ORDER VALVE SEPARATELY.	\$898	\$1,257	\$1,457
	<b>1-500U</b>	2-valve rough with 1/2" NPT inlets & outlet.	\$358	—	—
	<b>3-3296</b>	Roman Tub Faucet Lever Handles. Spout c-c 7.88". MUST ORDER VALVE SEPARATELY.	\$1,339	\$1,874	\$2,153
	<b>1-665</b>	3/4" Valve for above. Quick connect included.	\$438	—	—

MUNCY - 3290, 3300

	<b>3-3306</b>	Roman Tub Faucet Cross Handles. Spout c-c 7.88". MUST ORDER VALVE SEPARATELY.	\$1,339	\$1,874	\$2,153
	<b>1-665</b>	3/4" Valve for above. Quick connect included.	\$438	—	—
	<b>3-3297</b>	Roman Tub Faucet with Handshower Lever Handles. Spout c-c 7.88". MUST ORDER VALVE SEPARATELY.	\$1,782	\$2,358	\$2,778
	<b>1-666</b>	3/4" valve for above Includes hose and quick connect.	\$883	—	—
	<b>3-3307</b>	Roman Tub Faucet with Handshower Cross Handles. Spout c-c 7.88". MUST ORDER VALVE SEPARATELY.	\$1,782	\$2,358	\$2,778
	<b>1-666</b>	3/4" valve for above Includes hose and quick connect.	\$883	—	—
	<b>3299</b>	Bidet Set Lever Handles. 1/2" valves. Includes bottom spray with vacuum breaker, 4 hole mount bidet.	\$1,945	\$2,721	\$2,994
	<b>3309</b>	Bidet Set Cross Handles. 1/2" valves. Includes bottom spray with vacuum breaker, 4 hole mount bidet.	\$1,945	\$2,721	\$2,994
	<b>3-3293TR</b>	1/2" Thermostatic Trim Plate with Handles Integrated diverter handle with independent temperature control. MUST ORDER VALVE SEPARATELY.	\$827	\$1,159	\$1,335
	<b>3-3303TR</b>	1/2" Thermostatic Trim Plate with Handles Integrated diverter handle with independent temperature control. MUST ORDER VALVE SEPARATELY.	\$827	\$1,159	\$1,335
	<b>1-741</b>	1/2" Thermostatic Rough-in Valve 1-Port	\$524	—	—
	<b>1-742</b>	1/2" Thermostatic Rough-in Valve 2-Port**	\$627	—	—
	<b>1-743</b>	1/2" Thermostatic Rough-in Valve 3-Port - Shared	\$686	—	—
	<b>1-744</b>	1/2" Thermostatic Rough-in Valve 3-Port**	\$686	—	—
	<b>1-745</b>	1/2" Thermostatic Rough-in Valve 2-Port - Shared	\$627	—	—
<b>1-741</b>		See page 348 for more details.			

\*\*Cal Green compliant



	<b>20-146</b>	1/2" Valve Trim Extension Kit Extends 1-3/8". Please specify finish.	\$273	\$368	\$423
	<b>3-3294TR</b>	3/4" Thermostatic Trim Plate with Handle MUST ORDER VALVE SEPARATELY.	\$775	\$1,044	\$1,298
	<b>3-3304TR</b>	3/4" Thermostatic Trim Plate with Handle MUST ORDER VALVE SEPARATELY.	\$775	\$1,044	\$1,298
	<b>1-540</b>	3/4" Thermostatic Rough-in Valve Flow rate of 18 gallons per minute at 60 PSI. Factory calibrated comfort setting at 100-deg F, built-in check valves with service stops. IAPMO Listed. Meets ASSE Standard 1016.  MUST USE WITH SEPARATE STOP/VOLUME CONTROL	\$794	—	—
	<b>2-260</b>	3/4" Valve trim extension kit Extends 1-3/8". Please specify finish.	\$190	\$259	\$311
	<b>3-692</b>	Diverter/Flow Control Trim Use with stop or diverter valves, see page 355.	\$241	\$338	\$421
	<b>3-693</b>	Diverter/Flow Control Trim Use with stop or diverter valves, see page 355.	\$241	\$338	\$421
	<b>1-606U</b>	1/2" inlet/outlet universal stop valve. (clockwise off, for cross or lever handle)	\$195	—	—
	<b>1-607U</b>	3/4" inlet/outlet universal stop valve. (clockwise off, for cross or lever handle)	\$265	—	—

MUNCY - 3290, 3300



**1-617** 1/2" In-wall 2 & 3 way diverter valve  
1 inlet, 3 outlets.\*\*

\$279 — —

1/2" in-wall diverter valves\* with:



\*SEE PAGES 312-315  
FOR HOW TO USE  
THESE DIVERTERS.

<b>1-701</b>	3 function with off. 1 inlet, 3 outlets.**	\$334	—	—
<b>1-702</b>	5 function with share and off. 1 inlet, 3 outlets.	\$334	—	—
<b>1-703</b>	3 function with pause. 1 inlet, 3 outlets.**	\$334	—	—
<b>1-704</b>	2 function with off. 1 inlet, 2 outlets.**	\$334	—	—
<b>1-705</b>	3 function with share and off. 1 inlet, 2 outlets.	\$334	—	—
<b>1-706</b>	2 function with pause. 1 inlet, 2 outlets.**	\$334	—	—
<b>1-707</b>	3 function with share (no off). 1 inlet, 2 outlets.	\$334	—	—



**3290-1230** 18" Towel Bar

\$298 \$357 \$447

**3290-1250** 24" Towel Bar

\$331 \$400 \$499



**3290-1400** Towel Ring

\$321 \$384 \$458



**3290-1650** Single Robe Hook

\$110 \$133 \$166



**3290-1660** Double Robe Hook

\$163 \$193 \$242



**3290-1500** Double Post Toilet Tissue Holder,  
Pivoting Arm

\$262 \$316 \$375



3290-1570 Open Toilet Tissue Holder

\$222 \$262 \$312

**HOW TO ORDER:** **STEP 1: Select Decorative Rings and Mounting Kit**  
**STEP 2: Select Grab Bar Tube**



**STEP 1:** 990-2400 Decorative Rings and Mounting Kit

\$160 \$218 \$274

**STEP 2:** 5080 12" Grab Bar Tube  
 5081 16" Grab Bar Tube  
 5082 18" Grab Bar Tube  
 5083 24" Grab Bar Tube  
 5085 36" Grab Bar Tube

\$140 \$206 \$230 \$293 \$285 \$347 \$485



990-3942 42" Grab Bar

\$599 \$781 \$944

Sold as complete unit



MUNCY - 3290, 3300

# PARDEES

3230 | 3240



LAVATORY FAUCETS | TUB & SHOWER | ACCESSORIES | GRAB BARS



<b>3230</b>	Widespread Lavatory Faucet Lever Handles. 1/2" valves. Spout c-c 6.13". 8" centers.	<b>\$1,132</b>	<b>\$1,584</b>	<b>\$1,867</b>
-------------	--	----------------	----------------	----------------



<b>3240</b>	Widespread Lavatory Faucet Cross Handles. 1/2" valves. Spout c-c 6.13". 8" centers.	<b>\$1,132</b>	<b>\$1,584</b>	<b>\$1,867</b>
-------------	--	----------------	----------------	----------------



<b>3-3231</b>	Wall Mount Lavatory Faucet Lever Handles. Spout c-c 8.25". 8" centers. Drain not included. See Brasstech #330, 3301, 3302 and 3303. MUST ORDER VALVE SEPARATELY.	<b>\$855</b>	<b>\$1,196</b>	<b>\$1,494</b>
---------------	--	--------------	----------------	----------------

<b>1-532U</b>	2-valve rough with 1/2" NPT inlets & outlet.	<b>\$358</b>	—	—
---------------	--	--------------	---	---



<b>3-3241</b>	Wall Mount Lavatory Faucet Cross Handles. Spout c-c 8.25". 8" centers. Drain not included. See Brasstech #330, 3301, 3302 or 3303. MUST ORDER VALVE SEPARATELY.	<b>\$855</b>	<b>\$1,196</b>	<b>\$1,494</b>
---------------	---	--------------	----------------	----------------

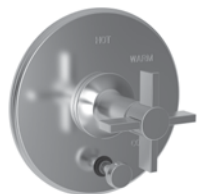
<b>1-532U</b>	2-valve rough with 1/2" NPT inlets & outlet.	<b>\$358</b>	—	—
---------------	--	--------------	---	---



<b>5-3232BP</b>	BP Tub & Shower Trim. Lever Handle. Less tub spout, showerhead, arm and flange. MUST ORDER VALVE SEPARATELY.	<b>\$759</b>	<b>\$1,062</b>	<b>\$1,191</b>
-----------------	--	--------------	----------------	----------------

<b>1-685</b>	Newport Brass BP Valve with diverter, 4 port with service stops, universal 1/2" NPT & direct sweat connections.	<b>\$384</b>	—	—
--------------	---	--------------	---	---









See Shower & Drain Sections to complete shower.



<b>5-3242BP</b>	BP Tub & Shower Trim. Cross Handle. Less tub spout, showerhead, arm and flange. MUST ORDER VALVE SEPARATELY.	<b>\$759</b>	<b>\$1,062</b>	<b>\$1,191</b>
-----------------	--	--------------	----------------	----------------

<b>1-685</b>	Newport Brass BP Valve with diverter, 4 port with service stops, universal 1/2" NPT & direct sweat connections.	<b>\$384</b>	—	—
--------------	---	--------------	---	---

See Shower & Drain Sections to complete shower.

	<b>4-3234BP</b>	BP Shower Trim. Lever Handle. Less showerhead, arm and flange. MUST ORDER VALVE SEPARATELY.	\$674	\$942	\$1,076
	<b>1-684</b>	Newport Brass BP Valve, 3 port with service stops, universal 1/2" NPT & direct sweat connections. <b>See Shower &amp; Drain Sections to complete shower.</b>	\$278	—	—
	<b>4-3244BP</b>	BP Shower Trim. Cross Handle. Less showerhead, arm and flange. MUST ORDER VALVE SEPARATELY..	\$674	\$942	\$1,076
	<b>1-684</b>	Newport Brass BP Valve, 3 port with service stops, universal 1/2" NPT & direct sweat connections. <b>See Shower &amp; Drain Sections to complete shower.</b>	\$278	—	—
	<b>3-641</b>	Tub Spout with Stream Straightener 1/2" NPT inleft fitting. 8.75" spout overall length.	\$363	\$491	\$564
	<b>3-3235</b>	Wall Mount Tub Faucet. Lever Handles. MUST ORDER VALVE SEPARATELY.	\$898	\$1,257	\$1,457
	<b>1-500U</b>	2-valve rough with 1/2" NPT inlets & outlet.	\$358	—	—
	<b>3-3245</b>	Wall Mount Tub Faucet. Cross Handles. MUST ORDER VALVE SEPARATELY.	\$898	\$1,257	\$1,457
	<b>1-500U</b>	2-valve rough with 1/2" NPT inlets & outlet.	\$358	—	—
	<b>3-3236</b>	Roman Tub Faucet Lever Handles. Spout c-c 8.25". MUST ORDER VALVE SEPARATELY.	\$1,339	\$1,874	\$2,153
	<b>1-697</b>	3/4" Valve for above. Quick connect included.	\$438	—	—
	<b>3-3246</b>	Roman Tub Faucet Cross Handles. Spout c-c 8.25". MUST ORDER VALVE SEPARATELY.	\$1,339	\$1,874	\$2,153
	<b>1-697</b>	3/4" Valve for above. Quick connect included.	\$438	—	—
	<b>3-3237</b>	Roman Tub Faucet with Handshower Lever Handles. Spout c-c 8.25". MUST ORDER VALVE SEPARATELY.	\$1,782	\$2,358	\$2,778
	<b>1-698</b>	3/4" valve for above. Includes hose and quick connect.	\$883	—	—

PARDEES - 3230, 3240





<b>3-3247</b>	Roman Tub Faucet with Handshower Cross Handles. Spout c-c 8.25". MUST ORDER VALVE SEPARATELY.	\$1,782	\$2,358	\$2,778
<b>1-698</b>	3/4" valve for above. Includes hose and quick connect.	\$883	—	—



<b>3239</b>	Bidet Set Lever Handles. 1/2" valves. Includes bottom spray with vacuum breaker, 4 hole mount bidet.	\$1,945	\$2,721	\$2,994
-------------	--	---------	---------	---------



<b>3249</b>	Bidet Set Cross Handles. 1/2" valves. Includes bottom spray with vacuum breaker, 4 hole mount bidet.	\$1,945	\$2,721	\$2,994
-------------	--	---------	---------	---------



<b>3-3233TR</b>	1/2" Thermostatic Trim Plate with Handles Integrated diverter handle with independent temperature control. MUST ORDER VALVE SEPARATELY.	\$827	\$1,159	\$1,335
-----------------	---	-------	---------	---------



<b>3-3243TR</b>	1/2" Thermostatic Trim Plate with Handles Integrated diverter handle with independent temperature control. MUST ORDER VALVE SEPARATELY.	\$827	\$1,159	\$1,335
-----------------	---	-------	---------	---------



1-741

<b>1-741</b>	1/2" Thermostatic Rough-in Valve 1-Port	\$524	—	—
<b>1-742</b>	1/2" Thermostatic Rough-in Valve 2-Port**	\$627	—	—
<b>1-743</b>	1/2" Thermostatic Rough-in Valve 3-Port - Shared	\$686	—	—
<b>1-744</b>	1/2" Thermostatic Rough-in Valve 3-Port**	\$686	—	—
<b>1-745</b>	1/2" Thermostatic Rough-in Valve 2-Port - Shared	\$627	—	—

See page 348 for more details.



<b>20-146</b>	1/2" Valve Trim Extension Kit Extends 1-3/8'. Please specify finish.	\$273	\$368	\$423
---------------	---	-------	-------	-------



<b>3-3234TR</b>	3/4" Thermostatic Trim Plate with Handle MUST ORDER VALVE SEPARATELY.	\$775	\$1,044	\$1,298
-----------------	--	-------	---------	---------



**3-3244TR** 3/4" Thermostatic Trim Plate with Handle  
MUST ORDER VALVE SEPARATELY. \$775 \$1,044 \$1,298



**1-540** 3/4" Thermostatic Rough-in Valve  
Flow rate of 18 gallons per minute at 60 PSI.  
Factory calibrated comfort setting at 100-deg F,  
built-in check valves with service stops.  
IAPMO Listed. Meets ASSE Standard 1016.  
\$794 — —  
MUST USE WITH SEPARATE STOP/VOLUME CONTROL



**2-260** 3/4" Valve trim extension kit  
Extends 1-3/8". Please specify finish. \$190 \$259 \$311



**3-644** Diverter/Flow Control Trim  
Use with stop or diverter valves, see page 355. \$241 \$338 \$421



**3-645** Diverter/Flow Control Trim  
Use with stop or diverter valves, see page 355. \$241 \$338 \$421



**1-606U** 1/2" inlet/outlet universal stop valve.  
(clockwise off, for cross or lever handle) \$195 — —

**1-607U** 3/4" inlet/outlet universal stop valve.  
(clockwise off, for cross or lever handle) \$265 — —



**1-617** 1/2" In-wall 2 & 3 way diverter valve  
1 inlet, 3 outlets.\*\* \$279 — —



1/2" in-wall diverter valves\* with:  
**1-701** 3 function with off. 1 inlet, 3 outlets.\*\* \$334 — —  
**1-702** 5 function with share and off. 1 inlet, 3 outlets. \$334 — —  
**1-703** 3 function with pause. 1 inlet, 3 outlets.\*\* \$334 — —

\*SEE PAGES 312-315  
FOR HOW TO USE  
THESE DIVERTERS.

\*\*Cal Green compliant

PARDEES - 3230, 3240



\*SEE PAGES 312-315 FOR HOW TO USE THESE DIVERTERS.

1/2" in-wall diverter valves\* with:

<b>1-704</b>	2 function with off. 1 inlet, 2 outlets. **	\$334	—	—
<b>1-705</b>	3 function with share and off. 1 inlet, 2 outlets.	\$334	—	—
<b>1-706</b>	2 function with pause. 1 inlet, 2 outlets. **	\$334	—	—
<b>1-707</b>	3 function with share (no off). 1 inlet, 2 outlets.	\$334	—	—



<b>3230-1230</b>	18" Towel Bar	\$298	\$357	\$447
<b>3230-1250</b>	24" Towel Bar	\$331	\$400	\$499



<b>3230-1410</b>	Towel Ring	\$227	\$273	\$340
------------------	------------	-------	-------	-------



<b>3230-1650</b>	Single Robe Hook	\$185	\$250	\$313
------------------	------------------	-------	-------	-------



<b>3230-1660</b>	Double Robe Hook	\$210	\$276	\$337
------------------	------------------	-------	-------	-------



<b>3230-1510</b>	Hanging Toilet Tissue Holder	\$225	\$271	\$305
------------------	------------------------------	-------	-------	-------



<b>3230-1530</b>	Double Post Toilet Tissue Holder	\$309	\$374	\$436
------------------	----------------------------------	-------	-------	-------



**HOW TO ORDER:** **STEP 1:** Select Decorative Rings and Mounting Kit  
**STEP 2:** Select Grab Bar Tube



**STEP 1:** 990-2400 Decorative Rings and Mounting Kit \$160 \$218 \$274

**STEP 2:**

5080	12" Grab Bar Tube	\$140	\$206	\$230
5081	16" Grab Bar Tube	\$166	\$233	\$293
5082	18" Grab Bar Tube	\$187	\$260	\$285
5083	24" Grab Bar Tube	\$224	\$301	\$347
5085	36" Grab Bar Tube	\$330	\$410	\$485



990-3942 42" Grab Bar \$599 \$781 \$944

Sold as complete unit



PARDEES - 3230, 3240

# PAVANI

3100 | 3110



LAVATORY FAUCETS | TUB & SHOWER | ACCESSORIES | GRAB BARS



**3100**

Widespread Lavatory Faucet  
1/2" valves. 8" centers.  
Spout c-c 5.54".

\$1,052    \$1,421    \$1,631



**3110**

Widespread Lavatory Faucet  
1/2" valves. 8" centers.  
Spout c-c 5.74".

\$942    \$1,276    \$1,517

**NEW**



**3103**

Single Hole Lavatory Faucet  
6.76" spout height at outlet.  
5.5" spout reach (c-c).  
10.08" overall height.  
Includes pop-up assembly.

\$894    \$1,205    \$1,383



**101**

Cover Plate, Optional  
6" x 2-1/2".

\$99    \$142    \$152



**3-3101**

Wall Mount Lavatory Faucet  
Spout c-c 7.11". 8" centers.  
Drain not included. See Brasstech  
#330, 3301, 3302 or 3303.  
**MUST ORDER VALVE SEPARATELY.**

\$739    \$905    \$1,038

**1-532U**

2-valve rough with 1/2" NPT inlets & outlet.

\$358    —    —



**3-3102BP**

BP Tub & Shower Set  
**MUST ORDER VALVE SEPARATELY.**

\$1,138    \$1,477    \$1,700



**1-685**

Newport Brass BP Valve with diverter, 4 port with  
service stops, universal 1/2" NPT & direct sweat  
connections.

\$384    —    —

	<b>5-3102BP</b>	BP Tub & Shower Trim Less tub spout, showerhead, arm and flange. MUST ORDER VALVE SEPARATELY.	\$602	\$784	\$902
	<b>1-685</b>	Newport Brass BP Valve with diverter, 4 port with service stops, universal 1/2" NPT & direct sweat connections. <b>See Shower &amp; Drain Sections to complete shower.</b>	\$384	—	—
	<b>3-3104BP</b>	BP Shower Set MUST ORDER VALVE SEPARATELY.	\$883	\$1,149	\$1,321
	<b>1-684</b>	Newport Brass BP Valve, 3 port with service stops, universal 1/2" NPT & direct sweat connections.	\$278	—	—
	<b>4-3104BP</b>	BP Shower Trim Less showerhead, arm and flange. MUST ORDER VALVE SEPARATELY.	\$513	\$668	\$768
	<b>1-684</b>	Newport Brass BP Valve, 3 port with service stops, universal 1/2" NPT & direct sweat connections. <b>See Shower &amp; Drain Sections to complete shower.</b>	\$278	—	—
	<b>3-419</b>	Tub Spout 1/2" NPT inlet fitting. 9.15" spout overall length	\$246	\$334	\$381
	<b>3-615</b>	Tub Spout 1/2" NPT inlet fitting. 11.15" spout overall length.	\$303	\$412	\$470
	<b>3-3105</b>	Wall Mount Tub Faucet Spout c-c 8-1/4". MUST ORDER VALVES SEPARATELY.	\$712	\$925	\$1,064
	<b>1-500U</b>	2-valve rough with 1/2" NPT inlets & outlet.	\$358	—	—
	<b>3-3106</b>	Roman Tub Faucet Spout c-c 7.92". MUST ORDER VALVES SEPARATELY.	\$1,010	\$1,315	\$1,509
	<b>1-697</b>	3/4" valve for above. Includes quick connect.	\$438	—	—
	<b>3-3107</b>	Roman Tub Faucet with Handshower Spout c-c 7.92". MUST ORDER VALVES SEPARATELY.	\$1,344	\$1,745	\$2,009
	<b>1-698</b>	3/4" valve for above. Includes hose & quick connect.	\$883	—	—

PAVANI - 3100



**3109** Bidet Set  
1/2" valves. Includes bottom spray with vacuum breaker, 4 hole mount bidet.

\$1,437 \$1,867 \$2,147



**3-3103TR** 1/2" Thermostatic Trim Plate with Handles  
Integrated diverter handle with independent temperature control.

\$649 \$868 \$996

MUST ORDER VALVE SEPARATELY.



1-741

**1-741** 1/2" Thermostatic Rough-in Valve 1-Port \$524  
**1-742** 1/2" Thermostatic Rough-in Valve 2-Port\*\* \$627  
**1-743** 1/2" Thermostatic Rough-in Valve 3-Port - Shared \$686  
**1-744** 1/2" Thermostatic Rough-in Valve 3-Port\*\* \$686  
**1-745** 1/2" Thermostatic Rough-in Valve 2-Port - Shared \$627

\$524 — —  
 \$627 — —  
 \$686 — —  
 \$686 — —  
 \$627 — —

See page 348 for more details.



**20-146** 1/2" Valve Trim Extension Kit  
Extends 1-3/8". Please specify finish.

\$273 \$368 \$423



**3-994LTR** 3/4" Thermostatic Trim Plate with Handle  
MUST ORDER VALVES SEPARATELY.

\$480 \$624 \$719



**1-540** 3/4" Thermostatic Rough-in Valve  
Flow rate of 18 gallons per minute at 60 PSI.  
Factory calibrated comfort setting at 100-deg F,  
built-in check valves with service stops.  
IAPMO Listed. Meets ASSE Standard 1016.

\$794 — —

MUST USE WITH SEPARATE STOP/VOLUME CONTROL



**2-260** 3/4" Valve trim extension kit  
Extends 1-3/8". Please specify finish.

\$190 \$259 \$311



**3-549** Diverter/Flow Control Trim  
Use with stop or diverter valves, see page 355.

\$238 \$324 \$368



**1-606U** 1/2" inlet/outlet universal stop valve.  
(clockwise off, for cross or lever handle)

\$195 — —

**1-607U** 3/4" inlet/outlet universal stop valve.  
(clockwise off, for cross or lever handle)

\$265 — —



**1-617** 1/2" In-wall 2 & 3 way diverter valve  
1 inlet, 3 outlets.\*\*

\$279 — —



\*SEE PAGES 312-315  
FOR HOW TO USE  
THESE DIVERTERS.

1/2" in-wall diverter valves\* with:

**1-701** 3 function with off. 1 inlet, 3 outlets.\*\*

\$334 — —

**1-702** 5 function with share and off. 1 inlet, 3 outlets.

\$334 — —

**1-703** 3 function with pause. 1 inlet, 3 outlets.\*\*

\$334 — —

**1-704** 2 function with off. 1 inlet, 2 outlets.\*\*

\$334 — —

**1-705** 3 function with share and off. 1 inlet, 2 outlets.

\$334 — —

**1-706** 2 function with pause. 1 inlet, 2 outlets.\*\*

\$334 — —

**1-707** 3 function with share (no off). 1 inlet, 2 outlets.

\$334 — —



**36-01** 18" Towel Bar

\$221 \$265 \$314

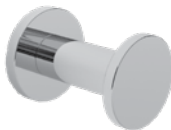
**36-02** 24" Towel Bar

\$261 \$312 \$373



**36-09** Towel Ring

\$308 \$369 \$440



**36-12** Single Robe Hook

\$84 \$104 \$129



**36-13** Double Robe Hook

\$156 \$181 \$223



**36-27** Open Toilet Tissue Holder

\$214 \$252 \$300



**36-28** Double Post Toilet Tissue Holder  
Pivoting Arm

\$248 \$311 \$353

**HOW TO ORDER:** **STEP 1:** Select Decorative Rings and Mounting Kit  
**STEP 2:** Select Grab Bar Tube



**STEP 1:** 2480-2400 Decorative Rings and Mounting Kit

\$206 \$230 \$282

**STEP 2:**  
 5080SQ 12" Grab Bar Tube  
 5081SQ 16" Grab Bar Tube  
 5082SQ 18" Grab Bar Tube  
 5083SQ 24" Grab Bar Tube  
 5085SQ 36" Grab Bar Tube

\$181 \$215 \$250  
 \$221 \$297 \$350  
 \$244 \$299 \$365  
 \$283 \$340 \$402  
 \$369 \$462 \$533



**2480-3942** 42" Grab Bar

\$691 \$933 \$1,074

Sold as complete unit





Available Finishes:		PC	MB PN, SN
<b>4622-24</b>	24" Double Towel Bar	\$389	\$469




Available Finishes:		PC	MB PN, SN
<b>4607</b>	Spare Toilet Tissue Holder	\$199	\$237



Available Finishes:		PC	MB PN, SN
<b>4609</b>	Double Open Toilet Tissue Holder	\$223	\$281



Available Finishes:		PC	MB PN, SN
<b>4627</b>	Double Toilet Tissue Holder with Cover	\$327	\$409




Available Finishes:		PC	MB PN, SN
<b>4610T</b>	Triple Pivoting Robe Hook	\$221	\$254




Available Finishes:		PC	MB PN, SN
<b>4619T-12</b>	12" Shelf with Towel Bar	\$408	\$511



Available Finishes:		PC	MB PN, SN
<b>4619T-24</b>	24" Shelf with Towel Bar	\$439	\$527



Available Finishes:		PC	MB PN, SN
<b>4634T</b>	24" Shelf	\$300	\$363




IMPORTANT: Order (1) Mounting Kit plus (1) Frame to make a complete unit.

Available Finishes:		PC	MB PN, SN
<b>464B</b>	Hotel Shelf Mounting Kit	\$128	\$155
<b>XX43-20</b>	20" Hotel Shelf Frame with Towel Bar	\$306	\$366
<b>XX43-24</b>	24" Hotel Shelf Frame with Towel Bar	\$326	\$387




IMPORTANT: Order (1) Mounting Kit plus (1) Frame to make a complete unit.


Available Finishes:		PC	MB PN, SN
<b>464B</b>	Hotel Shelf Mounting Kit	\$128	\$155
<b>XX43S-20</b>	20" Hotel Shelf Frame w/Towel Bar, Squared Corners	\$384	\$463
<b>XX43S-24</b>	24" Hotel Shelf Frame w/Towel Bar, Squared Corners	\$415	\$497



Available Finishes:		PC	MB PN, SN
<b>4681</b>	Single Light 3.6" $\phi$ Rosette	\$466	\$561
<b>4681L</b>	Single Light 4.6" $\phi$ Rosette	\$483	\$580



Available Finishes:		PC	MB PN, SN
<b>4682</b>	Double Light, 3.6" $\phi$ Rosette	\$532	\$638
<b>4682L</b>	Double Light, 4.6" $\phi$ Rosette	\$549	\$662



Available Finishes:		NO FINISH
<b>4641N</b>	16"x34" Overall Frameless Mirror	\$412



# PRIYA

## 2480



LAVATORY FAUCETS | TUB & SHOWER | ACCESSORIES | GRAB BARS



**2480** Widespread Lavatory Faucet  
1/2" valves. 8" centers.  
Spout c-c 5.54".

\$949    \$1,219    \$1,398



**2403** Single Hole Lavatory Faucet  
5.50" (14.0cm) spout reach c-c.  
6.66" (16.9cm) spout height from  
outlet Includes pop-up assembly.

\$844    \$1,143    \$1,315

**101** Cover Plate, Optional  
6" x 2.5".

\$99    \$142    \$152



**2413** Single Hole Vessel Faucet  
6.25" (15.9cm) spout reach (c-c). 10.66"  
(27.1cm) spout height from base. 13.99" overall  
height. Drain not included, see Brasstech  
# 330, 3301, 3302 or 3303.  
For bar sink drains see Brasstech # 130 or 131.

\$923    \$1,244    \$1,429

**101** Cover Plate, Optional  
6" x 2.5".

\$99    \$142    \$152



**3-2481** Wall Mount Lavatory Faucet  
Spout c-c 7.11". 8" centers.  
Drain not included. See Brasstech  
#330, 3301, 3302 or 3303.  
**MUST ORDER VALVES SEPARATELY.**

\$692    \$932    \$1,069

**1-532U** 2-valve rough with 1/2" NPT inlets & outlet.

\$358    —    —



**5-2492BP** BP Tub & Shower Trim  
Less tub spout, showerhead, arm and flange.  
**MUST ORDER VALVE SEPARATELY.**

\$593    \$770    \$887

**1-685** Newport Brass BP Valve with diverter, 4 port with  
service stops, universal 1/2" NPT & direct sweat  
connections.

\$384    —    —

**See Shower & Drain Sections to complete shower.**



**3-2494BP** BP Shower Set  
**MUST ORDER VALVE SEPARATELY.**

\$961    \$1,263    \$1,485

**1-684** Newport Brass BP Valve, 3 port with service stops,  
universal 1/2" NPT & direct sweat connections.

\$278    —    —





**4-2494BP** BP Shower Trim  
Less showerhead, arm and flange.  
MUST ORDER VALVE SEPARATELY.

\$500 \$675 \$775

**1-684** Newport Brass BP Valve, 3 port with service stops,  
universal 1/2" NPT & direct sweat connections.  
**See Shower & Drain Sections to complete shower.**

\$278 — —



**3-419** Tub Spout  
1/2" NPT inlet fitting.  
9.15" spout overall length

\$246 \$334 \$381



**3-615** Tub Spout  
1/2" NPT inlet fitting.  
11.15" spout overall length.

\$303 \$412 \$470



**3-2485** Wall Mount Tub Faucet  
Spout c-c 8.25".  
MUST ORDER VALVES SEPARATELY.

\$692 \$932 \$1,069

**1-500U** 2-valve rough with 1/2" NPT inlets & outlet.

\$358 — —



**3-2486** Roman Tub Faucet  
Spout c-c 7.92".  
MUST ORDER VALVES SEPARATELY.

\$1,002 \$1,347 \$1,546

**1-697** 3/4" valve for above.  
Quick connect included.

\$438 — —



**3-2487** Roman Tub Faucet with Handshower  
Spout c-c 7.92".  
MUST ORDER VALVES SEPARATELY.

\$1,361 \$1,833 \$2,103

**1-698** 3/4" valve for above.  
Quick connect included.

\$883 — —



**2480-4261** Free Standing Tub Filler  
38.03" (96.6cm) spout height at outlet (from floor).  
8.66" (22.0cm) spout reach (c-c).  
43" overall height.  
9.25 gallons (35 liters) per minute maximum flow rate (spout).  
1.8 gallons (6.8 liters) per minute maximum flow rate (hand shower).

\$2,276 \$2,883 \$3,738

SEE PAGE 322



**1-339** Optional Rough for Freestanding Tub Filler  
For subfloor and concrete floor installations.  
4.53" overall height.  
7.20" overall base diameter.  
Universal 3/4" NPT and 1/2" direct sweat connections.  
Test caps included.

\$323 — —

PRIYA - 2480



**2489** Bidet Set  
1/2" valves. Includes bottom spray with vacuum breaker, 4 hole mount bidet.

\$1,434 \$1,936 \$2,224



**280R** Hand Shower Set  
Includes:  
No. 283-101 Single Function Handshower Round  
No. 284 Braided Hose  
No. 3-672 Supply Elbow & Holder

\$588 \$767 \$917



**3-2023TR** 1/2" Thermostatic Trim Plate with Handles  
Integrated diverter handle with independent temperature control.  
MUST ORDER VALVE SEPARATELY.

\$628 \$834 \$960



1-741

**1-741** 1/2" Thermostatic Rough-in Valve 1-Port \$524 — —  
**1-742** 1/2" Thermostatic Rough-in Valve 2-Port\*\* \$627 — —  
**1-743** 1/2" Thermostatic Rough-in Valve 3-Port - Shared \$686 — —  
**1-744** 1/2" Thermostatic Rough-in Valve 3-Port\*\* \$686 — —  
**1-745** 1/2" Thermostatic Rough-in Valve 2-Port - Shared \$627 — —  
 See page 348 for more details.



**20-146** 1/2" Valve Trim Extension Kit  
Extends 1-3/8". Please specify finish.

\$273 \$368 \$423



**3-2484TR** 3/4" Thermostatic Trim Plate with Handle  
MUST ORDER VALVE SEPARATELY.

\$769 \$1,035 \$1,188



**1-540** 3/4" Thermostatic Rough-in Valve  
Flow rate of 18 gallons per minute at 60 PSI.  
Factory calibrated comfort setting at 100-deg F,  
built-in check valves with service stops.  
IAPMO Listed. Meets ASSE Standard 1016.  
MUST USE WITH SEPARATE STOP/VOLUME CONTROL

\$794 — —



**2-260** 3/4" Valve trim extension kit  
Extends 1-3/8". Please specify finish.

\$190 \$259 \$311



**3-608** Diverter/Flow Control Trim \$228 \$308 \$356  
Use with stop or diverter valves, see pages 355.



**1-606U** 1/2" inlet/outlet universal stop valve. (clockwise off, for cross or lever handle) \$195 — —  
**1-607U** 3/4" inlet/outlet universal stop valve. (clockwise off, for cross or lever handle) \$265 — —



**1-617** 1/2" In-wall 2 & 3 way diverter valve 1 inlet, 3 outlets.\*\* \$279 — —

1/2" in-wall diverter valves\* with:



\*SEE PAGES 312-315 FOR HOW TO USE THESE DIVERTERS.

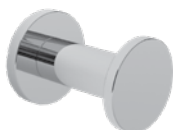
**1-701** 3 function with off. 1 inlet, 3 outlets.\*\* \$334 — —  
**1-702** 5 function with share and off. 1 inlet, 3 outlets. \$334 — —  
**1-703** 3 function with pause. 1 inlet, 3 outlets.\*\* \$334 — —  
**1-704** 2 function with off. 1 inlet, 2 outlets.\*\* \$334 — —  
**1-705** 3 function with share and off. 1 inlet, 2 outlets. \$334 — —  
**1-706** 2 function with pause. 1 inlet, 2 outlets.\*\* \$334 — —  
**1-707** 3 function with share (no off). 1 inlet, 2 outlets. \$334 — —



**36-01** 18" Towel Bar \$221 \$265 \$314  
**36-02** 24" Towel Bar \$261 \$312 \$373



**36-09** Towel Ring \$308 \$369 \$440



**36-12** Single Robe Hook \$84 \$104 \$129

PRIYA - 2480



**36-13** Double Robe Hook \$156 \$181 \$223



**36-27** Open Toilet Tissue Holder \$214 \$252 \$300



**36-28** Double Post Toilet Tissue Holder Pivoting Arm \$248 \$311 \$353

**HOW TO ORDER:** **STEP 1:** Select Decorative Rings and Mounting Kit  
**STEP 2:** Select Grab Bar Tube



**STEP 1:** **2480-2400** Decorative Rings and Mounting Kit \$206 \$230 \$282

**STEP 2:**

<b>5080SQ</b>	12" Grab Bar Tube	\$181	\$215	\$250
<b>5081SQ</b>	16" Grab Bar Tube	\$221	\$297	\$350
<b>5082SQ</b>	18" Grab Bar Tube	\$244	\$299	\$365
<b>5083SQ</b>	24" Grab Bar Tube	\$283	\$340	\$402
<b>5085SQ</b>	36" Grab Bar Tube	\$369	\$462	\$533



**2480-3942** 42" Grab Bar \$691 \$933 \$1,074

Sold as complete unit





Available Finishes:		PC	MB PN, SN
<b>4622-24</b>	24" Double Towel Bar	\$389	\$469




Available Finishes:		PC	MB PN, SN
<b>4607</b>	Spare Toilet Tissue Holder	\$199	\$237



Available Finishes:		PC	MB PN, SN
<b>4609</b>	Double Open Toilet Tissue Holder	\$223	\$281



Available Finishes:		PC	MB PN, SN
<b>4627</b>	Double Toilet Tissue Tissue Holder with Cover	\$327	\$409




Available Finishes:		PC	MB PN, SN
<b>4610T</b>	Triple Pivoting Robe Hook	\$221	\$254




Available Finishes:		PC	MB PN, SN
<b>4619T-12</b>	12" Shelf with Towel Bar	\$408	\$511



Available Finishes:		PC	MB PN, SN
<b>4619T-24</b>	24" Shelf with Towel Bar	\$439	\$527




Available Finishes:		PC	MB PN, SN
<b>4634T</b>	24" Shelf	\$300	\$363




IMPORTANT: Order (1) Mounting Kit plus (1) Frame to make a complete unit.

Available Finishes:		PC	MB PN, SN
<b>464B</b>	Hotel Shelf Mounting Kit	\$128	\$155
<b>XX43-20</b>	20" Hotel Shelf Frame with Towel Bar	\$306	\$366
<b>XX43-24</b>	24" Hotel Shelf Frame with Towel Bar	\$326	\$387




IMPORTANT: Order (1) Mounting Kit plus (1) Frame to make a complete unit.


Available Finishes:		PC	MB PN, SN
<b>464B</b>	Hotel Shelf Mounting Kit	\$128	\$155
<b>XX43S-20</b>	20" Hotel Shelf Frame w/Towel Bar, Squared Corners	\$384	\$463
<b>XX43S-24</b>	24" Hotel Shelf Frame w/Towel Bar, Squared Corners	\$415	\$497



Available Finishes:		PC	MB PN, SN
<b>4681</b>	Single Light 3.6" $\phi$ Rosette	\$466	\$561
<b>4681L</b>	Single Light 4.6" $\phi$ Rosette	\$483	\$580



Available Finishes:		PC	MB PN, SN
<b>4682</b>	Double Light, 3.6" $\phi$ Rosette	\$532	\$638
<b>4682L</b>	Double Light, 4.6" $\phi$ Rosette	\$549	\$662



Available Finishes:		NO FINISH
<b>4641N</b>	16"x34" Overall Frameless Mirror	\$412

# SEAPORT

850



LAVATORY FAUCETS | TUB & SHOWER | TANK LEVER | ACCESSORIES | GRAB BARS



850

Widespread Lavatory Faucet  
1/2" valves. Spout c-c 4.75".  
8" centers.

\$878 \$1,232 \$1,474



850C

Widespread Lavatory Faucet  
1/2" valves. Spout c-c 6.12".  
8" centers.

\$878 \$1,232 \$1,474



5-852BP

BP Tub & Shower Trim  
Less tub spout, showerhead, arm and flange.  
MUST ORDER VALVE SEPARATELY.

\$410 \$532 \$613



1-685

Newport Brass BP Valve with diverter, 4 port with  
service stops, universal 1/2" NPT & direct sweat  
connections.

\$384 — —

See Shower & Drain Sections to complete shower.



4-854BP

BP Shower Trim  
Less showerhead, arm and flange.  
MUST ORDER VALVE SEPARATELY.

\$318 \$413 \$480



1-684

Newport Brass BP Valve, 3 port with service stops,  
universal 1/2" NPT & direct sweat connections.

\$278 — —

See Shower & Drain Sections to complete shower.



2201

Tub Spout  
1/2" NPT inlet fitting.  
6.71" spout overall length.

\$217 \$301 \$358



3-855

Wall Mount Tub Faucet  
MUST ORDER VALVES SEPARATELY.

\$761 \$990 \$1,142



1-500U

2-valve rough with 1/2" NPT inlets & outlet.

\$358 — —



**3-856C** Roman Tub Faucet  
Spout c-c 9.44".  
MUST ORDER VALVES SEPARATELY.

\$960 \$1,279 \$1,440

**1-506** 3/4" valve for above, quick connect included. \$438 — —



**3-857C** Roman Tub Faucet with Handshower Set  
Spout c-c 9.44".  
MUST ORDER VALVES SEPARATELY.

\$1,319 \$1,718 \$1,975

**1-507** 3/4" valve for above. \$883 — —  
Includes hose and quick connect.



**3-196** Floor Mount Kit for Exposed Tub Sets  
Set includes: 2 each Floor Flanges  
2 each 3/4" Risers - 31" high.  
Stabilizer kit sold separately.

\$637 \$888 \$1,066

**3-226** Same as above only 24" high. \$612 \$855 \$1,029

**3-192** 3/4" Shut-off Valves for above (1 pair hot & cold). \$896 \$1,065 \$1,278



**1-378** Optional Rough For Exposed Tub Filler  
For subfloor or concrete floor installations.  
3.65" overall height.  
10.38" x 5" overall base size.  
Universal 1/2" NPT connections. Test caps included.  
For use with 3-196 or 3-226 tub risers.

\$440 — —



**2-734** Stabilizer Kit for Exposed Tub Floor Riser Kits  
Adjustable for risers that are 6" to 9" apart.  
Includes 1-1/2" finished ring for connecting kit to  
tub overflow pipe. Finished plate for wall mounting  
up to 10" center of riser pipes.

\$314 \$406 \$435

Wall Mount Plate



**3-803TR** 1/2" Thermostatic Trim Plate with Handles  
Integrated diverter handle with independent  
temperature control.

\$587 \$789 \$905

MUST ORDER VALVE SEPARATELY.



1-741

**1-741** 1/2" Thermostatic Rough-in Valve 1-Port \$524 — —

**1-742** 1/2" Thermostatic Rough-in Valve 2-Port\*\* \$627 — —

**1-743** 1/2" Thermostatic Rough-in Valve 3-Port - Shared \$686 — —

**1-744** 1/2" Thermostatic Rough-in Valve 3-Port\*\* \$686 — —

**1-745** 1/2" Thermostatic Rough-in Valve 2-Port - Shared \$627 — —

See page 348 for more details.



**20-146** 1/2" Valve Trim Extension Kit  
Extends 1-3/8". Please specify finish.

\$273 \$368 \$423

SEAPORT - 850



**3-804TR** 3/4" Thermostatic Trim Plate with Handle  
MUST ORDER VALVE SEPARATELY. \$480 \$624 \$719



**1-540** 3/4" Thermostatic Rough-in Valve  
Flow rate of 18 gallons per minute at 60 PSI.  
Factory calibrated comfort setting at 100-deg F,  
built-in check valves with service stops.  
IAPMO Listed. Meets ASSE Standard 1016.  
MUST USE WITH SEPARATE STOP/VOLUME CONTROL \$794 — —



**2-260** 3/4" Valve trim extension kit  
Extends 1-3/8". Please specify finish. \$190 \$259 \$311



**3-202** Diverter/Flow Control Trim  
Use with stop or diverter valves, see page 355. \$216 \$303 \$363



**1-606U** 1/2" inlet/outlet universal stop valve.  
(clockwise off, for cross or lever handle) \$195 — —

**1-607U** 3/4" inlet/outlet universal stop valve.  
(clockwise off, for cross or lever handle) \$265 — —



**1-617** 1/2" In-wall 2 & 3 way diverter valve  
1 inlet, 3 outlets.\*\* \$279 — —

1/2" in-wall diverter valves\* with:



**1-701** 3 function with off. 1 inlet, 3 outlets.\*\* \$334 — —

**1-702** 5 function with share and off. 1 inlet, 3 outlets. \$334 — —

**1-703** 3 function with pause. 1 inlet, 3 outlets.\*\* \$334 — —

**1-704** 2 function with off. 1 inlet, 2 outlets.\*\* \$334 — —

**1-705** 3 function with share and off. 1 inlet, 2 outlets. \$334 — —

**1-706** 2 function with pause. 1 inlet, 2 outlets.\*\* \$334 — —

**1-707** 3 function with share (no off). 1 inlet, 2 outlets. \$334 — —

\*SEE PAGES 312-315  
FOR HOW TO USE  
THESE DIVERTERS.





**2-116** Tank Lever for Seaport Series

\$80 \$109 \$187

**6-505** Tank Lever Mechanism

\$115 \$139 \$155



**890-1230** 18" Towel Bar

\$208 \$253 \$304

**890-1250** 24" Towel Bar

\$227 \$269 \$324



**890-1400** Towel Ring - Open

\$192 \$230 \$277



**890-1410** Towel Ring

\$154 \$185 \$222



**890-1650** Single Robe Hook

\$68 \$83 \$99



**890-1660** Double Robe Hook

\$138 \$166 \$199



**890-1510** Hanging Toilet Tissue Holder

\$192 \$230 \$277



**890-1500** Double Post Toilet Tissue Holder

\$204 \$248 \$297

SEAPORT - 850

**HOW TO ORDER:** **STEP 1: Select Decorative Rings and Mounting Kit**  
**STEP 2: Select Grab Bar Tube**



**STEP 1:** 920-2400 Decorative Rings and Mounting Kit \$160 \$218 \$274


**STEP 2:** 5080 12" Grab Bar Tube \$140 \$206 \$230  
 5081 16" Grab Bar Tube \$166 \$233 \$293  
 5082 18" Grab Bar Tube \$187 \$260 \$285  
 5083 24" Grab Bar Tube \$224 \$301 \$347  
 5085 36" Grab Bar Tube \$330 \$410 \$485



Sold as complete unit

920-3942 42" Grab Bar \$599 \$781 \$944





Available Finishes:		PC	PN	SN
<b>1101</b>	12" Towel Bar	\$197	\$233	
<b>G1104</b>	32" Towel Bar	\$260	\$312	



Available Finishes:		PC	PN	SN
<b>1122-18</b>	18" Double Towel Bar	\$419	\$501	
<b>1122-24</b>	24" Double Towel Bar	\$451	\$541	
<b>1122-32</b>	32" Double Towel Bar	\$454	NA	



Available Finishes:		PC	PN	SN
<b>1107</b>	Spare Toilet Tissue Holder	\$183	\$221	



Available Finishes:		PC	PN	SN
<b>1108D</b>	Double Post Tissue Holder	\$348	\$420	



Available Finishes:		PC	PN	SN
<b>1127</b>	Hooded Toilet Tissue Holder	\$219	\$262	



Available Finishes:		PC	PN	SN
<b>1118T-18</b>	18" Shelf	\$322	\$385	




Available Finishes:		PC	PN	SN
<b>1135T-18</b>	18" Gallery Shelf	\$441	\$528	
<b>1135T-24</b>	24" Gallery Shelf	\$498	NA	



IMPORTANT: Order (1) Mounting Kit plus (1) Frame to make a complete unit.

Available Finishes:		PC	PN	SN
<b>114B</b>	Hotel Shelf Mounting Kit	\$137	\$164	
<b>XX43-20</b>	20" Hotel Shelf Frame with Towel Bar	\$306	\$366	
<b>XX43-24</b>	24" Hotel Shelf Frame with Towel Bar	\$326	\$387	



IMPORTANT: Order (1) Mounting Kit plus (1) Frame to make a complete unit.


Available Finishes:		PC	PN	SN
<b>114B</b>	Hotel Shelf Mounting Kit	\$137	\$164	
<b>XX43S-20</b>	20" Hotel Shelf Frame with Towel Bar, Squared Corners	\$384	\$463	
<b>XX43S-24</b>	24" Hotel Shelf Frame with Towel Bar, Squared Corners	\$415	\$497	



Available Finishes:		PC	PN	SN
<b>1181</b>	Single Light with Nightlight Option, Satin Etched Glass	\$429	\$513	



Available Finishes:		PC	PN	SN
<b>1182</b>	Double Light Satin Etched Glass	\$655	\$765	

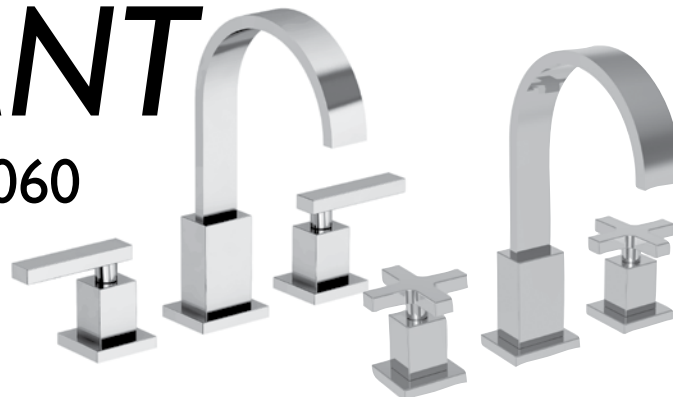


\*\*Mirror tilts 4.5° with mechanism.

Available Finishes:		PC	PN	SN
<b>1141</b>	Framed Mirror 20.39" x 35" overall	\$748	\$859	
<b>MTM-009</b>	Tilting Mechanism Optional**	\$88	\$88	

# SECANT

2040 | 2060



LAVATORY FAUCETS | TUB & SHOWER | ACCESSORIES | GRAB BARS



**2040** Widespread Lavatory Faucet  
Lever Handles. 1/2" valves.  
Spout c-c 5.81". 8" centers. \$1,049 \$1,404 \$1,613



**2060** Widespread Lavatory Faucet  
Cross Handles. 1/2" valves.  
Spout c-c 5.81". 8" centers. \$1,049 \$1,404 \$1,613

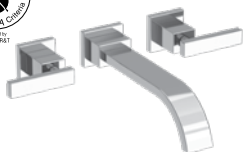


**2043** Single Hole Lavatory Faucet  
7.40" spout height at outlet.  
6.38" spout reach (c-c).  
11.50" overall height.  
Includes pop-up assembly. \$1,092 \$1,473 \$1,691

**NEW**

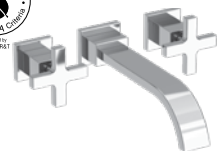


**2043-1** Single Hole Lavatory Faucet  
6.84" spout height at outlet.  
5.43" spout reach (c-c).  
9.70" overall height.  
Includes pop-up assembly. \$923 \$1,232 \$1,475



**3-2041** Wall Mount Lavatory Faucet  
Lever Handles. Spout c-c 9.40".  
8" centers. Drain not included. See  
Brasstech #330, 3301, 3302 or 3303.  
MUST ORDER VALVES SEPARATELY. \$798 \$1,078 \$1,237

**1-532U** 2-valve rough with 1/2" NPT inlets & outlet. \$358 — —



**3-2061** Wall Mount Lavatory Faucet  
Cross Handles. Spout c-c 9.40".  
8" centers. Drain not included. See  
Brasstech #330, 3301, 3302 or 3303.  
MUST ORDER VALVES SEPARATELY. \$798 \$1,078 \$1,237

**1-532U** 2-valve rough with 1/2" NPT inlets & outlet. \$358 — —

	<b>5-2042BP</b>	BP Tub & Shower Trim Less tub spout, showerhead, arm and flange. MUST ORDER VALVE SEPARATELY.	\$611	\$794	\$916
	<b>1-685</b>	Newport Brass BP Valve with diverter, 4 port with service stops, universal 1/2" NPT & direct sweat connections. <b>See Shower &amp; Drain Sections to complete shower.</b>	\$384	—	—
	<b>5-2062BP</b>	BP Tub & Shower Trim Less tub spout, showerhead, arm and flange. MUST ORDER VALVE SEPARATELY.	\$611	\$794	\$916
	<b>1-685</b>	Newport Brass BP Valve with diverter, 4 port with service stops, universal 1/2" NPT & direct sweat connections. <b>See Shower &amp; Drain Sections to complete shower.</b>	\$384	—	—
	<b>3-2044BP</b>	BP Shower Set MUST ORDER VALVE SEPARATELY.	\$1,002	\$1,295	\$1,499
	<b>1-684</b>	Newport Brass BP Valve, 3 port with service stops, universal 1/2" NPT & direct sweat connections.	\$278	—	—
	<b>4-2044BP</b>	BP Shower Trim Less showerhead, arm and flange. MUST ORDER VALVE SEPARATELY.	\$520	\$676	\$782
	<b>1-684</b>	Newport Brass BP Valve, 3 port with service stops, universal 1/2" NPT & direct sweat connections. <b>See Shower &amp; Drain Sections to complete shower.</b>	\$278	—	—
	<b>4-2064BP</b>	BP Shower Trim Less showerhead, arm and flange. MUST ORDER VALVE SEPARATELY.	\$520	\$676	\$782
	<b>1-684</b>	Newport Brass BP Valve, 3 port with service stops, universal 1/2" NPT & direct sweat connections. <b>See Shower &amp; Drain Sections to complete shower.</b>	\$278	—	—
	<b>3-328</b>	Tub Spout 1/2" NPT inlet fitting. 6.94" spout overall length.	\$246	\$334	\$381
	<b>3-2045</b>	Wall Mount Tub Faucet MUST ORDER VALVES SEPARATELY.	\$798	\$1,036	\$1,199
	<b>1-500U</b>	2-valve rough with 1/2" NPT inlets & outlet.	\$358	—	—
	<b>3-2046</b>	Roman Tub Faucet Spout c-c 8". MUST ORDER VALVES SEPARATELY.	\$1,079	\$1,404	\$1,620
	<b>1-665</b>	3/4" valve for above. Quick connect included.	\$438	—	—

SECANT - 2040, 2060



**3-2047** Roman Tub Faucet with Handshower  
MUST ORDER VALVES SEPARATELY. \$1,441 \$1,871 \$2,159

**1-666** 3/4" valve for above. Quick connect included. \$883 — —



SEE PAGE 322

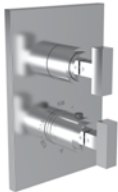


**2040-4261** Free Standing Tub Filler \$2,276 \$2,883 \$3,738  
37.99" (96.5cm) spout height at outlet (from floor).  
8.66" (22.0cm) spout reach (c-c).  
43" overall height.  
9.25 gallons (35 liters) per minute maximum flow rate (spout).  
1.8 gallons (6.8 liters) per minute maximum flow rate (hand shower).

**1-339** Optional Rough for Freestanding Tub Filler \$323 — —  
For subfloor and concrete floor installations.  
4.53" overall height.  
7.20" overall base diameter.  
Universal 3/4" NPT and 1/2" direct sweat connections.  
Test caps included.



**2049** Bidet Set \$1,495 \$2,014 \$2,311  
1/2" valves. Includes bottom spray with vacuum breaker, 4 hole mount bidet.



**3-2023TS** 1/2" Thermostatic Trim Plate with Handles \$649 \$868 \$996  
Integrated diverter handle with independent temperature control.  
MUST ORDER VALVE SEPARATELY.



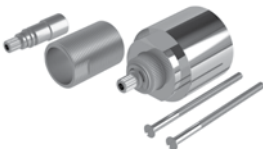
**3-2063TS** 1/2" Thermostatic Trim Plate with Handle \$649 \$868 \$996  
Integrated diverter handle with independent temperature control.  
MUST ORDER VALVE SEPARATELY.



**1-741**

**1-741** 1/2" Thermostatic Rough-in Valve 1-Port \$524 — —  
**1-742** 1/2" Thermostatic Rough-in Valve 2-Port\*\* \$627 — —  
**1-743** 1/2" Thermostatic Rough-in Valve 3-Port - Shared \$686 — —  
**1-744** 1/2" Thermostatic Rough-in Valve 3-Port\*\* \$686 — —  
**1-745** 1/2" Thermostatic Rough-in Valve 2-Port - Shared \$627 — —

See page 348 for more details.



**20-146** 1/2" Valve Trim Extension Kit \$273 \$368 \$423  
Extends 1-3/8". Please specify finish.

	<b>3-2044TS</b>	3/4" Thermostatic Trim Plate with Handle MUST ORDER VALVE SEPARATELY.	\$719	\$933	\$1,078
	<b>3-2064TS</b>	3/4" Thermostatic Trim Plate with Handle MUST ORDER VALVE SEPARATELY.	\$719	\$933	\$1,078
	<b>1-540</b>	3/4" Thermostatic Rough-in Valve Flow rate of 18 gallons per minute at 60 PSI. Factory calibrated comfort setting at 100-deg F, built-in check valves with service stops. IAPMO Listed. Meets ASSE Standard 1016.  MUST USE WITH SEPARATE STOP/VOLUME CONTROL	\$794	—	—
	<b>2-260</b>	3/4" Valve trim extension kit Extends 1-3/8". Please specify finish.	\$190	\$259	\$311
	<b>3-368</b>	Diverter/Flow Control Trim Use with stop or diverter valves, see page 355.	\$237	\$311	\$358
	<b>3-577</b>	Diverter/Flow Control Trim Use with stop or diverter valves, see page 355.	\$237	\$311	\$358
	<b>1-606U</b>	1/2" inlet/outlet universal stop valve. (clockwise off, for cross or lever handle)	\$195	—	—
	<b>1-607U</b>	3/4" inlet/outlet universal stop valve. (clockwise off, for cross or lever handle)	\$265	—	—
	<b>1-617</b>	1/2" In-wall 2 & 3 way diverter valve 1 inlet, 3 outlets.**	\$279	—	—

1/2" in-wall diverter valves\* with:



\*SEE PAGES 312-315 FOR HOW TO USE THESE DIVERTERS.

1-701	3 function with off. 1 inlet, 3 outlets.**	\$334	—	—
1-702	5 function with share and off. 1 inlet, 3 outlets.	\$334	—	—
1-703	3 function with pause. 1 inlet, 3 outlets.**	\$334	—	—
1-704	2 function with off. 1 inlet, 2 outlets.**	\$334	—	—
1-705	3 function with share and off. 1 inlet, 2 outlets.	\$334	—	—
1-706	2 function with pause. 1 inlet, 2 outlets.**	\$334	—	—
1-707	3 function with share (no off). 1 inlet, 2 outlets.	\$334	—	—



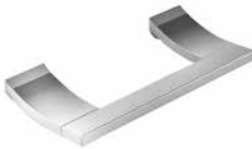
37-02	24" Towel Bar	\$286	\$339	\$466
-------	---------------	-------	-------	-------



37-09	8" Towel Ring	\$258	\$306	\$401
-------	---------------	-------	-------	-------



37-12	Single Robe Hook	\$109	\$141	\$169
-------	------------------	-------	-------	-------



37-28	Double Post Toilet Tissue Holder Pivoting Arm	\$262	\$316	\$390
-------	--	-------	-------	-------

**HOW TO ORDER:** STEP 1: Select Decorative Rings and Mounting Kit  
STEP 2: Select Grab Bar Tube



STEP 1:	2040-2400 Decorative Rings and Mounting Kit	\$220	\$230	\$282
---------	---	-------	-------	-------



STEP 2:	5080SQ	12" Grab Bar Tube	\$181	\$215	\$250
	5081SQ	16" Grab Bar Tube	\$221	\$297	\$350
	5082SQ	18" Grab Bar Tube	\$244	\$299	\$365
	5083SQ	24" Grab Bar Tube	\$283	\$340	\$402
	5085SQ	36" Grab Bar Tube	\$369	\$462	\$533



\*\*Cal Green compliant





2040-3942 42" Grab Bar

\$691 \$933 \$1,074

Sold as complete unit



SECANT - 2040, 2060



Available Finishes:		PC	PN SN
<b>4702</b>	18" Towel Bar	\$250	\$299



Available Finishes:		PC	PN SN
<b>4722-24</b>	24" Double Towel Bar	\$439	\$519



Available Finishes:		PC	PN SN
<b>4734T-24</b>	24" Shelf	\$303	\$364



\*\*Mirror tilts 4.5° with mechanism.

Available Finishes:		PC	PN SN
<b>4741</b>	Framed Mirror 20.4" x 34" Overall	\$810	\$966
<b>MTM-009</b>	Tilting Mechanism Optional**	\$88	\$88

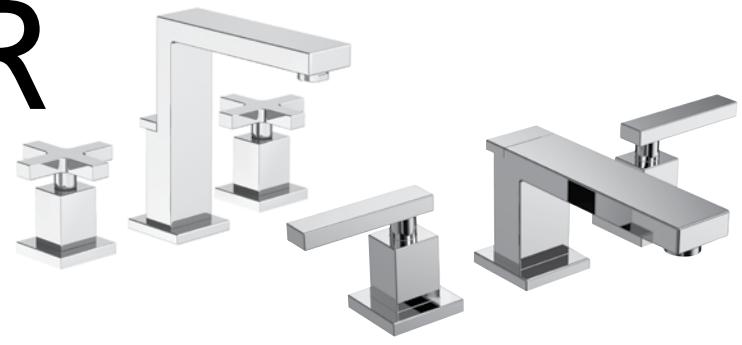


Available Finishes:		PC	PN SN
<b>4781</b>	Single Light Satin Etched, Cased Opal Glass	\$459	\$529



# SKYLAR

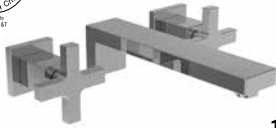
## 2560 | 2990



LAVATORY FAUCETS | TUB & SHOWER | ACCESSORIES | GRAB BARS

 	<p><b>2560</b></p>	<p>Widespread Lavatory Faucet Lever Handles. 1/2" valves. Spout c-c 5.47". 8" centers.</p>	<p>\$1,099</p>	<p>\$1,422</p>	<p>\$1,632</p>
 	<p><b>2990</b></p>	<p>Widespread Lavatory Faucet Cross Handles. 1/2" valves. Spout c-c 5.47". 8" centers.</p>	<p>\$1,099</p>	<p>\$1,422</p>	<p>\$1,632</p>
  	<p><b>2560C</b></p>	<p>Widespread Lavatory Faucet Lever Handles. 1/2" valves. Spout c-c 5.49". 8" centers.</p>	<p>\$1,185</p>	<p>\$1,587</p>	<p>\$1,893</p>
  	<p><b>2990C</b></p>	<p>Widespread Lavatory Faucet Cross Handles. 1/2" valves. Spout c-c 5.49". 8" centers.</p>	<p>\$1,185</p>	<p>\$1,587</p>	<p>\$1,893</p>
 	<p><b>2563</b></p>	<p>Single Hole Lavatory Faucet 5.15" spout height at outlet . 4.94" spout reach (c-c). 8.70" overall height. Includes pop-up assembly.</p>	<p>\$953</p>	<p>\$1,288</p>	<p>\$1,477</p>
 	<p><b>101</b></p>	<p>Cover Plate, Optional 6" x 2.5".</p>	<p>\$99</p>	<p>\$142</p>	<p>\$152</p>
 	<p><b>3-2561</b></p>	<p>Wall Mount Lavatory Faucet Lever Handles. Spout c-c 8.32". 8" centers. Drain not included. See Brasstech #330, 3301, 3302 or 3303. MUST ORDER VALVES SEPARATELY.</p>	<p>\$922</p>	<p>\$1,243</p>	<p>\$1,427</p>
<p><b>1-532U</b></p>	<p><b>1-532U</b></p>	<p>2-valve rough with 1/2" NPT inlets &amp; outlet.</p>	<p>\$358</p>	<p>—</p>	<p>—</p>

SKYLAR - 2560, 2990



**3-2991** Wall Mount Lavatory Faucet  
Cross Handles. Spout c-c 8.32".  
8" centers. Drain not included. See  
Brasstech #330, 3301, 3302 or 3303.  
**MUST ORDER VALVES SEPARATELY.**

\$922 \$1,243 \$1,427

**1-532U** 2-valve rough with 1/2" NPT inlets & outlet. \$358 — —

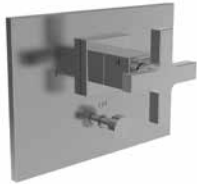


**5-2042BP** BP Tub & Shower Trim  
Less tub spout, showerhead, arm and flange.  
**MUST ORDER VALVE SEPARATELY.**

\$611 \$794 \$916

**1-685** Newport Brass BP Valve with diverter, 4 port with  
service stops, universal 1/2" NPT & direct sweat  
connections. \$384 — —

**See Shower & Drain Sections to complete shower.**



**5-2062BP** BP Tub & Shower Trim  
Less tub spout, showerhead, arm and flange.  
**MUST ORDER VALVE SEPARATELY.**

\$611 \$794 \$916

**1-685** Newport Brass BP Valve with diverter, 4 port with  
service stops, universal 1/2" NPT & direct sweat  
connections. \$384 — —

**See Shower & Drain Sections to complete shower.**



**3-2564BP** BP Shower Set  
**MUST ORDER VALVE SEPARATELY.**

\$1,244 \$1,683 \$1,934

**1-684** Newport Brass BP Valve, 3 port with service stops,  
universal 1/2" NPT & direct sweat connections \$278 — —

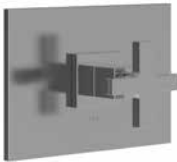


**4-2044BP** BP Shower Trim  
Less showerhead, arm and flange.  
**MUST ORDER VALVE SEPARATELY.**

\$520 \$676 \$782

**1-684** Newport Brass BP Valve, 3 port with service stops,  
universal 1/2" NPT & direct sweat connections \$278 — —

**See Shower & Drain Sections to complete shower.**



**4-2064BP** BP Shower Trim  
Less showerhead, arm and flange.  
**MUST ORDER VALVE SEPARATELY.**

\$520 \$676 \$782

**1-684** Newport Brass BP Valve, 3 port with service stops,  
universal 1/2" NPT & direct sweat connections. \$278 — —

**See Shower & Drain Sections to complete shower.**



**8-030** Tub Spout  
3/4" NPT inlet fitting.  
9.44" spout overall length. \$393 \$482 \$527



**3-2565** Wall Mount Tub Faucet. Lever Handles  
**MUST ORDER VALVES SEPARATELY.**

\$922 \$1,241 \$1,427

**1-500U** 2-valve rough with 1/2" NPT inlets & outlet. \$358 — —



**3-2566** Roman Tub Faucet. Lever Handles  
Spout c-c 8.35". Finished deck thickness  
should be less than or equal to 15/16".  
MUST ORDER VALVES SEPARATELY.

\$1,305 \$1,914 \$2,264

**1-665** 3/4" valve for above.  
Quick connect included.

\$438 — —



**3-2567** Roman Tub Faucet with Handshower  
Spout c-c 8.35". Finished deck thickness  
should be less than or equal to 15/16".  
Set includes: 1 ea. No. 283-4 Handshower, No.  
284 59" Hose, No. 6-289-4 Deck Flange Kit.  
MUST ORDER VALVES SEPARATELY.

\$1,936 \$2,923 \$3,485

**1-666** 3/4" valve for above.  
Includes hose and quick connect.

\$883 — —



**2560-4261** Free Standing Tub Filler  
38.02" (96.6cm) spout height at outlet (from floor).  
7.86" (19.9cm) spout reach (c-c).  
39.49" overall height.  
9.25 gallons (35 liters) per minute maximum flow rate (spout).  
1.8 gallons (6.8 liters) per minute maximum flow rate (hand shower).

\$2,276 \$2,883 \$3,738

SEE PAGE 323



**1-339** Optional Rough for Freestanding Tub Filler  
For subfloor and concrete floor installations.  
4.53" overall height.  
7.20" overall base diameter.  
Universal 3/4" NPT and 1/2" direct sweat connections.  
Test caps included.

\$323 — —



**2049** Bidet Set  
Lever Handles. 1/2" valves.  
Includes bottom spray with  
vacuum breaker, 4 hole mount bidet.

\$1,495 \$2,014 \$2,311



**3-2023TS** 1/2" Thermostatic Trim Plate with Handles  
Integrated diverter handle with independent  
temperature control.  
MUST ORDER VALVE SEPARATELY.

\$649 \$868 \$996



**3-2063TS** 1/2" Thermostatic Trim Plate with Handles  
Integrated diverter handle with independent  
temperature control.  
MUST ORDER VALVE SEPARATELY.

\$649 \$868 \$996



**1-741**

**1-741** 1/2" Thermostatic Rough-in Valve 1-Port \$524 — —  
**1-742** 1/2" Thermostatic Rough-in Valve 2-Port\*\* \$627 — —  
**1-743** 1/2" Thermostatic Rough-in Valve 3-Port - Shared \$686 — —  
**1-744** 1/2" Thermostatic Rough-in Valve 3-Port\*\* \$686 — —  
**1-745** 1/2" Thermostatic Rough-in Valve 2-Port - Shared \$627 — —

See page 348 for more details.

\*\*Cal Green compliant

SKYLAR - 2560, 2990



**20-146** 1/2" Valve Trim Extension Kit  
Extends 1-3/8". Please specify finish.

\$273 \$368 \$423



**3-2044TS** 3/4" Thermostatic Trim Plate with Handle  
MUST ORDER VALVE SEPARATELY.

\$719 \$933 \$1,078



**3-2064TS** 3/4" Thermostatic Trim Plate with Handle  
MUST ORDER VALVE SEPARATELY.

\$719 \$933 \$1,078



**1-540** 3/4" Thermostatic Rough-in Valve  
Flow rate of 18 gallons per minute at 60 PSI.  
Factory calibrated comfort setting at 100-deg F,  
built-in check valves with service stops.  
IAPMO Listed. Meets ASSE Standard 1016.  
  
MUST USE WITH SEPARATE STOP/VOLUME CONTROL

\$794 — —



**2-260** 3/4" Valve trim extension kit  
Extends 1-3/8". Please specify finish.

\$190 \$259 \$311



**3-368** Diverter/Flow Control Trim  
Use with stop or diverter valves, see page 355.

\$237 \$311 \$358



**3-577** Diverter/Flow Control Trim  
Use with stop or diverter valves, see page 355.

\$237 \$311 \$358



**1-606U** 1/2" inlet/outlet universal stop valve.  
(clockwise off, for cross or lever handle)

\$195 — —

**1-607U** 3/4" inlet/outlet universal stop valve.  
(clockwise off, for cross or lever handle)

\$265 — —



**1-617** 1/2" In-wall 2 & 3 way diverter valve  
1 inlet, 3 outlets.\*\*

\$279 — —

1/2" in-wall diverter valves\* with:



\*SEE PAGES 312-315  
FOR HOW TO USE  
THESE DIVERTERS.

<b>1-701</b>	3 function with off. 1 inlet, 3 outlets.**	\$334	—	—
<b>1-702</b>	5 function with share and off. 1 inlet, 3 outlets.	\$334	—	—
<b>1-703</b>	3 function with pause. 1 inlet, 3 outlets.**	\$334	—	—
<b>1-704</b>	2 function with off. 1 inlet, 2 outlets.**	\$334	—	—
<b>1-705</b>	3 function with share and off. 1 inlet, 2 outlets.	\$334	—	—
<b>1-706</b>	2 function with pause. 1 inlet, 2 outlets.**	\$334	—	—
<b>1-707</b>	3 function with share (no off). 1 inlet, 2 outlets.	\$334	—	—



**2020-1200** 8' Towel Bar

\$152 \$183 \$228

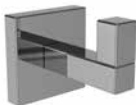


**2020-1230** 18" Towel Bar

\$217 \$260 \$324

**2020-1250** 24" Towel Bar

\$255 \$306 \$383



**2020-1650** Single Robe Hook

\$76 \$90 \$125



**2020-1570** Open Toilet Tissue Holder

\$207 \$248 \$311

SKYLAR - 2560, 2990



2020-1500 Double Post Toilet Tissue Holder

\$242

\$305

\$382

**HOW TO ORDER:** STEP 1: Select Decorative Rings and Mounting Kit  
STEP 2: Select Grab Bar Tube



**STEP 1:** 2040-2400 Decorative Rings and Mounting Kit

\$220

\$230

\$282



**STEP 2:** 5080SQ 12" Grab Bar Tube  
5081SQ 16" Grab Bar Tube  
5082SQ 18" Grab Bar Tube  
5083SQ 24" Grab Bar Tube  
5085SQ 36" Grab Bar Tube

\$181

\$215

\$250

\$221

\$297

\$350

\$244

\$299

\$365

\$283

\$340

\$402

\$369

\$462

\$533



2040-3942 42" Grab Bar

\$691

\$933

\$1,074

Sold as complete unit







Available Finishes:		PC	PN	SN
<b>5227</b>	Double Post Toilet Tissue Holder with Cover	\$313	\$393	




Available Finishes:		PC	PN	SN
<b>5210T</b>	Triple Robe Hook-Pivoting	\$206	\$227	



Available Finishes:		PC	PN	SN
<b>5217</b>	Valet Hook	\$253	\$278	




Available Finishes:		PC	PN	SN
<b>5234T-24</b>	24" Shelf	\$289	\$355	



IMPORTANT: Order (1) Mounting Kit plus (1) Frame to make a complete unit.

Available Finishes:		PC	PN	SN
<b>524B</b>	Hotel Shelf Mounting Kit	\$124	\$148	
<b>XX43-20</b>	20" Hotel Shelf Frame with Towel Bar	\$306	\$366	
<b>XX43-24</b>	24" Hotel Shelf Frame with Towel Bar	\$326	\$387	



IMPORTANT: Order (1) Mounting Kit plus (1) Frame to make a complete unit.

Available Finishes:		PC	PN	SN
<b>524B</b>	Hotel Shelf Mounting Kit	\$124	\$148	
<b>XX43S-20</b>	20" Hotel Shelf Frame w/Towel Bar, Squared Corners	\$384	\$463	
<b>XX43S-24</b>	24" Hotel Shelf Frame w/Towel Bar, Squared Corners	\$415	\$497	



Available Finishes:		NO FINISH
<b>4641N</b>	16" x 34" Overall Frameless Mirror	\$412

# SLATER

## 2920 | 2950



LAVATORY FAUCETS | TUB & SHOWER | ACCESSORIES | GRAB BAR



**2920** Widespread Lavatory Faucet  
1/2" valves. Spout c-c 7.13".  
8" centers. \$1,277 \$1,885 \$2,168

**NEW**



**2930** Widespread Lavatory Faucet  
1/2" valves. Spout c-c 6.01".  
8" centers. \$1,052 \$1,421 \$1,631



**2950** Widespread Lavatory Faucet  
1/2" valves. Spout c-c 6.13".  
8" centers. \$1,277 \$1,885 \$2,168



**2960** Widespread Lavatory Faucet  
1/2" valves. Spout c-c 6.13".  
8" centers. \$1,175 \$1,752 \$2,039











**3-2921** Wall Mount Lavatory Faucet  
Spout c-c 9.50". 8" centers.  
Drain not included. See Brasstech  
# 330, 3301, 3302 or 3303.  
**MUST ORDER VALVE SEPARATELY.** \$964 \$1,300 \$1,498

**1-532U** 2-valve rough with 1/2" NPT inlets & outlet. \$358 — —



**3-2922BP** BP Tub & Shower Set  
**MUST ORDER VALVE SEPARATELY.** \$1,140 \$1,537 \$1,769

**1-685** Newport Brass BP Valve with diverter, 4 port with  
service stops, universal 1/2" NPT & direct sweat  
connections. \$384 — —

	<b>5-2922BP</b>	BP Tub & Shower Trim Less tub spout, showerhead, arm and flange. MUST ORDER VALVE SEPARATELY.	\$597	\$806	\$930
	<b>1-685</b>	Newport Brass BP Valve with diverter, 4 port with service stops, universal 1/2" NPT & direct sweat connections. <b>See Shower &amp; Drain Sections to complete shower.</b>	\$384	—	—
	<b>3-2924BP</b>	BP Shower Set MUST ORDER VALVE SEPARATELY.	\$857	\$1,159	\$1,334
	<b>1-684</b>	Newport Brass BP Valve, 3 port with service stops, universal 1/2" NPT & direct sweat connections.	\$278	—	—
	<b>4-2924BP</b>	BP Shower Trim Less showerhead, arm and flange. MUST ORDER VALVE SEPARATELY.	\$501	\$678	\$779
	<b>1-684</b>	Newport Brass BP Valve, 3 port with service stops, universal 1/2" NPT & direct sweat connections. <b>See Shower &amp; Drain Sections to complete shower.</b>	\$278	—	—
	<b>3-234</b>	Tub Spout 1/2" NPT inlet fitting. 7" spout overall length.	\$227	\$301	\$347
	<b>3-2925</b>	Wall Mount Tub Faucet Spout c-c 6-9/16". MUST ORDER VALVES SEPARATELY.	\$917	\$1,238	\$1,423
	<b>1-500U</b>	2-valve rough with 1/2" NPT inlets & outlet.	\$358	—	—
	<b>3-2923TR</b>	1/2" Thermostatic Trim Plate with Handles Integrated diverter handle with independent temperature control. MUST ORDER VALVE SEPARATELY.	\$817	\$1,101	\$1,266
	<b>1-741</b>	1/2" Thermostatic Rough-in Valve 1-Port	\$524	—	—
	<b>1-742</b>	1/2" Thermostatic Rough-in Valve 2-Port**	\$627	—	—
	<b>1-743</b>	1/2" Thermostatic Rough-in Valve 3-Port - Shared	\$686	—	—
	<b>1-744</b>	1/2" Thermostatic Rough-in Valve 3-Port**	\$686	—	—
	<b>1-745</b>	1/2" Thermostatic Rough-in Valve 2-Port - Shared	\$627	—	—
<b>1-741</b>	See page 348 for more details.				
	<b>20-146</b>	1/2" Valve Trim Extension Kit Extends 1-3/8". Please specify finish.	\$273	\$368	\$423



**3-2924TR** 3/4" Thermostatic Trim Plate with Handle  
MUST ORDER VALVE SEPARATELY. \$876 \$1,161 \$1,319



**1-540** 3/4" Thermostatic Rough-in Valve  
Flow rate of 18 gallons per minute at 60 PSI.  
Factory calibrated comfort setting at 100-deg F,  
built-in check valves with service stops.  
IAPMO Listed. Meets ASSE Standard 1016.  
MUST USE WITH SEPARATE STOP/VOLUME CONTROL \$794 — —



**2-260** 3/4" Valve trim extension kit  
Extends 1-3/8". Please specify finish. \$190 \$259 \$311



**3-570** Diverter/Flow Control Trim  
Use with stop or diverter valves, see page 355. \$294 \$389 \$443



**1-606U** 1/2" inlet/outlet universal stop valve.  
(clockwise off, for cross or lever handle) \$195 — —



**1-607U** 3/4" inlet/outlet universal stop valve.  
(clockwise off, for cross or lever handle) \$265 — —



**1-617** 1/2" In-wall 2 & 3 way diverter valve  
1 inlet, 3 outlets.\*\* \$279 — —

1/2" in-wall diverter valves\* with:



**1-701** 3 function with off. 1 inlet, 3 outlets.\*\* \$334 — —

**1-702** 5 function with share and off. 1 inlet, 3 outlets. \$334 — —

**1-703** 3 function with pause. 1 inlet, 3 outlets.\*\* \$334 — —

**1-704** 2 function with off. 1 inlet, 2 outlets.\*\* \$334 — —

**1-705** 3 function with share and off. 1 inlet, 2 outlets. \$334 — —

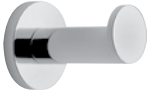
**1-706** 2 function with pause. 1 inlet, 2 outlets.\*\* \$334 — —

**1-707** 3 function with share (no off). 1 inlet, 2 outlets. \$334 — —


\*SEE PAGES 312-315  
FOR HOW TO USE  
THESE DIVERTERS.


	<b>990-1200</b> 8" Towel Bar	\$128	\$155	\$224
---	------------------------------	-------	-------	-------

	<b>990-1230</b> 18" Towel Bar	\$170	\$202	\$293
	<b>990-1250</b> 24" Towel Bar	\$179	\$216	\$306



	<b>990-1650</b> Single Robe Hook	\$67	\$83	\$120
---	----------------------------------	------	------	-------

	<b>990-1660</b> Robe Hook	\$89	\$106	\$154
--	---------------------------	------	-------	-------

	<b>990-1570</b> Open Toilet Tissue Holder	\$114	\$139	\$201
---	---	-------	-------	-------

	<b>990-1500</b> Double Post Toilet Tissue Holder	\$182	\$217	\$314
---	--	-------	-------	-------

**HOW TO ORDER:** **STEP 1:** Select Decorative Rings and Mounting Kit  
**STEP 2:** Select Grab Bar Tube

	<b>STEP 1:</b> <b>2480-2400</b> Decorative Rings and Mounting Kit	\$206	\$230	\$282
	<b>STEP 2:</b> <b>5080SQ</b> 12" Grab Bar Tube	\$181	\$215	\$250
	<b>5081SQ</b> 16" Grab Bar Tube	\$221	\$297	\$350
	<b>5082SQ</b> 18" Grab Bar Tube	\$244	\$299	\$365
	<b>5083SQ</b> 24" Grab Bar Tube	\$283	\$340	\$402
	<b>5085SQ</b> 36" Grab Bar Tube	\$369	\$462	\$533



SLATER - 2920



**2480-3942** 42" Grab Bar

\$691

\$933

\$1,074

Sold as complete unit





Available Finishes:		PC	SN
<b>0222-24</b>	24" Double Towel Bar	\$317	\$367



Available Finishes:		PC	SN
<b>0218CT-10-10</b>	Corner Shelf	\$129	\$159



Available Finishes:		PC	SN
<b>0218T-18</b>	18" Shelf	\$158	\$189



Available Finishes:		PC	SN
<b>0219T-18</b>	18" Shelf with Towel Bar	\$385	\$463



Available Finishes:		PC	SN
<b>0234T-18</b>	18" Shelf	\$192	\$230



Available Finishes:		PC	SN
<b>0240-24</b>	24" Hotel Shelf	\$413	\$484



Available Finishes:		PC	SN
<b>0243-24</b>	24" Hotel Shelf w/towel bar	\$512	\$591

# SUTTON

2440 | 2450



LAVATORY FAUCETS | TUB & SHOWER | ACCESSORIES | GRAB BAR



**2440**

Widespread Lavatory Faucet  
Cross Handles. 1/2" valves.  
Spout c-c 5.24". 8" centers.

\$980 \$1,293 \$1,483



**2450**

Widespread Lavatory Faucet  
Lever Handles 1/2" valves.  
Spout c-c 5.24". 8" centers.

\$980 \$1,293 \$1,483



**3-2441**

Wall Mount Lavatory Faucet  
Cross Handles. Spout c-c 6.88".  
8" centers. Drain not included. See  
Brasstech # 330, 3301, 3302 or 3303.  
MUST ORDER VALVES SEPARATELY.

\$761 \$1,025 \$1,176

**1-532U**

2-valve rough with 1/2" NPT inlets & outlet.

\$358 — —



**3-2451**

Wall Mount Lavatory Faucet  
Lever Handles. Spout c-c 6.88".  
8" centers. Drain not included. See  
Brasstech # 330, 3301, 3302 or 3303.  
MUST ORDER VALVES SEPARATELY.

\$761 \$1,025 \$1,176

**1-532U**

2-valve rough with 1/2" NPT inlets & outlet.

\$358 — —



**5-2442BP**

BP Tub & Shower Trim. Cross Handle.  
Less tub spout, showerhead, arm and flange.  
MUST ORDER VALVE SEPARATELY.

\$547 \$712 \$821

**1-685**

Newport Brass BP Valve with diverter, 4 port with  
service stops, universal 1/2" NPT & direct sweat  
connections.

\$384 — —

See Shower & Drain Sections to complete shower.



**5-2452BP**

BP Tub & Shower Trim. Lever Handle.  
Less tub spout, showerhead, arm and flange.  
MUST ORDER VALVE SEPARATELY.

\$547 \$712 \$821









**1-685**

Newport Brass BP Valve with diverter, 4 port with  
service stops, universal 1/2" NPT & direct sweat  
connections.

\$384 — —

See Shower & Drain Sections to complete shower.



	<b>4-2444BP</b>	BP Shower Trim. Cross Handle. Less showerhead, arm and flange. MUST ORDER VALVE SEPARATELY.	\$455	\$594	\$683
	<b>1-684</b>	Newport Brass BP Valve, 3 port with service stops, universal 1/2" NPT & direct sweat connections. <b>See Shower &amp; Drain Sections to complete shower.</b>	\$278	—	—
	<b>3-2454BP</b>	BP Shower Set. Lever Handle. MUST ORDER VALVE SEPARATELY.	\$960	\$1,244	\$1,440
	<b>1-684</b>	Newport Brass BP Valve, 3 port with service stops, universal 1/2" NPT & direct sweat connections.	\$278	—	—
	<b>4-2454BP</b>	BP Shower Trim. Lever Handle. Less showerhead, arm and flange. MUST ORDER VALVE SEPARATELY.	\$455	\$594	\$683
	<b>1-684</b>	Newport Brass BP Valve, 3 port with service stops, universal 1/2" NPT & direct sweat connections. <b>See Shower &amp; Drain Sections to complete shower.</b>	\$278	—	—
	<b>3-669</b>	Tub Spout 1/2" NPT inlet fitting. 9.83" spout overall length.	\$246	\$334	\$381
	<b>3-2445</b>	Wall Mount Tub Faucet Cross Handles. MUST ORDER VALVE SEPARATELY.	\$761	\$990	\$1,142
	<b>1-500U</b>	2-valve rough with 1/2" NPT inlets & outlet.	\$358	—	—
	<b>3-2455</b>	Wall Mount Tub Faucet Lever Handles. MUST ORDER VALVE SEPARATELY.	\$761	\$990	\$1,142
	<b>1-500U</b>	2-Valve rough with 1/2" NPT inlets & outlet.	\$358	—	—
	<b>3-2456</b>	Roman Tub Faucet Lever Handles. Spout c-c 7.37" MUST ORDER VALVE SEPARATELY.	\$1,036	\$1,350	\$1,559
	<b>1-502</b>	3/4" valve for above. Quick connect included.	\$438	—	—
	<b>3-2457</b>	Roman Tub Faucet with Handshower Lever Handles. Spout c-c 7.37". MUST ORDER VALVES SEPARATELY.	\$1,398	\$1,817	\$2,097
	<b>1-503</b>	3/4" Valve for above. Includes No. 290 and quick connect.	\$883	—	—



SUTTON - 2440, 2450



**2400-4272** Exposed Tub and Hand Shower Set - Deck Mount. **\$1,805** **\$2,300** **\$2,795**  
 Cross Handles.  
 7.25" centers. Spout c-c 9.11".  
 Includes: 281 Hand Shower



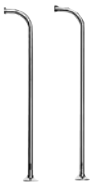
**2400-4273** Exposed Tub and Hand Shower Set - Deck Mount. **\$1,805** **\$2,300** **\$2,795**  
 Lever Handles.  
 7.25" centers. Spout c-c 9.11".  
 Includes: 281 Hand Shower



**2400-4282** Exposed Tub and Hand Shower Set - Wall Mount. **\$1,723** **\$2,214** **\$2,683**  
 Cross Handles.  
 6" centers. Spout c-c 7".  
 Includes: 281 Hand Shower  
 Floor-mount kit item  
 3-196 or 3-226 sold separately.



**2400-4283** Exposed Tub and Hand Shower Set - Wall Mount. **\$1,723** **\$2,214** **\$2,683**  
 Lever Handles  
 6" centers. Spout c-c 7".  
 Includes: 281 Hand Shower  
 Floor-mount kit item  
 3-196 or 3-226 sold separately.



**3-196** Floor Mount Kit for Exposed Tub Sets **\$637** **\$888** **\$1,066**  
 Set includes: 2 each Floor Flanges  
 2 each 3/4" Risers - 31" high.  
 Stabilizer kit sold separately.

**3-226** Same as above only 24" high. **\$612** **\$855** **\$1,029**  
**3-192** 3/4" Shut-off Valves for above (1 pair hot & cold). **\$896** **\$1,065** **\$1,278**











**1-378** Optional Rough For Exposed Tub Filler **\$440** — —  
 For subfloor or concrete floor installations.  
 3.65" overall height.  
 10.38" x 5" overall base size.  
 Universal 1/2" NPT connections. Test caps included.  
 For use with 3-196 or 3-226 tub risers.



**2-734** Stabilizer Kit for Exposed Tub Floor Riser Kits **\$314** **\$406** **\$435**  
 Adjustable for risers that are 6" to 9" apart.  
 Includes 1-1/2" finished ring for connecting kit to  
 tub overflow pipe. Finished plate for wall mounting  
 up to 10" center of riser pipes.



**2459** Bidet Set **\$1,495** **\$2,014** **\$2,311**  
 Lever Handles. 1/2" valves.  
 Includes bottom spray with  
 vacuum breaker, 4 hole mount bidet.

	<b>3-2403TR</b>	1/2" Thermostatic Trim Plate with Handles Integrated diverter handle with independent temperature control.  MUST ORDER VALVE SEPARATELY.	\$628	\$834	\$960
	<b>3-2413TR</b>	1/2" Thermostatic Trim Plate with Handles Integrated diverter handle with independent temperature control.  MUST ORDER VALVE SEPARATELY.	\$628	\$834	\$960
	<b>1-741</b>	1/2" Thermostatic Rough-in Valve 1-Port	\$524	—	—
	<b>1-742</b>	1/2" Thermostatic Rough-in Valve 2-Port**	\$627	—	—
	<b>1-743</b>	1/2" Thermostatic Rough-in Valve 3-Port - Shared	\$686	—	—
	<b>1-744</b>	1/2" Thermostatic Rough-in Valve 3-Port**	\$686	—	—
	<b>1-745</b>	1/2" Thermostatic Rough-in Valve 2-Port - Shared	\$627	—	—
<b>1-741</b>	See page 348 for more details.				
	<b>20-146</b>	1/2" Valve Trim Extension Kit Extends 1-3/8". Please specify finish.	\$273	\$368	\$423
	<b>3-2404TR</b>	3/4" Thermostatic Trim Plate with Handle MUST ORDER VALVE SEPARATELY.	\$702	\$912	\$1,055
	<b>3-2414TR</b>	3/4" Thermostatic Trim Plate with Handle MUST ORDER VALVE SEPARATELY.	\$702	\$912	\$1,055
	<b>1-540</b>	3/4" Thermostatic Rough-in Valve Flow rate of 18 gallons per minute at 60 PSI. Factory calibrated comfort setting at 100-deg F, built-in check valves with service stops. IAPMO Listed. Meets ASSE Standard 1016.  MUST USE WITH SEPARATE STOP/VOLUME CONTROL	\$794	—	—
	<b>2-260</b>	3/4" Valve trim extension kit Extends 1-3/8". Please specify finish.	\$190	\$259	\$311



**3-378** Diverter/Flow Control Trim  
Use with stop or diverter valves, see page 355. \$237 \$311 \$358



**3-379** Diverter/Flow Control Trim  
Use with stop or diverter valves, see page 355. \$237 \$311 \$358



**1-606U** 1/2" inlet/outlet universal stop valve.  
(clockwise off, for cross or lever handle) \$195 — —

**1-607U** 3/4" inlet/outlet universal stop valve.  
(clockwise off, for cross or lever handle) \$265 — —



**1-617** 1/2" In-wall 2 & 3 way diverter valve  
1 inlet, 3 outlets.\*\* \$279 — —

1/2" in-wall diverter valves\* with:



\*SEE PAGES 312-315  
FOR HOW TO USE  
THESE DIVERTERS.

**1-701** 3 function with off. 1 inlet, 3 outlets.\*\* \$334 — —  
**1-702** 5 function with share and off. 1 inlet, 3 outlets. \$334 — —  
**1-703** 3 function with pause. 1 inlet, 3 outlets.\*\* \$334 — —  
**1-704** 2 function with off. 1 inlet, 2 outlets.\*\* \$334 — —  
**1-705** 3 function with share and off. 1 inlet, 2 outlets. \$334 — —  
**1-706** 2 function with pause. 1 inlet, 2 outlets.\*\* \$334 — —  
**1-707** 3 function with share (no off). 1 inlet, 2 outlets. \$334 — —



**2-645** Tank Lever for Aylesbury,  
Jacobean and Sutton Series \$147 \$190 \$223

**6-505** Tank Lever Mechanism \$115 \$139 \$155



**35-01** 18" Towel Bar \$285 \$373 \$413

**35-02** 24" Towel Bar \$304 \$377 \$419



**35-09** Towel Ring \$208 \$268 \$304



**35-12** Single Robe Hook \$155 \$202 \$236



**35-13** Double Robe Hook \$183 \$236 \$268



**35-27** Open Toilet Tissue Holder \$187 \$237 \$274



**35-28** Double Post Toilet Tissue Holder \$268 \$340 \$391

**HOW TO ORDER:** **STEP 1:** Select Decorative Rings and Mounting Kit  
**STEP 2:** Select Grab Bar Tube



**STEP 1:** **2440-2400** Decorative Rings and Mounting Kit \$259 \$383 \$429



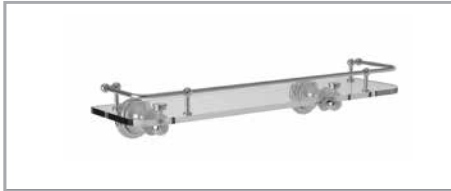
**STEP 2:**  
**5080** 12" Grab Bar Tube \$140 \$206 \$230  
**5081** 16" Grab Bar Tube \$166 \$233 \$293  
**5082** 18" Grab Bar Tube \$187 \$260 \$285  
**5083** 24" Grab Bar Tube \$224 \$301 \$347  
**5085** 36" Grab Bar Tube \$330 \$410 \$485



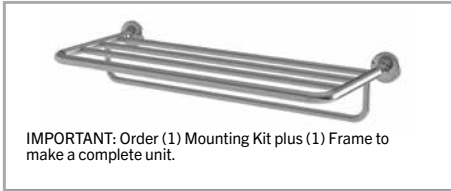
**2440-3942** 42" Grab Bar \$691 \$933 \$1,074

Sold as complete unit



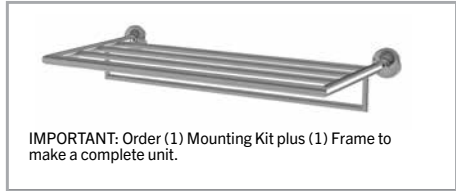


Available Finishes:		PC	PN	SN
<b>5635T-18</b>	18" Gallery Shelf	\$477	\$570	



IMPORTANT: Order (1) Mounting Kit plus (1) Frame to make a complete unit.

Available Finishes:		PC	PN	SN
<b>564B</b>	Hotel Shelf Mounting Kit	\$137	\$164	
<b>XX43-20</b>	20" Hotel Shelf Frame with Towel Bar	\$306	\$366	
<b>XX43-24</b>	24" Hotel Shelf Frame with Towel Bar	\$326	\$387	



IMPORTANT: Order (1) Mounting Kit plus (1) Frame to make a complete unit.

Available Finishes:		PC	PN	SN
<b>564B</b>	Hotel Shelf Mounting Kit	\$137	\$164	
<b>XX43S-20</b>	20" Hotel Shelf Frame with Towel Bar, Squared Corners	\$384	\$463	
<b>XX43S-24</b>	24" Hotel Shelf Frame with Towel Bar, Squared Corners	\$415	\$497	















Available Finishes:		PC	PN	SN
<b>5642</b>	24.50" x 36.58" Overall Frameless Pivoting Mirror	\$663	\$777	

# TAFT





## 2940



LAVATORY FAUCETS | TUB & SHOWER | ACCESSORIES | GRAB BARS

 	<p><b>2940</b></p>	<p>Widespread Lavatory Faucet 1/2" valves. 6.01" centers. Spout c-c 6.01".</p>	<p>\$995</p>	<p>\$1,373</p>	<p>\$1,650</p>
 	<p><b>2940C</b></p>	<p>Widespread Lavatory 1/2" valves. 8" centers. Spout c-c 7.13".</p>	<p>\$1,143</p>	<p>\$1,478</p>	<p>\$1,870</p>
 	<p><b>3-2941</b></p>	<p>Wall Mount Lavatory Faucet Spout c-c 9.50". 8" centers Drain not included. See Brasstech #330, 3301, 3302 or 3303. <b>MUST ORDER VALVES SEPARATELY.</b></p>	<p>\$834</p>	<p>\$1,213</p>	<p>\$1,468</p>
	<p><b>1-532U</b></p>	<p>2-valve rough with 1/2" NPT inlets &amp; outlet.</p>	<p>\$358</p>	<p>—</p>	<p>—</p>
	<p><b>5-2942BP</b></p>	<p>BP Tub and Shower Trim Less tub spout, showerhead, arm and flange. <b>MUST ORDER VALVE SEPARATELY.</b></p>	<p>\$522</p>	<p>\$543</p>	<p>\$627</p>
	<p><b>1-685</b></p>	<p>Newport Brass BP Valve with diverter, 4 port with service stops, universal 1/2" NPT &amp; direct sweat connections. <b>See Shower &amp; Drain Sections to complete shower.</b></p>	<p>\$384</p>	<p>—</p>	<p>—</p>
	<p><b>4-2944BP</b></p>	<p>BP Shower Trim Plate with Handle Less showerhead, arm and flange. <b>MUST ORDER VALVE SEPARATELY.</b></p>	<p>\$438</p>	<p>\$539</p>	<p>\$607</p>
	<p><b>1-684</b></p>	<p>Newport Brass BP Valve, 3 port with service stops, universal 1/2" NPT &amp; direct sweat connections. <b>See Shower &amp; Drain Sections to complete shower.</b></p>	<p>\$278</p>	<p>—</p>	<p>—</p>
	<p><b>3-729</b></p>	<p>Tub Spout 1/2" NPT inlet fitting. 9.94" spout overall length.</p>	<p>\$300</p>	<p>\$384</p>	<p>\$426</p>

TAFT - 2940

	<b>3-2945</b>	Wall Mount Tub Faucet Spout c-c 9.50". MUST ORDER VALVES SEPARATELY.	\$832	\$1,163	\$1,349
	<b>1-500U</b>	2-valve rough with 1/2" NPT inlets & outlet.	\$358	—	—
	<b>3-2946</b>	Roman Tub Faucet Spout c-c 8.25". MUST ORDER VALVES SEPARATELY.	\$1,240	\$1,736	\$1,993
	<b>1-697</b>	3/4" valve for above. Quick connect included.	\$438	—	—
	<b>3-2947</b>	Roman Tub Faucet with Handshower Spout c-c 8.25". MUST ORDER VALVES SEPARATELY.	\$1,650	\$2,184	\$2,573
	<b>1-698</b>	3/4" valve for above. Includes hose & quick connect.	\$883	—	—
	<b>2949</b>	Bidet Set 1/2" valves. Includes bottom spray with vacuum breaker. 4 hole mount bidet.	\$1,801	\$2,520	\$2,772
	<b>3-2943TR</b>	1/2" Thermostatic Trim Plate with Handles Integrated diverter handle with independent temperature control. MUST ORDER VALVE SEPARATELY.	\$754	\$866	\$1,038
	<b>1-741</b>	1/2" Thermostatic Rough-in Valve 1-Port	\$524	—	—
	<b>1-742</b>	1/2" Thermostatic Rough-in Valve 2-Port**	\$627	—	—
	<b>1-743</b>	1/2" Thermostatic Rough-in Valve 3-Port - Shared	\$686	—	—
	<b>1-744</b>	1/2" Thermostatic Rough-in Valve 3-Port**	\$686	—	—
	<b>1-745</b>	1/2" Thermostatic Rough-in Valve 2-Port - Shared	\$627	—	—
<b>1-741</b>		See page 348 for more details.			
	<b>20-146</b>	1/2" Valve Trim Extension Kit Extends 1-3/8". Please specify finish.	\$273	\$368	\$423
	<b>3-2944TR</b>	3/4" Thermostatic Trim Plate with Handle MUST ORDER VALVES SEPARATELY.	\$654	\$788	\$876

\*\*Cal Green compliant





**1-540** 3/4" Thermostatic Rough-in Valve  
 Flow rate of 18 gallons per minute at 60 PSI.  
 Factory calibrated comfort setting at 100-deg F,  
 built-in check valves with service stops.  
 IAPMO Listed. Meets ASSE Standard 1016.  
**MUST USE WITH SEPARATE STOP/VOLUME CONTROL**

\$794 — —



**2-260** 3/4" Valve trim extension kit  
 Extends 1-3/8". Please specify finish.

\$190 \$259 \$311



**3-727** 3/4" Diverter/Flow Control Trim  
 Use with stop or diverter valves, see page 355.

\$213 \$298 \$373



**1-606U** 1/2" inlet/outlet universal stop valve.  
 (clockwise off, for cross or lever handle)

\$195 — —

**1-607U** 3/4" inlet/outlet universal stop valve.  
 (clockwise off, for cross or lever handle)

\$265 — —



**1-617** 1/2" In-wall 2 & 3 way diverter valve  
 1 inlet, 3 outlets.\*\*

\$279 — —

1/2" in-wall diverter valves\* with:



\*SEE PAGES 312-315  
 FOR HOW TO USE  
 THESE DIVERTERS.

**1-701** 3 function with off. 1 inlet, 3 outlets.\*\* \$334 — —

**1-702** 5 function with share and off. 1 inlet, 3 outlets. \$334 — —

**1-703** 3 function with pause. 1 inlet, 3 outlets.\*\* \$334 — —

**1-704** 2 function with off. 1 inlet, 2 outlets.\*\* \$334 — —

**1-705** 3 function with share and off. 1 inlet, 2 outlets. \$334 — —

**1-706** 2 function with pause. 1 inlet, 2 outlets.\*\* \$334 — —

**1-707** 3 function with share (no off). 1 inlet, 2 outlets. \$334 — —



**1600-1230** 18" Towel Bar \$154 \$185 \$251

**1600-1250** 24" Towel Bar \$159 \$189 \$256

TAFT - 2940



1600-1200 8" Towel Bar

\$143 \$167 \$228



1600-1660 Double Robe Hook

\$93 \$113 \$154



1600-1500 Double Post Toilet Tissue Holder

\$177 \$213 \$291

**HOW TO ORDER:** **STEP 1: Select Decorative Rings and Mounting Kit**  
**STEP 2: Select Grab Bar Tube**



**STEP 1:** 920-2400 Decorative Rings and Mounting Kit

\$160 \$218 \$274

- STEP 2:**
- 5080 12" Grab Bar Tube
  - 5081 16" Grab Bar Tube
  - 5082 18" Grab Bar Tube
  - 5083 24" Grab Bar Tube
  - 5085 36" Grab Bar Tube

\$140 \$206 \$230  
 \$166 \$233 \$293  
 \$187 \$260 \$285  
 \$224 \$301 \$347  
 \$330 \$410 \$485



Sold as complete unit

920-3942 42" Grab Bar



\$599 \$781 \$944



Available Finishes:		PC	PN	SN
<b>2622-24</b>	24" Double Towel Bar	\$276	\$328	



Available Finishes:		PC	PN	SN
<b>2609</b>	Hanging Toilet Tissue Holder	\$186	\$220	




Available Finishes:		PC	PN	SN
<b>2636T</b>	12" Shelf With Towel Bar	\$225	\$259	



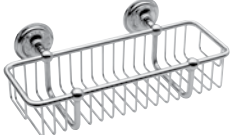
Available Finishes:		PC	PN	SN
<b>2619T-24</b>	24" Shelf with Towel Bar	\$300	\$360	




Available Finishes:		PC	PN	SN
<b>2635T-24</b>	24" Gallery Rail Shelf	\$300	\$360	




Available Finishes:		PC	PN	SN
<b>26550</b>	Soap Basket	\$197	\$236	



Available Finishes:		PC	PN	SN
<b>26551</b>	10" Toiletry Basket	\$322	\$382	




Available Finishes:		PC	PN	SN
<b>26552</b>	12" Toiletry Basket	\$402	\$481	



Available Finishes:		PC	PN	SN
<b>26554</b>	9" Corner Basket	\$340	\$407	



Available Finishes:		PC	PN	SN
<b>2681</b>	Single Light White Fabric Shade	\$239	\$281	



Available Finishes:		PC	PN	SN
<b>2641</b>	18.63" x 30.65" Overall Frameless Pivoting Mirror	\$452	\$519	



Available Finishes:		PC	PN	SN
<b>2642</b>	23.60" x 36.65" Overall Frameless Pivoting Mirror	\$485	\$554	

# TOLMIN

3320 | 3330 | 3380 | 3390 | 3400 | 3410



LAVATORY FAUCETS | TUB & SHOWER | ACCESSORIES | GRAB BARS



**3320** Widespread Lavatory Faucet  
Lever Handles. 1/2" valves. 8" centers.  
Spout c-c 6.01".

\$943 \$1,320 \$1,650



**3330** Widespread Lavatory Faucet  
Cross Handles. 1/2" valves. 8" centers.  
Spout c-c 6.01".

\$943 \$1,320 \$1,650



**3320C** Widespread Lavatory Faucet  
Lever Handles. 1/2" valves.  
8" centers. Spout c-c 7.13".

\$1,038 \$1,452 \$1,814



**3330C** Widespread Lavatory Faucet  
Cross Handles. 1/2" valves.  
8" centers. Spout c-c 7.13".

\$1,038 \$1,452 \$1,814

**NEW**



**3380** Widespread Lavatory Faucet  
1/2" valves. 8" centers.  
Spout c-c 5.25".

\$943 \$1,320 \$1,650

**NEW**



**3390** Widespread Lavatory Faucet  
1/2" valves. 8" centers.  
Spout c-c 5.25".

\$943 \$1,320 \$1,650

**NEW**



**3400**

Widespread Lavatory Faucet  
1/2" valves. 8" centers.  
Spout c-c 5.54".

\$1,052

\$1,421

\$1,631

**NEW**



**3410**

Widespread Lavatory Faucet  
1/2" valves. 8" centers.  
Spout c-c 5.54".

\$1,052

\$1,421

\$1,631



**3-3321**

Wall Mount Lavatory Faucet  
Lever Handles. Spout c-c 8.25".  
8" centers. Drain not included. See  
Brasstech #330, 3301, 3302 or 3303.  
MUST ORDER VALVES SEPARATELY.

\$792

\$1,108

\$1,384

**1-532U**

2-valve rough with 1/2" NPT inlets & outlet.

\$358

—

—



**3-3331**

Wall Mount Lavatory Faucet  
Cross Handles. Spout c-c 8.25".  
8" centers. Drain not included. See  
Brasstech #330, 3301, 3302 or 3303.  
MUST ORDER VALVES SEPARATELY.

\$792

\$1,108

\$1,384

**1-532U**

2-valve rough with 1/2" NPT inlets & outlet.

\$358

—

—



**5-3322BP**

BP Tub and Shower Trim. Lever Handle.  
Less tub spout, showerhead, arm and flange.  
MUST ORDER VALVE SEPARATELY.

\$522

\$543

\$627

**1-685**

Newport Brass BP Valve with diverter, 4 port with  
service stops, universal 1/2" NPT & direct sweat  
connections.

\$384

—

—

**See Shower & Drain Sections to complete shower.**



**5-3332BP**

BP Tub and Shower Trim. Cross Handle.  
Less tub spout, showerhead, arm and flange.  
MUST ORDER VALVE SEPARATELY.

\$522

\$543

\$627

**1-685**

Newport Brass BP Valve with diverter, 4 port with  
service stops, universal 1/2" NPT & direct sweat  
connections.

\$384

—

—

**See Shower & Drain Sections to complete shower.**



**4-3324BP**

BP Shower Trim Plate with Handle. Lever Handle.  
Less showerhead, arm and flange.  
MUST ORDER VALVE SEPARATELY.

\$438

\$539

\$607

**1-684**

Newport Brass BP Valve, 3 port with service stops,  
universal 1/2" NPT & direct sweat connections.

\$278

—

—

**See Shower & Drain Sections to complete shower.**



**4-3334BP**

BP Shower Trim Plate with Handle. Cross Handle.  
Less showerhead, arm and flange.  
MUST ORDER VALVE SEPARATELY.

\$438

\$539

\$607

**1-684**

Newport Brass BP Valve, 3 port with service stops,  
universal 1/2" NPT & direct sweat connections.

\$278

—

—

**See Shower & Drain Sections to complete shower.**

TOLMIN - 3320, 3300



**3-724** Tub Spout  
1/2" NPT inlet fitting.  
8.69" spout overall length.

\$300 \$384 \$426



**3-3325** Wall Mount Tub Faucet  
Lever Handles. Spout c-c 9.94".  
MUST ORDER VALVES SEPARATELY.

\$666 \$864 \$999



**1-500U** 2-valve rough with 1/2" NPT inlets & outlet.

\$358 — —



**3-3335** Wall Mount Tub Faucet  
Cross Handles. Spout c-c 9.94".  
MUST ORDER VALVES SEPARATELY.

\$666 \$864 \$999



**1-500U** 2-valve rough with 1/2" NPT inlets & outlet.

\$358 — —



**3-3326** Roman Tub Faucet  
Lever Handles. Spout c-c 8.25".  
MUST ORDER VALVES SEPARATELY.

\$960 \$1,251 \$1,444



**1-697** 3/4" valve for above.  
Quick connect included.

\$438 — —



**3-3336** Roman Tub Faucet  
Cross Handles. Spout c-c 8.25".  
MUST ORDER VALVES SEPARATELY.

\$960 \$1,251 \$1,444



**1-697** 3/4" valve for above.  
Quick connect included.

\$438 — —



**3-3327** Roman Tub Faucet with Handshower  
Lever Handles. Spout c-c 8.25".  
MUST ORDER VALVES SEPARATELY.

\$1,294 \$1,683 \$1,941



**1-698** 3/4" valve for above.  
Includes hose & quick connect.

\$883 — —



**3329** Bidet Set  
Lever Handles. 1/2" valves.  
Includes bottom spray with  
vacuum breaker. 4 hole mount bidet.

\$1,467 \$2,053 \$2,465



**3-3323TR** 1/2" Thermostatic Trim Plate with Lever Handle  
Integrated diverter handle with independent  
temperature control.  
MUST ORDER VALVE SEPARATELY.

\$649 \$835 \$1,038



**3-3333TR** 1/2" Thermostatic Trim Plate with Cross Handle  
Integrated diverter handle with independent temperature control.  
MUST ORDER VALVE SEPARATELY.

\$649

\$835

\$1,038



1-741

**1-741** 1/2" Thermostatic Rough-in Valve 1-Port  
**1-742** 1/2" Thermostatic Rough-in Valve 2-Port\*\*  
**1-743** 1/2" Thermostatic Rough-in Valve 3-Port - Shared  
**1-744** 1/2" Thermostatic Rough-in Valve 3-Port\*\*  
**1-745** 1/2" Thermostatic Rough-in Valve 2-Port - Shared  
See page 348 for more details..

\$524

—

—

\$627

—

—

\$686

—

—

\$686

—

—

\$627

—

—



**20-146** 1/2" Valve Trim Extension Kit  
Extends 1-3/8". Please specify finish.

\$273

\$368

\$423



**3-3324TR** 3/4" Thermostatic Trim Plate with Lever Handle  
MUST ORDER VALVES SEPARATELY.

\$549

\$683

\$771



**3-3334TR** 3/4" Thermostatic Trim Plate with Cross Handle  
MUST ORDER VALVES SEPARATELY.

\$549

\$683

\$771



**1-540** 3/4" Thermostatic Rough-in Valve  
Flow rate of 18 gallons per minute at 60 PSI.  
Factory calibrated comfort setting at 100-deg F,  
built-in check valves with service stops.  
IAPMO Listed. Meets ASSE Standard 1016.  
MUST USE WITH SEPARATE STOP/VOLUME CONTROL

\$794

—

—



**2-260** 3/4" Valve trim extension kit  
Extends 1-3/8". Please specify finish.

\$190

\$259

\$311



**3-721** Diverter/Flow Control Trim. Lever Handle.  
Use with stop or diverter valves, see page 355.

\$213

\$298

\$373



**3-722** Diverter/Flow Control Trim. Cross Handle. \$213 \$298 \$373  
Use with stop or diverter valves, see page 355.



**1-606U** 1/2" inlet/outlet universal stop valve. \$195 — —  
(clockwise off, for cross or lever handle)  
**1-607U** 3/4" inlet/outlet universal stop valve. \$265 — —  
(clockwise off, for cross or lever handle)



**1-617** 1/2" In-wall 2 & 3 way diverter valve \$279 — —  
1 inlet, 3 outlets.\*\*

1/2" in-wall diverter valves\* with:



\*SEE PAGES 312-315  
FOR HOW TO USE  
THESE DIVERTERS.

**1-701** 3 function with off. 1 inlet, 3 outlets.\*\* \$334 — —  
**1-702** 5 function with share and off. 1 inlet, 3 outlets. \$334 — —  
**1-703** 3 function with pause. 1 inlet, 3 outlets.\*\* \$334 — —  
**1-704** 2 function with off. 1 inlet, 2 outlets.\*\* \$334 — —  
**1-705** 3 function with share and off. 1 inlet, 2 outlets. \$334 — —  
**1-706** 2 function with pause. 1 inlet, 2 outlets.\*\* \$334 — —  
**1-707** 3 function with share (no off). 1 inlet, 2 outlets. \$334 — —



**990-1200** 8" Towel Bar \$128 \$155 \$224



**990-1230** 18" Towel Bar \$170 \$202 \$293  
**990-1250** 24" Towel Bar \$179 \$216 \$306



**990-1650** Single Robe Hook \$67 \$83 \$120





**990-1660** Robe Hook

\$89 \$106 \$154



**990-1570** Open Toilet Tissue Holder

\$114 \$139 \$201



**990-1500** Double Post Toilet Tissue Holder

\$182 \$217 \$314

**HOW TO ORDER:** **STEP 1:** Select Decorative Rings and Mounting Kit  
**STEP 2:** Select Grab Bar Tube



**STEP 1:** **990-2400** Decorative Rings and Mounting Kit

\$160 \$218 \$274

**STEP 2:**  
**5080** 12" Grab Bar Tube  
**5081** 16" Grab Bar Tube  
**5082** 18" Grab Bar Tube  
**5083** 24" Grab Bar Tube  
**5085** 36" Grab Bar Tube

\$140 \$206 \$230  
 \$166 \$233 \$293  
 \$187 \$260 \$285  
 \$224 \$301 \$347  
 \$330 \$410 \$485



Sold as complete unit

**990-3942** 42" Grab Bar

\$599 \$781 \$944





Available Finishes:		PC	SN
<b>0222-24</b>	24" Double Towel Bar	\$317	\$367



Available Finishes:		PC	SN
<b>0218CT-10-10</b>	Corner Shelf	\$129	\$159



Available Finishes:		PC	SN
<b>0218T-18</b>	18" Shelf	\$158	\$189



Available Finishes:		PC	SN
<b>0219T-18</b>	18" Shelf with Towel Bar	\$385	\$463



Available Finishes:		PC	SN
<b>0234T-18</b>	18" Shelf	\$192	\$230



Available Finishes:		PC	SN
<b>0240-24</b>	24" Hotel Shelf	\$413	\$484



Available Finishes:		PC	SN
<b>0243-24</b>	24" Hotel Shelf w/towel bar	\$512	\$591

# VANDER

## 2910



LAVATORY FAUCETS | TUB & SHOWER | ACCESSORIES



**2910** Widespread Lavatory Faucet  
Lever Handles.  
1/2" valves. Spout c-c 5.82".  
8" centers.

\$1,189    \$1,546    \$1,778



**5-2912BP** BP Shower Trim. Lever Handle.  
Less tub spout, showerhead, arm and flange.  
**MUST ORDER VALVE SEPARATELY.**

\$593    \$771    \$885



**1-685** Newport Brass BP Valve with diverter, 4 port with  
service stops, universal 1/2" NPT & direct sweat  
connections.  
**See Shower & Drain Sections to complete shower.**

\$384    —    —

**4-2914BP** BP Shower Trim. Lever Handle.  
Less showerhead, arm and flange.  
**MUST ORDER VALVE SEPARATELY.**

\$502    \$654    \$753

**1-684** Newport Brass BP Valve, 3 port with service stops,  
universal 1/2" NPT & direct sweat connections.  
**See Shower & Drain Sections to complete shower.**

\$278    —    —



**20-131** Tub Spout  
1/2" NPT inlet fitting.  
6.71" spout overall length.

\$240    \$334    \$381



**3-2915** Wall Mount Tub Faucet. Lever Handles.  
Spout c-c 6.05".  
**MUST ORDER VALVES SEPARATELY.**

\$895    \$1,161    \$1,337



**1-500U** 2-valve rough with 1/2" NPT inlets & outlet.

\$358    —    —



**3-2916** Roman Tub Faucet. Lever Handles.  
Spout c-c 9.12".  
**MUST ORDER VALVES SEPARATELY.**

\$1,272    \$1,647    \$1,895

**1-665** 3/4" valve for above. Includes quick connect.

\$438    —    —

VANDER - 2900, 2910



<b>3-2917</b>	Roman Tub Faucet with Handshower. Lever Handles. Spout c-c 9.12". MUST ORDER VALVES SEPARATELY.	\$1,874	\$2,441	\$2,806
<b>1-666</b>	3/4" valve for above. Includes hose and quick connect.	\$883	—	—



<b>2919</b>	Bidet Set. Lever Handles. 1/2" valves. Includes bottom spray with vacuum breaker, 4 hole mount bidet.	\$1,450	\$1,884	\$2,165
-------------	---	---------	---------	---------



<b>3-2913TR</b>	1/2" Thermostatic Trim Plate with Handles Integrated diverter handle with independent temperature control. MUST ORDER VALVE SEPARATELY.	\$734	\$927	\$1,066
-----------------	---	-------	-------	---------



1-741

<b>1-741</b>	1/2" Thermostatic Rough-in Valve 1-Port	\$524	—	—
<b>1-742</b>	1/2" Thermostatic Rough-in Valve 2-Port**	\$627	—	—
<b>1-743</b>	1/2" Thermostatic Rough-in Valve 3-Port - Shared	\$686	—	—
<b>1-744</b>	1/2" Thermostatic Rough-in Valve 3-Port**	\$686	—	—
<b>1-745</b>	1/2" Thermostatic Rough-in Valve 2-Port - Shared	\$627	—	—

See page 348 for more details.



<b>20-146</b>	1/2" Valve Trim Extension Kit Extends 1-3/8". Please specify finish.	\$273	\$368	\$423
---------------	--	-------	-------	-------



<b>3-2914TR</b>	3/4" Thermostatic Trim Plate with Handles MUST ORDER VALVE SEPARATELY.	\$753	\$980	\$1,126
-----------------	--	-------	-------	---------



<b>1-540</b>	3/4" Thermostatic Rough-in Valve Flow rate of 18 gallons per minute at 60 PSI. Factory calibrated comfort setting at 100-deg F, built-in check valves with service stops. IAPMO Listed. Meets ASSE Standard 1016. MUST USE WITH SEPARATE STOP/VOLUME CONTROL	\$794	—	—
--------------	--	-------	---	---



<b>2-260</b>	3/4" Valve trim extension kit Extends 1-3/8". Please specify finish.	\$190	\$259	\$311
--------------	--	-------	-------	-------



**3-561** Diverter/Flow Control Trim. Lever Handle. \$264 \$355 \$408  
Use with stop or diverter valves, see page 355.



**1-606U** 1/2" inlet/outlet universal stop valve. \$195 — —  
(clockwise off, for cross or lever handle)

**1-607U** 3/4" inlet/outlet universal stop valve. \$265 — —  
(clockwise off, for cross or lever handle)



**1-617** 1/2" In-wall 2 & 3 way diverter valve \$279 — —  
1 inlet, 3 outlets.\*\*

1/2" in-wall diverter valves\* with:



\*SEE PAGES 312-315  
FOR HOW TO USE  
THESE DIVERTERS.

**1-701** 3 function with off. 1 inlet, 3 outlets.\*\* \$334 — —  
**1-702** 5 function with share and off. 1 inlet, 3 outlets. \$334 — —  
**1-703** 3 function with pause. 1 inlet, 3 outlets.\*\* \$334 — —  
**1-704** 2 function with off. 1 inlet, 2 outlets.\*\* \$334 — —  
**1-705** 3 function with share and off. 1 inlet, 2 outlets. \$334 — —  
**1-706** 2 function with pause. 1 inlet, 2 outlets.\*\* \$334 — —  
**1-707** 3 function with share (no off). 1 inlet, 2 outlets. \$334 — —



**40-02** 24" Towel Bar \$250 \$299 \$398



**40-10** Open Towel Ring \$204 \$246 \$317



**40-13** Double Robe Hook \$233 \$289 \$362

VANDER - 2900, 2910



**40-28** Double Post Toilet Tissue Holder \$233 \$282 \$370

**HOW TO ORDER:** **STEP 1:** Select Decorative Rings and Mounting Kit  
**STEP 2:** Select Grab Bar Tube



**STEP 1:** **2440-2400** Decorative Rings and Mounting Kit \$259 \$383 \$429

**STEP 2:**

<b>5080</b>	12" Grab Bar Tube	\$140	\$206	\$230
<b>5081</b>	16" Grab Bar Tube	\$166	\$233	\$293
<b>5082</b>	18" Grab Bar Tube	\$187	\$260	\$285
<b>5083</b>	24" Grab Bar Tube	\$224	\$301	\$347
<b>5085</b>	36" Grab Bar Tube	\$330	\$410	\$485



**2440-3942** 42" Grab Bar \$691 \$933 \$1,074

Sold as complete unit






Available Finishes:		PC	PN SN
<b>4802</b>	18" Towel Bar	\$233	\$289



Available Finishes:		PC	PN SN
<b>4827</b>	Double Post Toilet Tissue Holder w/Glass Cover	\$269	\$324



Available Finishes:		PC	PN SN
<b>4817</b>	Valet Hook	\$263	\$290



**\*\*Mirror tilts 4.5° with mechanism.**

Available Finishes:		PC	PN SN
<b>642</b>	26.40" x 36" Overall Framed Mirror	\$774	\$931
<b>MTM-009</b>	Tilting Mechanism Optional**	\$88	\$88

# VICTORIA

1760 | 1770



LAVATORY FAUCETS | TUB & SHOWER | TANK LEVER | ACCESSORIES | GRAB BARS



1760

Widespread Lavatory Faucet  
Cross Handles. 1/2" valves.  
Spout c-c 5.93". 8" centers.

\$1,042 \$1,430 \$1,642



1770

Widespread Lavatory Faucet  
Lever Handles. 1/2" valves.  
Spout c-c 5.93". 8" centers.

\$1,042 \$1,430 \$1,642



3-1761

Wall Mount Lavatory Faucet  
Cross Handles. Spout c-c 7.70". 8" centers.  
Drain not included. For sink drain to use  
with No. 9301. See Brasstech  
# 330, 3301, 3302 or 3303.  
MUST ORDER VALVES SEPARATELY.

\$798 \$1,036 \$1,199

1-532U

2-valve rough with 1/2" NPT inlets & outlets.

\$358 — —



3-1771

Wall Mount Lavatory Faucet  
Lever Handles. Spout c-c 7.70". 8" centers.  
Drain not included. See Brasstech  
# 330, 3301, 3302 or 3303.  
MUST ORDER VALVES SEPARATELY.

\$798 \$1,036 \$1,199

1-532U

2-valve rough with 1/2" NPT inlets & outlet.

\$358 — —



5-1762BP

BP Tub & Shower Trim. Cross Handle.  
Less tub spout, showerhead, arm and flange.  
MUST ORDER VALVE SEPARATELY.

\$569 \$741 \$855

1-685

Newport Brass BP Valve with diverter, 4 port with  
service stops, universal 1/2" NPT & direct sweat  
connections.

\$384 — —

See Shower & Drain Sections to complete shower.



5-1772BP

BP Tub & Shower Trim. Lever Handle.  
Less tub spout, showerhead, arm and flange.  
MUST ORDER VALVE SEPARATELY.

\$569 \$741 \$855

1-685

Newport Brass BP Valve with diverter, 4 port with  
service stops, universal 1/2" NPT & direct sweat  
connections.

\$384 — —

See Shower & Drain Sections to complete shower.





**4-1764BP** BP Shower Trim. Cross Handle.  
Less showerhead, arm and flange.  
MUST ORDER VALVE SEPARATELY.

**1-684** Newport Brass BP Valve, 3 port with service stops,  
universal 1/2" NPT & direct sweat connections.

**See Shower & Drain Sections to complete shower.**

\$480 \$624 \$719

\$278 — —



**4-1774BP** BP Shower Trim. Lever Handle.  
Less showerhead, arm and flange.  
MUST ORDER VALVE SEPARATELY.

**1-684** Newport Brass BP Valve, 3 port with service stops,  
universal 1/2" NPT & direct sweat connections.

**See Shower & Drain Sections to complete shower.**

\$480 \$624 \$719

\$278 — —



**3-667** Tub Spout  
1/2" NPT inlet fitting.  
9.42" spout overall length.

\$314 \$394 \$425



**3-1765** Wall Mount Tub Faucet  
Cross Handles. Spout c-c 8.87".  
MUST ORDER VALVES SEPARATELY.

\$798 \$1,036 \$1,199

**1-500U** 2-valve rough with 1/2" NPT inlets & outlet.

\$358 — —



**3-1775** Wall Mount Tub Faucet  
Lever Handles. Spout c-c 8.87".  
MUST ORDER VALVES SEPARATELY.

\$798 \$1,036 \$1,199

**1-500U** 2-valve rough with 1/2" NPT inlets & outlet.

\$358 — —



**3-1766** Roman Tub Faucet  
Cross Handles. Spout c-c 8.40".  
MUST ORDER VALVES SEPARATELY.

\$1,199 \$1,559 \$1,798

**1-586** 3/4" valve only for above. Quick connect included.

\$438 — —



**3-1776** Roman Tub Faucet  
Lever Handles Spout c-c 8.40".  
MUST ORDER VALVES SEPARATELY.

\$1,199 \$1,559 \$1,798

**1-586** 3/4" valve only for above. Quick connect included.

\$438 — —



**3-1767** Roman Tub Faucet with Handshower  
Cross Handles. Spout c-c 8.40".  
MUST ORDER VALVES SEPARATELY.

\$1,559 \$2,028 \$2,336

**1-587** 3/4" valve only for above. Includes hose and  
quick connect.

\$883 — —



**3-1777**

Roman Tub Faucet with Handshower  
Lever Handles. Spout 8.40" c-c 11".  
MUST ORDER VALVES SEPARATELY.

\$1,559 \$2,028 \$2,336

**1-587**

3/4" valve for above. Includes hose and  
quick connect.

\$883 — —



**1760-4272** Exposed Tub and Hand Shower Set - Deck Mount  
Cross Handles.  
7.25" centers. Spout c-c 9.11".  
Includes: 281 Hand Shower

\$1,805 \$2,300 \$2,795



**1770-4273** Exposed Tub and Hand Shower Set - Deck Mount  
Lever Handles.  
7.25" centers. Spout c-c 9.11".  
Includes: 281 Hand Shower

\$1,805 \$2,300 \$2,795



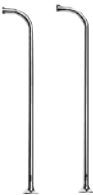
**1760-4282** Exposed Tub and Hand Shower Set - Wall Mount  
Cross Handles.  
6" centers. Spout c-c 7".  
Includes: 281 Hand Shower  
Floor-mount kit item 3-196  
or 3-226 sold separately.

\$1,723 \$2,214 \$2,683



**1770-4283** Exposed Tub and Hand Shower Set - Wall Mount  
Lever Handles.  
6" centers. Spout c-c 7".  
Includes: 281 Hand Shower  
Floor-mount kit item 3-196  
or 3-226 sold separately.

\$1,723 \$2,214 \$2,683



**3-196** Floor Mount Kit for Exposed Tub Sets  
Set includes: 2 each Floor Flanges  
2 each 3/4" Risers - 31" high.  
Stabilizer kit sold separately.

\$637 \$888 \$1,066

**3-226** Same as above only 24" high.

\$612 \$855 \$1,029

**3-192** 3/4" Shut-off Valves for above (1 pair hot & cold).

\$896 \$1,065 \$1,278



**1-378** Optional Rough For Exposed Tub Filler  
For subfloor or concrete floor installations.  
3.65" overall height.  
10.38" x 5" overall base size.  
Universal 1/2" NPT connections. Test caps included.  
For use with 3-196 or 3-226 tub risers.

\$440 — —



**2-734** Stabilizer Kit for Exposed Tub Floor Riser Kits  
Adjustable for risers that are 6" to 9" apart.  
Includes 1-1/2" finished ring for connecting kit to  
tub overflow pipe. Finished plate for wall mounting  
up to 10" center of riser pipes.

\$314 \$406 \$435

	<b>1779</b>	Bidet Set Lever Handles. 1/2" valves. Includes bottom spray with vacuum breaker, 4 hole mount bidet.	\$1,795	\$2,399	\$2,878
	<b>3-1763TR</b>	1/2" Thermostatic Trim Plate with Handles Integrated diverter handle with independent temperature control.  MUST ORDER VALVE SEPARATELY.	\$597	\$789	\$905
	<b>1-741</b> <b>1-742</b> <b>1-743</b> <b>1-744</b> <b>1-745</b>	1/2" Thermostatic Rough-in Valve 1-Port 1/2" Thermostatic Rough-in Valve 2-Port** 1/2" Thermostatic Rough-in Valve 3-Port - Shared 1/2" Thermostatic Rough-in Valve 3-Port** 1/2" Thermostatic Rough-in Valve 2-Port - Shared See page 348 for more details.	\$524 \$627 \$686 \$686 \$627	— — — — —	— — — — —
	<b>20-146</b>	1/2" Valve Trim Extension Kit Extends 1-3/8". Please specify finish.	\$273	\$368	\$423
	<b>3-1764TR</b>	3/4" Thermostatic Trim Plate with Handle MUST ORDER VALVE SEPARATELY.	\$638	\$831	\$960
	<b>1-540</b>	3/4" Thermostatic Rough-in Valve Flow rate of 18 gallons per minute at 60 PSI. Factory calibrated comfort setting at 100-deg F, built-in check valves with service stops. IAPMO Listed. Meets ASSE Standard 1016.  MUST USE WITH SEPARATE STOP/VOLUME CONTROL	\$794	—	—
	<b>2-260</b>	3/4" Valve trim extension kit Extends 1-3/8" . Please specify finish.	\$190	\$259	\$311
	<b>3-322</b>	Diverter/Flow Control Trim Use with stop or diverter valves, see page 355.	\$246	\$334	\$400



**3-323** Diverter/Flow Control Trim \$246 \$334 \$400  
 Use with stop or diverter valves, see page 355.



**1-606U** 1/2" inlet/outlet universal stop valve. \$195 — —  
 (clockwise off, for cross or lever handle)  
**1-607U** 3/4" inlet/outlet universal stop valve. \$265 — —  
 (clockwise off, for cross or lever handle)



**1-617** 1/2" In-wall 2 & 3 way diverter valve \$279 — —  
 1 inlet, 3 outlets.\*\*

1/2" in-wall diverter valves\* with:



\*SEE PAGES 312-315  
 FOR HOW TO USE  
 THESE DIVERTERS.

**1-701** 3 function with off. 1 inlet, 3 outlets.\*\* \$334 — —  
**1-702** 5 function with share and off. 1 inlet, 3 outlets. \$334 — —  
**1-703** 3 function with pause. 1 inlet, 3 outlets.\*\* \$334 — —  
**1-704** 2 function with off. 1 inlet, 2 outlets.\*\* \$334 — —  
**1-705** 3 function with share and off. 1 inlet, 2 outlets. \$334 — —  
**1-706** 2 function with pause. 1 inlet, 2 outlets.\*\* \$334 — —  
**1-707** 3 function with share (no off). 1 inlet, 2 outlets. \$334 — —



**1600-1230** 18" Towel Bar \$154 \$185 \$251  
**1600-1250** 24" Towel Bar \$159 \$189 \$256



**1600-1200** 8" Towel Bar \$143 \$167 \$228



**1600-1660** Double Robe Hook \$93 \$113 \$154



1600-1500 Double Post Toilet Tissue Holder

\$177 \$213 \$291

**HOW TO ORDER:** **STEP 1:** Select Decorative Rings and Mounting Kit  
**STEP 2:** Select Grab Bar Tube



**STEP 1:** 920-2400 Decorative Rings and Mounting Kit

\$160 \$218 \$274

**STEP 2:**  
 5080 12" Grab Bar Tube  
 5081 16" Grab Bar Tube  
 5082 18" Grab Bar Tube  
 5083 24" Grab Bar Tube  
 5085 36" Grab Bar Tube

\$140 \$206 \$230  
 \$166 \$233 \$293  
 \$187 \$260 \$285  
 \$224 \$301 \$347  
 \$330 \$410 \$485



920-3942 42" Grab Bar

\$599 \$781 \$944

Sold as complete unit



VICTORIA - 1760, 1770



Available Finishes:		PC	PN	SN
<b>2622-24</b>	24" Double Towel Bar	\$276	\$328	



Available Finishes:		PC	PN	SN
<b>2609</b>	Hanging Toilet Tissue Holder	\$186	\$220	



Available Finishes:		PC	PN	SN
<b>2636T</b>	12" Shelf With Towel Bar	\$225	\$259	



Available Finishes:		PC	PN	SN
<b>2619T-24</b>	24" Shelf with Towel Bar	\$300	\$360	



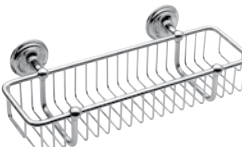
Available Finishes:		PC	PN	SN
<b>2635T-24</b>	24" Gallery Rail Shelf	\$300	\$360	




Available Finishes:		PC	PN	SN
<b>26550</b>	Soap Basket	\$197	\$236	



Available Finishes:		PC	PN	SN
<b>26551</b>	10" Toiletry Basket	\$322	\$382	




Available Finishes:		PC	PN	SN
<b>26552</b>	12" Toiletry Basket	\$402	\$481	



Available Finishes:		PC	PN	SN
<b>26554</b>	9" Corner Basket	\$340	\$407	



Available Finishes:		PC	PN	SN
<b>2681</b>	Single Light White Fabric Shade	\$239	\$281	



Available Finishes:		PC	PN	SN
<b>2641</b>	18.63" x 30.65" Overall Frameless Pivoting Mirror	\$452	\$519	



Available Finishes:		PC	PN	SN
<b>2642</b>	23.60" x 36.65" Overall Frameless Pivoting Mirror	\$485	\$554	

## TUB/SHOWER

BALANCED PRESSURE TRIM SETS . . . . .	PG <a href="#">357</a>
BODY SPRAYS . . . . .	PG <a href="#">343</a>
DECORATIVE DRAINS . . . . .	PG <a href="#">324</a>
DIVERTER/FLOW CONTROL TRIM. . . . .	PG <a href="#">349</a>
FREESTANDING TUB FILLERS . . . . .	PG <a href="#">321</a>
HAND SHOWERS. . . . .	PG <a href="#">333</a>
HAND SHOWER SETS . . . . .	PG <a href="#">335</a>
SHOWER ARM/FLANGES. . . . .	PG <a href="#">329</a>
SHOWERHEADS . . . . .	PG <a href="#">328</a>
SHOWER PARTS . . . . .	PG <a href="#">340</a>
SHOWER TRIM VALVES . . . . .	PG <a href="#">348</a>
SLIDE BARS/SLIDE BARS WITH HANDSHOWERS . . . . .	PG <a href="#">337</a>
TILE-IN DRAIN . . . . .	PG <a href="#">327</a>
TUB SPOUTS . . . . .	PG <a href="#">344</a>

<i>SPECIALTY BATHROOM ACCESSORIES</i> . . . . .	PG <a href="#">356</a>
---	------------------------

<i>TANK LEVERS</i> . . . . .	PG <a href="#">361</a>
------------------------------	------------------------

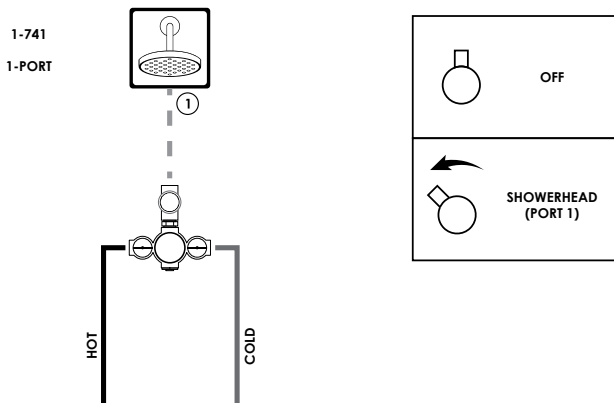
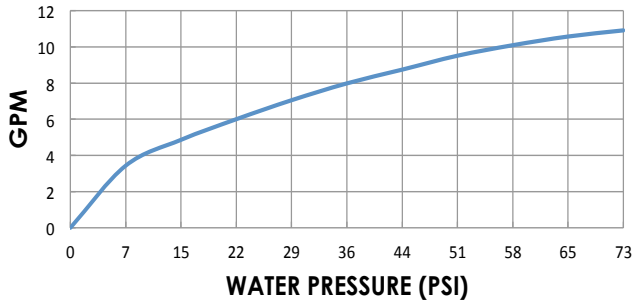
# NEWPORT BRASS® Shower

# 1/2" GENERAL GUIDELINES FOR PLANNING AND LAYOUT

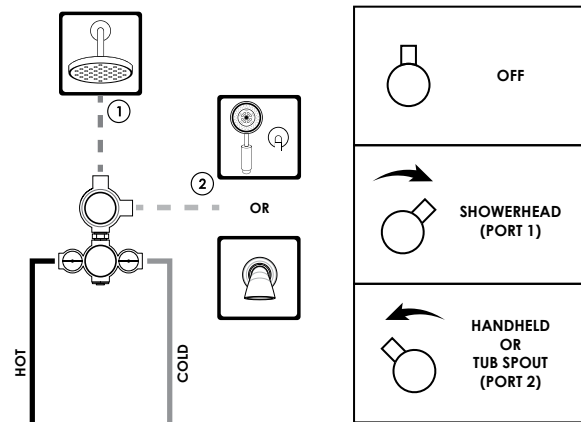
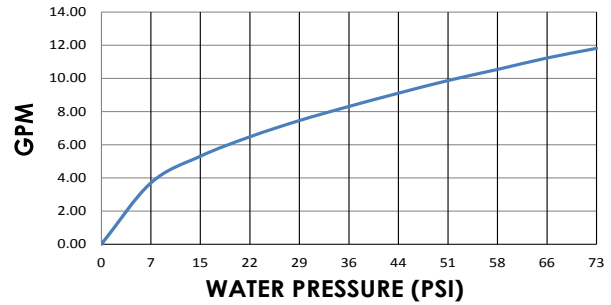
1/2" thermostatic valve will provide automatic temperature control and adequate water flow to operate multiple devices. The temperature control feature is independent of the integrated transfer valve.

The sum total of water consumption of the combined shower outlets must not exceed the rated gallons per minute (gpm) of the thermostatic valve (see flow charts below, as measured from the top outlet, mixed hot & cold).

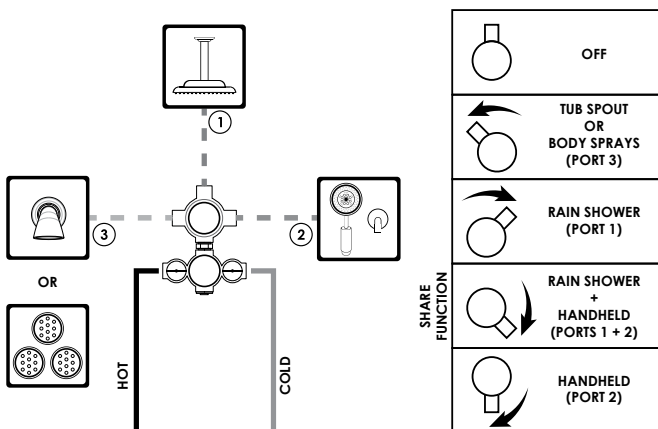
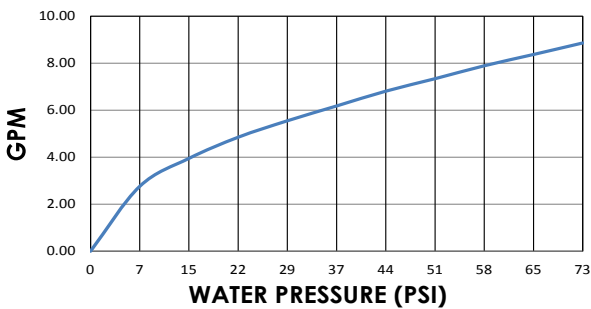
## 1-741 Thermostatic Valve



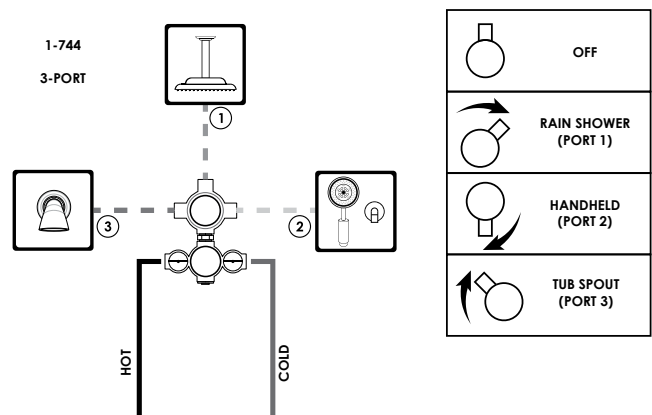
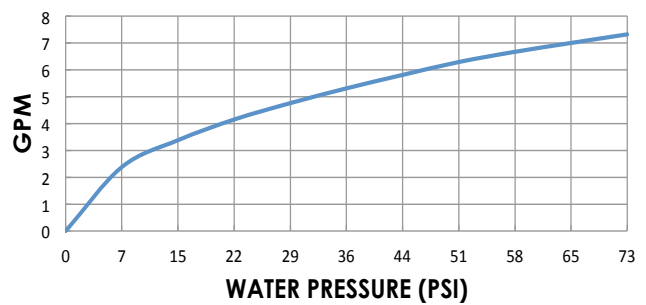
## 1-742 Thermostatic Valve



## 1-743 Thermostatic Valve

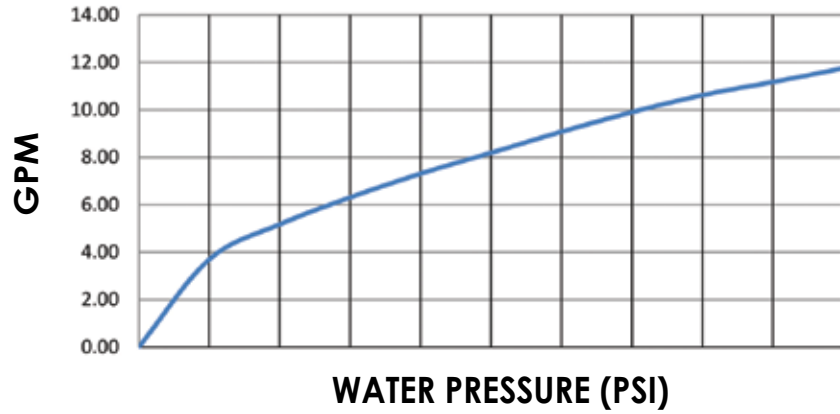


## 1-744 Thermostatic Valve

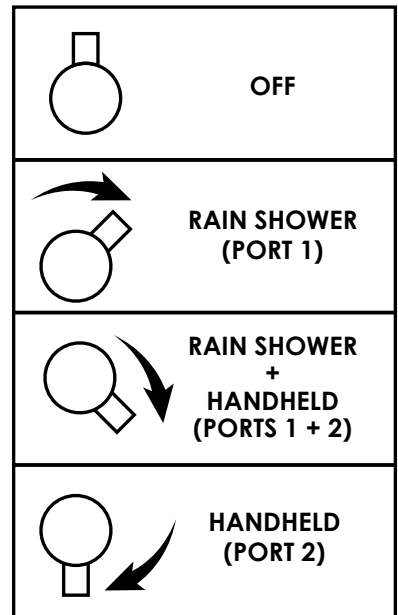
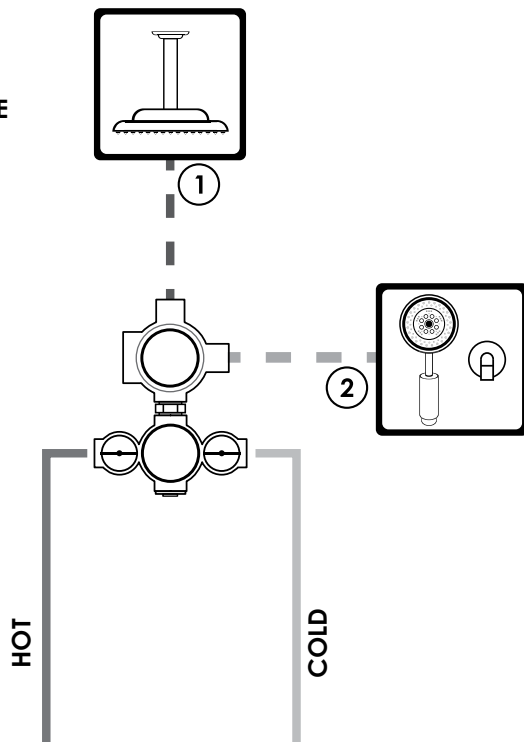




## 1-745 Thermostatic Valve



1-745  
2-PORT w/ SHARE

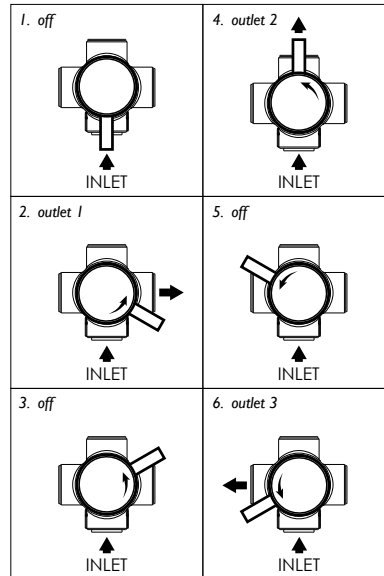
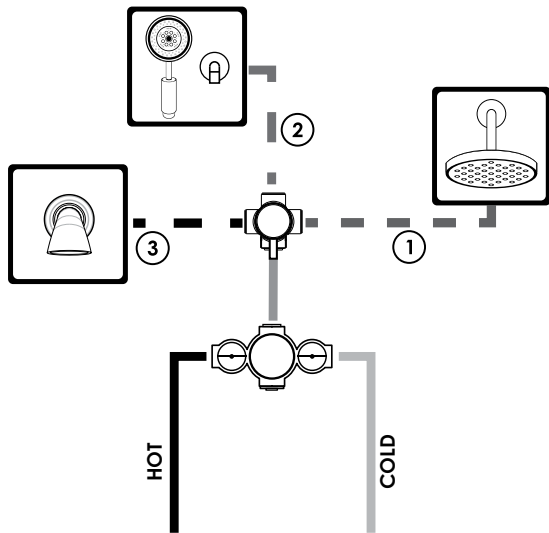


SHOWER

NEWPORT BRASS®

# 3 FUNCTION WITH OFF

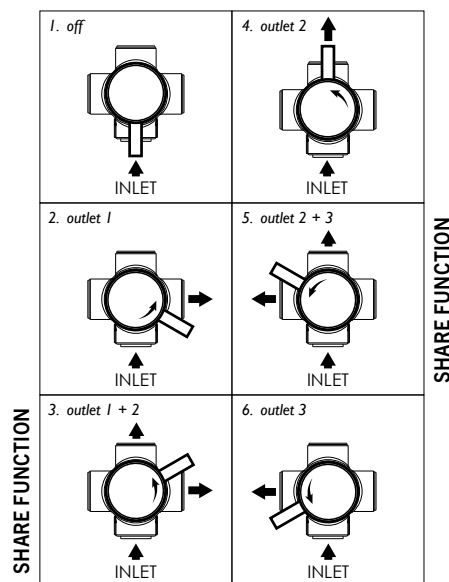
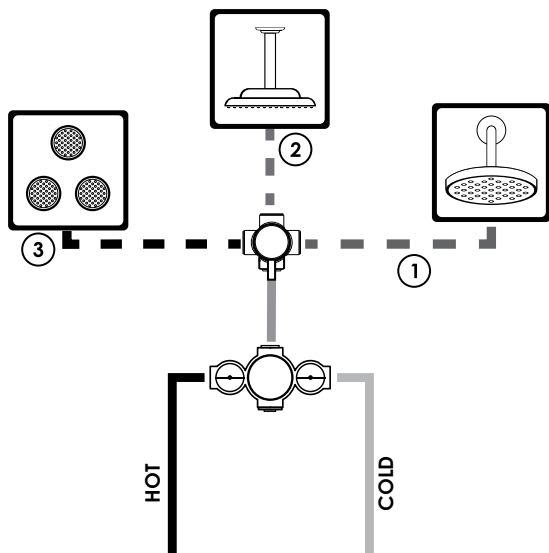
## 1-701



DESIGNED FOR USE WITH 3/4" THERMOSTATIC VALVE (1-540) SOLD SEPARATELY  
NOT DESIGNED TO BE USED WITH BP VALVES

# 5 FUNCTION WITH SHARE AND OFF

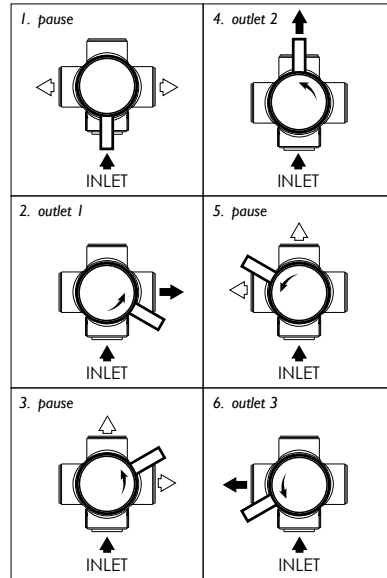
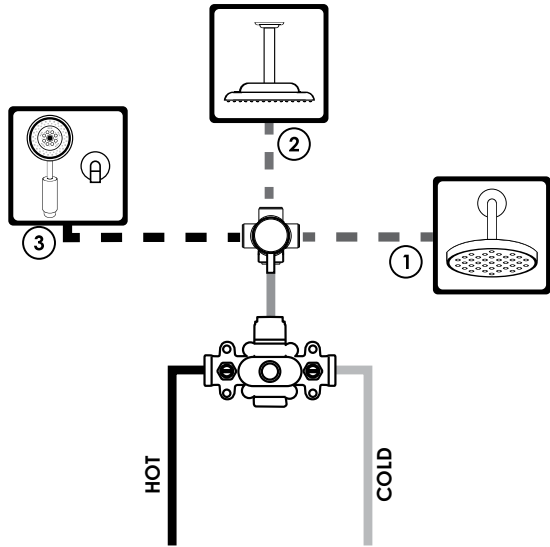
## 1-702



DESIGNED FOR USE WITH 3/4" THERMOSTATIC VALVE (1-540) SOLD SEPARATELY  
NOT DESIGNED TO BE USED WITH BP VALVES

# 3 FUNCTION WITH PAUSE, FOR PRESSURE BALANCE SYSTEM

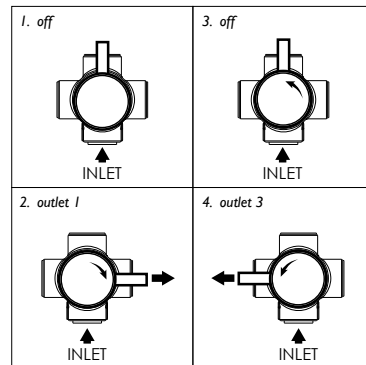
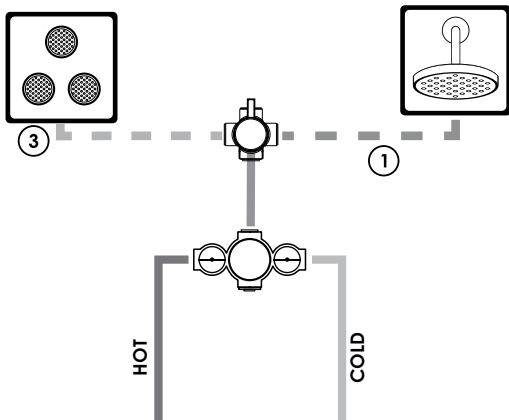
1-703



DESIGNED FOR USE WITH 3-PORT BP VALVE (1-684) SOLD SEPARATELY

# 2 FUNCTION WITH OFF

1-704

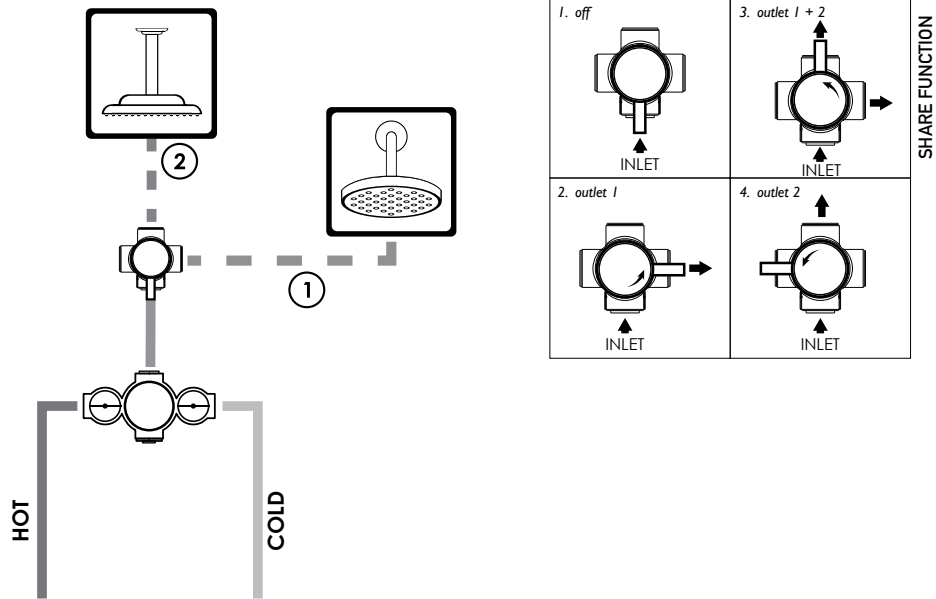


DESIGNED FOR USE WITH 3/4" THERMOSTATIC VALVE (1-540) SOLD SEPARATELY  
NOT DESIGNED TO BE USED WITH BP VALVES

SHOWER

# 3 FUNCTION WITH SHARE AND OFF

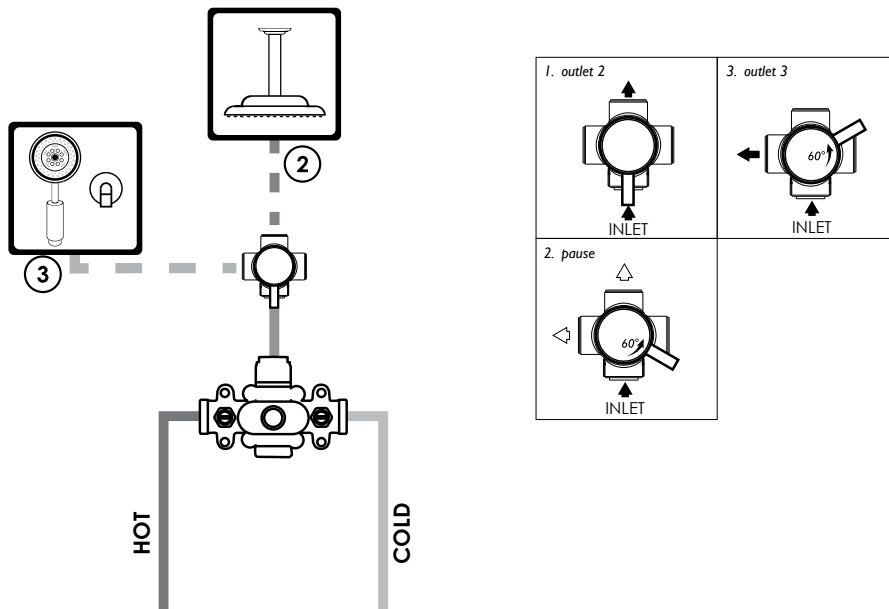
1-705



DESIGNED FOR USE WITH 3/4" THERMOSTATIC VALVE (1-540) SOLD SEPARATELY  
NOT DESIGNED TO BE USED WITH BP VALVES

# 2 FUNCTION FOR PRESSURE BALANCE SYSTEM

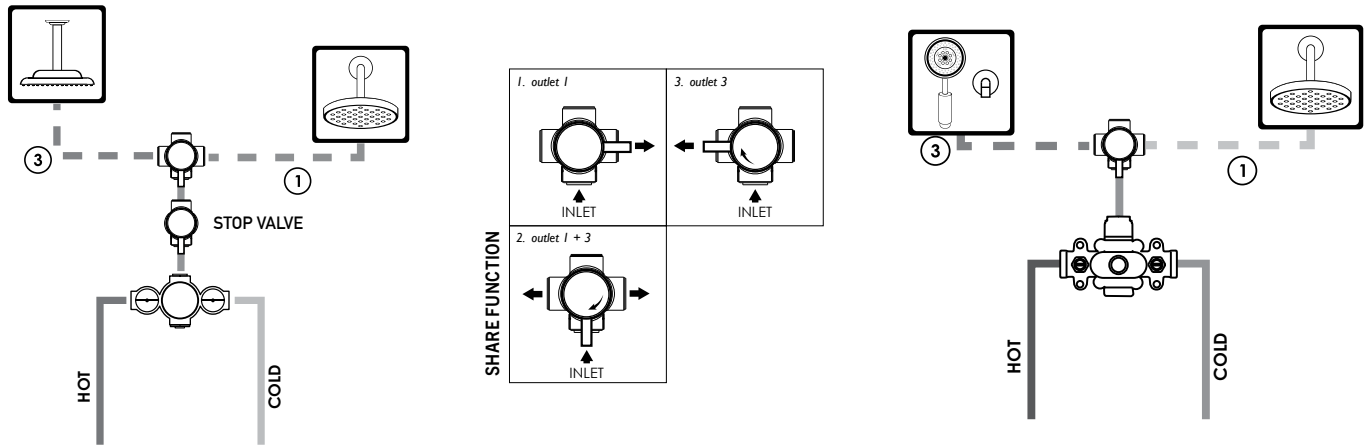
1-706



DESIGNED FOR USE WITH 3-PORT BP VALVE (1-684) SOLD SEPARATELY

# 3 FUNCTION WITH SHARE (NO OFF)

## 1-707



3/4" THERMOSTATIC VALVE 1-540 SETUP SHOWN ABOVE.  
STOP VALVE REQUIRED. SOLD SEPARATELY.

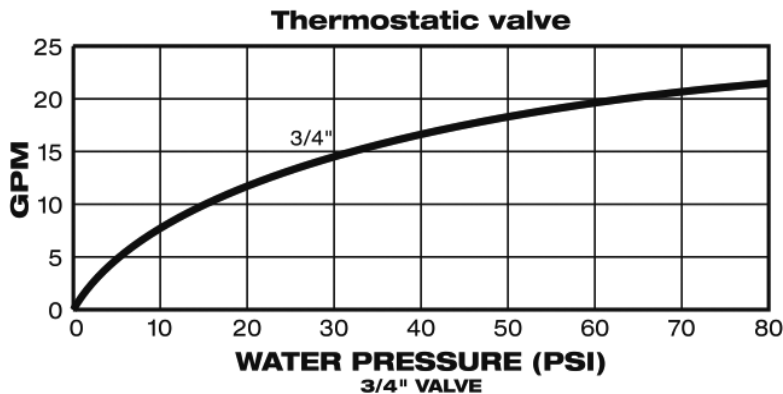
BALANCE PRESSURE SETUP  
SHOWN ABOVE. BP VALVE 1-684 SOLD  
SEPARATELY.

### 1/2" Diverter Spare Parts Pricing

1-355	Spare Cartridge for 1-701 - 3 function with off	\$192
1-356	Spare Cartridge for 1-702 - 5 function, with share and off	\$192
1-357	Spare Cartridge for 1-703 - 3 function with pause	\$192
1-358	Spare Cartridge - 6 function, no off Installation of the 1-358 cartridge requires a dedicated shut-off or stop valve as part of the shower system, sold separately.	\$192
1-478	Spare Cartridge for 1-704 - 2 function with off	\$192
1-479	Spare Cartridge for 1-705 - 3 function with share and off	\$192
1-480	Spare Cartridge for 1-706 - 2 function with pause	\$192
1-481	Spare Cartridge for 1-707 - 3 function with share (no off)	\$192
1-482	Plug Nut Assembly	\$53

## 3/4" GENERAL GUIDELINES FOR PLANNING AND LAYOUT

- 1) **Valve**—3/4" thermostatic valve. This valve will provide automatic temperature control and adequate water flow to operate multiple devices. The temperature control feature is not only a convenience but a safety consideration as well.
- 2) **Shower Outlets**—The sum total of water consumption of the combined shower outlets *must not exceed* the rated gallons per minute (gpm) of the thermostatic valve (see flow chart below).



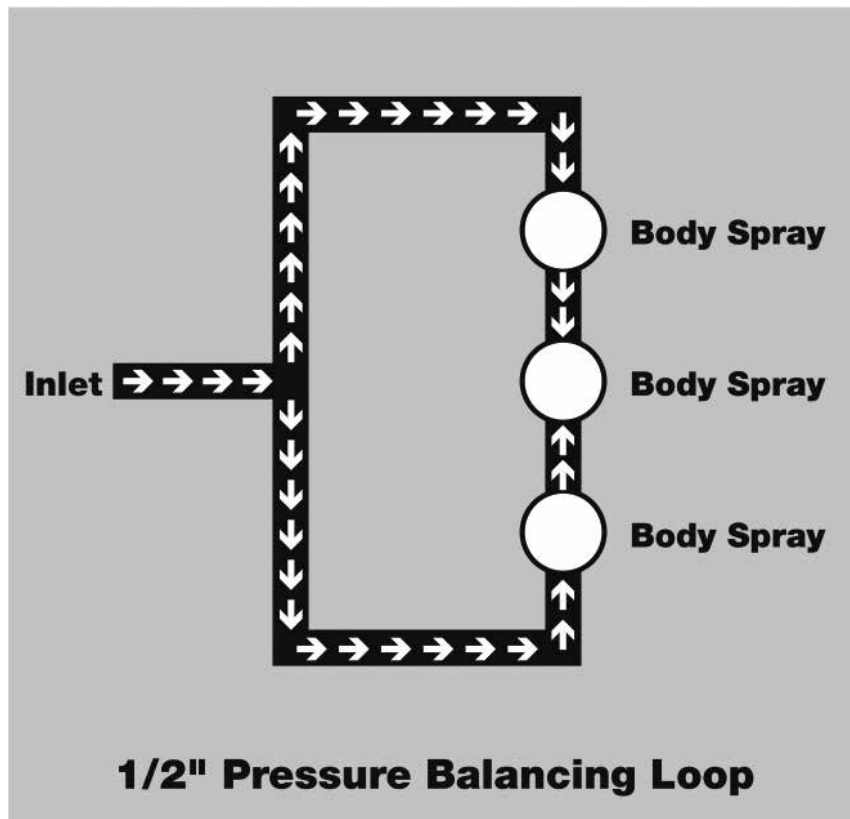
- 3) Exceeding the capacity of the valve will result in the reduction of the overall performance of the shower. Since water pressure directly facilitates optimum performance, Newport Brass recommends a minimum of 50 pounds per square inch (psi) for 3 or more outlets.

**NOTE:** In the case of a *well/pump system*, flow and pressure capacity may not accommodate a multi-component shower installation. Please consult a licensed plumber to ensure the supply you're working with is adequate.

- 4) **Removing flow restrictions** from showerheads or body sprays will upset the balance and the capacity of the valve and is a violation of national code.
- 5) When using more outlets than one thermostatic valve can accommodate, we recommend that 2 or more valves be used. If this is the case, Newport Brass suggests that the main water supply be 1" or larger.
- 6) Some plumbers 'tee' from one set of hot and cold supplies to accommodate more than one valve. This practice is *not recommended*. This situation requires that each valve be plumbed directly from the main water supply. It should be noted that the use of a 'tee' could cause fluctuations in temperature and water flow.

## 3/4" GENERAL GUIDELINES FOR PLANNING AND LAYOUT

- 7) **Volume Controls**—Most custom showers are designed with separate on/off volume controls for each outlet device. As with the other outlet devices, the volume controls also have their own flow rates. Newport Brass suggests using 3/4" volume control valves. Where cost is concerned 1/2" volume controls can be used, however, a reduction in the flow rate will result.
- 8) **Body Sprays**—It is recommended that a 1/2" pressure-balancing loop be plumbed for 2 or more body sprays. This technique will allow equal flow rates and temperature to each body spray. Please refer to diagram below.

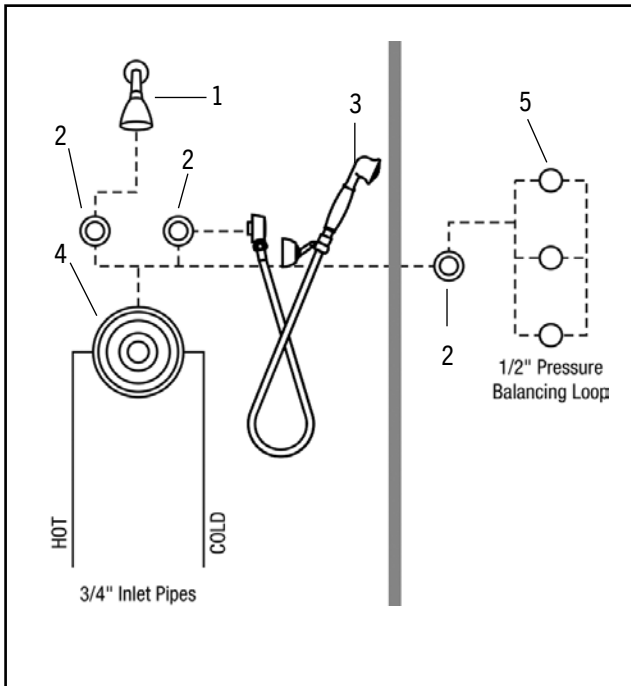


Note: Pressure-Balance Loop should be used on each shower bar installed.

### Designing the Custom Shower

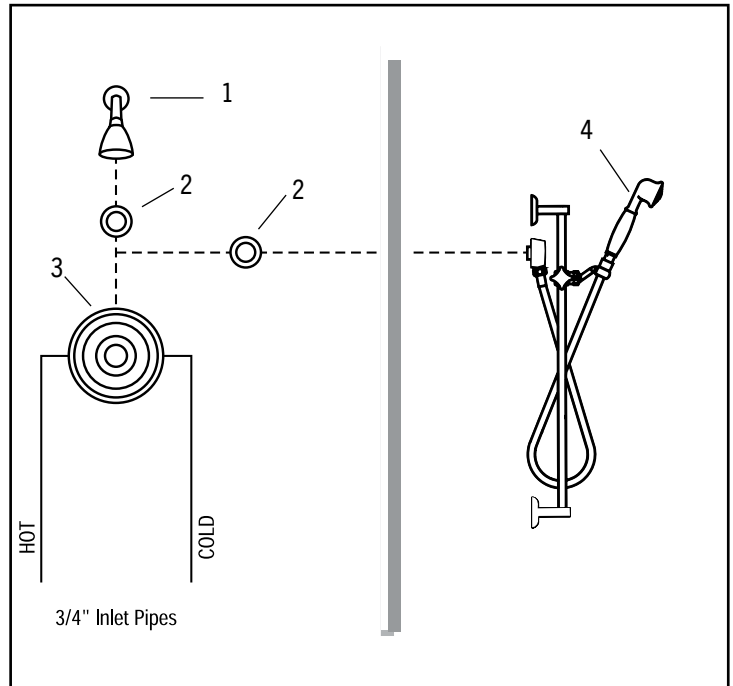
Please refer to the custom shower configuration examples on the following pages for reference and client presentation purposes on your next project.

## TWO-WALL POWER SYSTEM



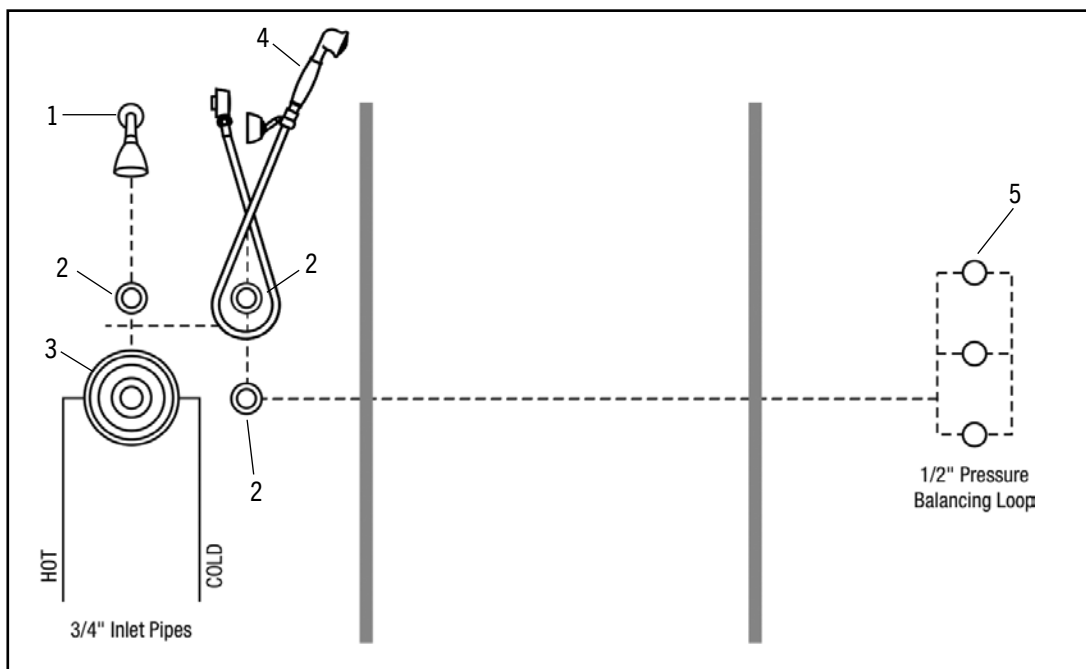
- 1) SHOWERHEAD
- 2) VOLUME CONTROL (3 ea.)
- 3) HAND SHOWER
- 4) THERMOSTATIC VALVE
- 5) BODY SPRAY (3 ea.)

## TWO-WALL SYSTEM



- 1) SHOWERHEAD
- 2) VOLUME CONTROL (2 ea.)
- 3) THERMOSTATIC VALVE
- 4) HAND SHOWER KIT

## OPPOSITE WALLS SYSTEM

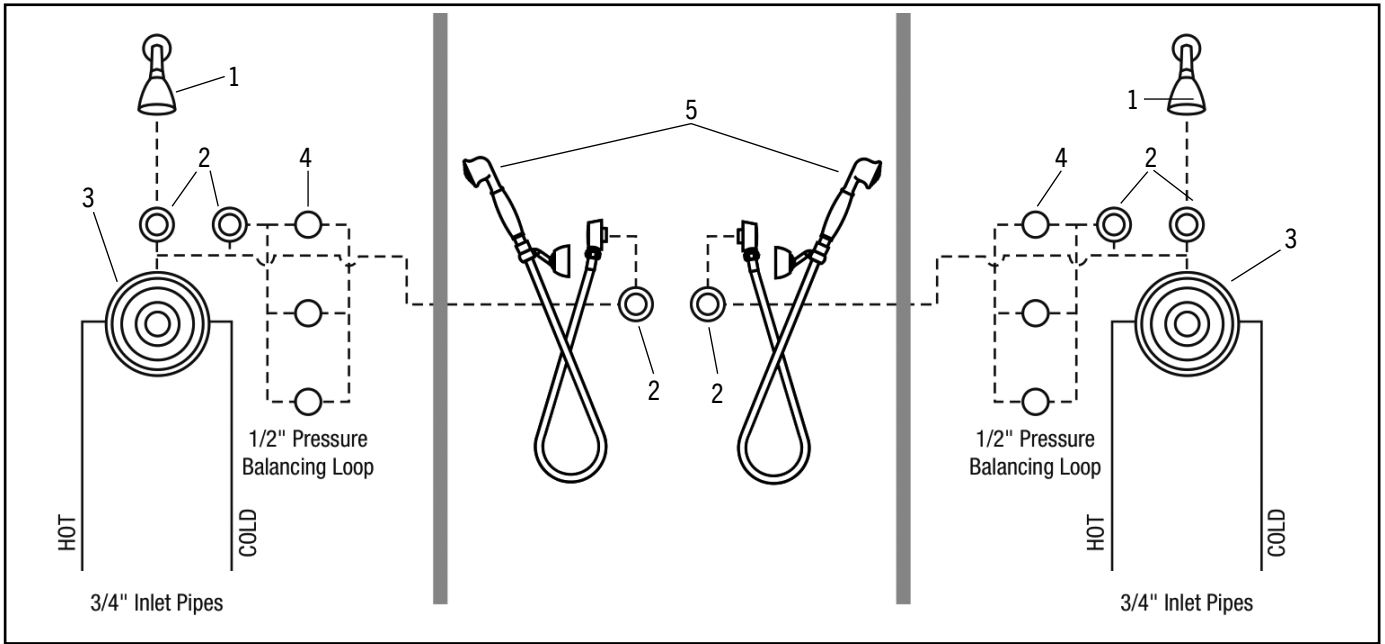


- 1) SHOWERHEAD
- 2) VOLUME CONTROL (3 ea.)
- 3) THERMOSTATIC VALVE
- 4) HAND SHOWER
- 5) BODY SPRAY (3 ea.)

NEWPORT BRASS.

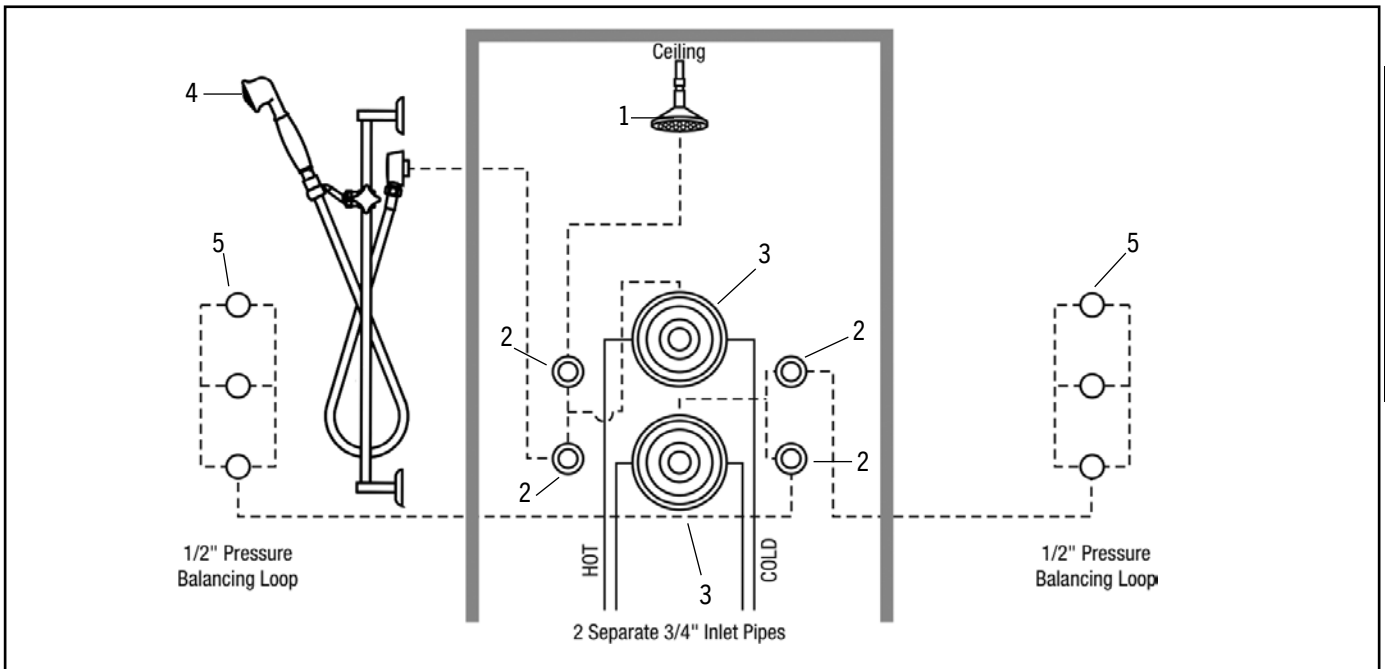


## THREE-WALL HIS/HERS



- 1) SHOWERHEAD (2 ea.)
- 2) VOLUME CONTROL (6 ea.)
- 3) THERMOSTATIC VALVE (2 ea.)
- 4) BODY SPRAY (6 ea.)
- 5) HAND SHOWER (2 ea.)

## THREE-WALL & CEILING SYSTEM



- 1) CEILING SHOWERHEAD
- 2) VOLUME CONTROL (4 ea.)
- 3) THERMOSTATIC VALVE (2 ea.)
- 4) HAND SHOWER KIT
- 5) BODY SPRAY (6 ea.)

SHOWER

# 3/4" Thermostatic Valve

Newport Brass is pleased to provide you with the following *Component Price List and Shower System Planner* for your convenience.

These pages will provide you with all of the tools needed to create a versatile and unique showering environment.

Custom shower installations can be confusing. But they don't have to be as long as you keep a few simple things in mind.

Please refer to "General Guidelines for Planning and Layout" and create your new shower system by following these easy steps:

- 1) Select "In-Wall Plumbing Products" for rough valve pricing.
- 2) Select design series/finish with Round or Square Trim Plate.
- 3) Select shower system components.

Please refer to Shower System Planner.

*Example:* **Two-Wall Power System—  
Matches Astor Series in Satin Nickel Finish**

Quantity	Part	Description
1	3-924TR/15S	Round Trim Plate/Handle for 3/4" Thermo Valve
1	211/15S	Showerhead
3	3-163/15S	Trim Kit for Volume Control (Stop Valves)
1	288/15S	Supply Outlet with Holder for Handshower
1	284/15S	Handshower Hose, 59"
1	281/15S	Handshower with Smooth Handle
3	2170/15S	Body Spray
1	1-540	3/4" Thermostatic Rough-In Valve
3	1-607U	3/4" Volume Control (Stop Valves) Roughs

# FREESTANDING TUB FILLERS

I                      II                      III



**930-4261** Free Standing Tub Filler                      \$2,276                      \$2,883                      \$3,738

35.95" (91.3cm) spout height at outlet (from floor).  
 8.72" (22.1cm) spout reach (c-c).  
 41.93" overall height.  
 Single handle flow/temperature control  
 Includes 3/4" braided steel supply line connectors  
 Includes 3/4" to 1/2" supply line adapter  
 Meets AMSE A112.18.1/CSA B125.1 requirements  
 9.25 gallons (35 liters) per minute maximum flow rate (spout).  
 1.8 gallons (6.8 liters) per minute maximum flow rate (hand shower).

Matches Chesterfield Series.

**NOTE:**

Switching the handshower is not an option on finishes 15, 15S, and 26.



15, 15S & 26 FINISH

ALL OTHER FINISHES

**1400-4261** Free Standing Tub Filler                      \$2,276                      \$2,883                      \$3,738

36.53" (92.7cm) spout height at outlet (from floor).  
 10.05" (25.5cm) spout reach (c-c).  
 40.37" overall height.  
 Single handle flow/temperature control  
 Includes 3/4" braided steel supply line connectors  
 Includes 3/4" to 1/2" supply line adapter  
 Meets AMSE A112.18.1/CSA B125.1 requirements  
 9.25 gallons (35 liters) per minute maximum flow rate (spout).  
 1.8 gallons (6.8 liters) per minute maximum flow rate (hand shower).

Matches East Square Series.

**NOTE:**

15, 15S, 26 finishes include handshower item 3-459.  
 All other finishes include handshower item #283-101.  
 Switching the handshower is not an option on finishes 15, 15S, and 26

SHOWER

# FREESTANDING TUB FILLERS

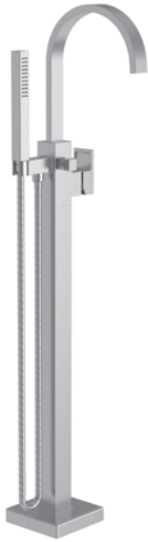
I

II

III



15, 15S & 26 FINISH



ALL OTHER FINISHES

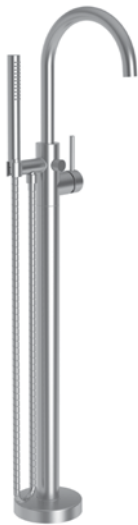
**2040-4261** Free Standing Tub Filler \$2,276    \$2,883    \$3,738  
 37.99" (96.5cm) spout height at outlet (from floor).  
 8.66" (22.0cm) spout reach (c-c).  
 43" overall height.  
 Single handle flow/temperature control  
 Includes 3/4" braided steel supply line connectors  
 Includes 3/4" to 1/2" supply line adapter  
 Meets AMSE A112.18.1/CSA B125.1 requirements

**NOTE:**

15, 15S, 26 finishes include handshower item 3-453.  
 All other finishes include handshower item #283-102.  
 Switching the handshower is not an option on finishes 15, 15S, and 26



15, 15S & 26 FINISH



ALL OTHER FINISHES

**2480-4261** Free Standing Tub Filler \$2,276    \$2,883    \$3,738  
 38.03" (96.6cm) spout height at outlet (from floor).  
 8.66" (22.0cm) spout reach (c-c).  
 43" overall height.  
 Single handle flow/temperature control  
 Includes 3/4" braided steel supply line connectors  
 Includes 3/4" to 1/2" supply line adapter  
 Meets AMSE A112.18.1/CSA B125.1 requirements  
 9.25 gallons (35 liters) per minute maximum flow rate (spout).  
 1.8 gallons (6.8 liters) per minute maximum flow rate (hand shower).

Matches East Linear and Priya Series.

**NOTE:**

15, 15S, 26 finishes include handshower item 3-459.  
 All other finishes include handshower item #283-101.  
 Switching the handshower is not an option on finishes 15, 15S, and 26

# FREESTANDING TUB FILLERS

I

II

III



15, 15S & 26 FINISH

ALL OTHER FINISHES

**2560-4261** Free Standing Tub Filler \$2,276    \$2,883    \$3,738  
 38.02" (96.6cm) spout height at outlet (from floor).  
 7.86" (19.9cm) spout reach (c-c).  
 39.49" overall height.  
 Single handle flow/temperature control  
 Includes 3/4" braided steel supply line connectors  
 Includes 3/4" to 1/2" supply line adapter  
 Meets AMSE A112.18.1/CSA B125.1 requirements  
 9.25 gallons (35 liters) per minute maximum flow rate (spout).  
 1.8 gallons (6.8 liters) per minute maximum flow rate (hand shower).

Matches Metro and Skylar Series.

**NOTE:**

15, 15S, 26 finishes include handshower item 3-459.  
 All other finishes include handshower item #283-101.  
 Switching the handshower is not an option on finishes 15, 15S, and 26



**1-339** Optional Rough for Freestanding Tub Filler \$323    —    —  
 For subfloor and concrete floor installations.  
 4.53" overall height.  
 7.20" overall base diameter.  
 Universal 3/4" NPT and 1/2" direct sweat connections.  
 Test caps included.

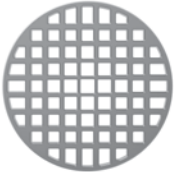




SHOWER

# DECORATIVE DRAINS


## HOW TO ORDER

- STEP 1: Select Shower Drain  
 STEP 2: Select Required Drain Throat #277-03  
 STEP 3: Select Drain Body (If Required)







### STEP 1

4" Round Drains	243-401	243-403	243-404	243-405	243-406
Description	4" Shower Drain	4" Shower Drain	4" Shower Drain	4" Shower Drain	4" Shower Drain
Image					
Pricing	I \$279 II \$352 III \$419	I \$279 II \$352 III \$419	I \$279 II \$352 III \$419	I \$279 II \$352 III \$419	I \$279 II \$352 III \$419

### STEP 2

Required Accessory	277-03
Description	4" Round Shower Drain Throat 2" IPS Outlets
Image	
Pricing	\$119

### STEP 3



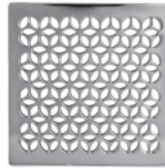


Optional Accessories	278-01	278A-01	278P-01	277-01A	277-01-E	1-288
Description	Drain Body, Cast Iron 2" Inlet, IPS 2" Outlet	Drain Body, ABS 2" Inlet, IPS 2" Solvent Weld Outlet	Drain Body, PVC 2" Inlet, IPS 2" Solvent Weld Outlet	2" Adapter Kit Cast Iron	Drain Throat Extension for 2" Inlet	2" No-Hub Coupling
Image						
Pricing	\$87	\$75	\$75	\$70	\$119	\$40


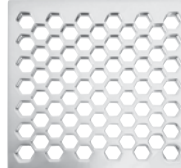
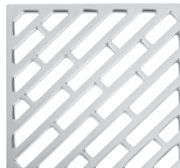
# DECORATIVE DRAINS

## HOW TO ORDER

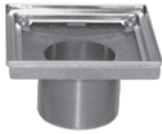
- STEP 1: Select Shower Drain
- STEP 2: Select Required Drain Throat #277-01
- STEP 3: Select Drain Body (If Required)

### STEP 1

4" Square Drains	233-401	233-402	233-403	233-404	233-405
Description	4" Shower Drain	4" Shower Drain	4" Shower Drain	4" Shower Drain	4" Shower Drain
Image					
Pricing	I II III \$279 \$352 \$419	I II III \$279 \$352 \$419	I II III \$279 \$352 \$419	I II III \$279 \$352 \$419	I II III \$279 \$352 \$419







4" Square Drains	233-406	233-407	233-408
Description	4" Shower Drain	4" Shower Drain	4" Shower Drain
Image			
Pricing	I II III \$279 \$352 \$419	I II III \$279 \$352 \$419	I II III \$279 \$352 \$419

### STEP 2

Required Accessory	277-01
Description	4" Square Shower Drain Throat 2" IPS Outlet
Image	
Pricing	\$113

SHOWER

### STEP 3






Optional Accessories	278-01	278A-01	278P-01	277-01A	277-01-E	1-288
Description	Drain Body, Cast Iron 2" Inlet, IPS 2" Outlet	Drain Body, ABS 2" Inlet, IPS 2" Solvent Weld Outlet	Drain Body, PVC 2" Inlet, IPS 2" Solvent Weld Outlet	2" Adapter Kit Cast Iron	Drain Throat Extension for 2" Inlet	2" No-Hub Coupling
Image						
Pricing	\$87	\$75	\$75	\$70	\$119	\$40



# DECORATIVE DRAINS

## HOW TO ORDER


- STEP 1: Select Shower Drain  
 STEP 2: Select Required Drain Throat #277-02  
 STEP 3: Select Drain Body (If Required)

### STEP 1







6" Square Drains	233-601	233-602	233-603	233-604	233-605
Description	6" Shower Drain	6" Shower Drain	6" Shower Drain	6" Shower Drain	6" Shower Drain
Image					
Pricing	I II III \$317 \$395 \$474	I II III \$317 \$395 \$474	I II III \$317 \$395 \$474	I II III \$317 \$395 \$474	I II III \$317 \$395 \$474

6" Square Drains	233-606	233-607
Description	6" Shower Drain	6" Shower Drain
Image		
Pricing	I II III \$317 \$395 \$474	I II III \$317 \$395 \$474

### STEP 2

Required Accessory	277-02
Description	6" Square Shower Drain Throat 4" IPS Outlet
Image	
Pricing	\$171

### STEP 3

Optional Accessories	278-02	278A-02	278P-02	277-02A	277-02-E	1-288
Description	Drain Body, Cast Iron 4" Inlet, IPS 2" Outlet	Drain Body, ABS 4" Inlet, IPS 2" Solvent Weld Outlet	Drain Body, PVC 2" Inlet, IPS 2" Solvent Weld Outlet	2" Adapter Kit Cast Iron	Drain Throat Extension for 4" Inlet	2" No-Hub Coupling
Image						
Pricing	\$120	\$109	\$109	\$85	\$149	\$40





# TILE IN DRAIN

I II III







## HOW TO ORDER

- STEP 1: Customer Selects Desired Tile (not included)
- STEP 2: Select Required Drain Rough #277-04 or #277-06
- STEP 3: Select Drain Body (If Required)







### STEP 2

Required Accessory	277-04	277-06
Description	4" Tile in Drain Throat	6" Tile in Drain Throat
Image		
Pricing	I II III \$411 \$ 556 \$ 638	I II III \$462 \$636 \$711

### STEP 3 FOR 277-04 (4" DRAIN THROAT)

Optional Accessories	278-01	278A-01	278P-01	277-01A	277-01-E	1-288
Description	Drain Body, Cast Iron 2" Inlet, IPS 2" Outlet	Drain Body, ABS 2" Inlet, IPS 2" Solvent Weld Outlet	Drain Body, PVC 2" Inlet, IPS 2" Solvent Weld Outlet	2" Adapter Kit Cast Iron	Drain Throat Extension for 2" Inlet	2" No-Hub Coupling
Image						
Pricing	\$87	\$75	\$75	\$70	\$119	\$40

### STEP 3 FOR 277-06 (6" DRAIN THROAT)

Optional Accessories	278-02	278A-02	278P-02	277-02A	277-02-E	1-288
Description	Drain Body, Cast Iron 4" Inlet, IPS 2" Outlet	Drain Body, ABS 4" Inlet, IPS 2" Solvent Weld Outlet	Drain Body, PVC 2" Inlet, IPS 2" Solvent Weld Outlet	2" Adapter Kit Cast Iron	Drain Throat Extension for 4" Inlet	2" No-Hub Coupling
Image						
Pricing	\$120	\$109	\$109	\$85	\$149	\$40

SHOWER

# SHOWERHEAD, ARMS & FLANGES

## CUSTOMIZE YOUR SHOWER

STEP 1: Select Showerhead. All are 1.8 Gallons (6.8 liters) per minute maximum flow rate.

STEP 2: Select Shower Arm.

STEP 3: Select Shower Flange.

-OR-

STEP 4: Select Nipple & Escutcheon Kit.

### STEP 1

Showerhead 1/2" NPT	211	212	214	2141	2142
Description	3.5" Diameter 8 Shower Jets	2.75" Diameter 6 Shower Jets	5.5" Diameter, Single Function, 29 Spray Jets	6" Diameter Single Function	6" Diameter Single Function
Image					
Pricing	I II III \$387 \$541 \$648	I II III \$301 \$410 \$492	I II III \$846 \$1,074 \$1,290	I II III \$494 \$620 \$802	I II III \$494 \$620 \$802

Showerhead 1/2" NPT	2143	2144	2154	2155	2156
Description	6" Diameter, Multifunction, 3 Spray Modes	6" Diameter, Multifunction, 3 Spray Modes	8" x 3" Single Function	4" Diameter, Multifunction, 3 Spray Patterns	4.25" Diameter 3 Spray Patterns
Image					
Pricing	I II III \$559 \$699 \$909	I II III \$559 \$699 \$909	I II III \$620 \$772 \$964	I II III \$257 \$334 \$384	I II III \$257 \$334 \$384

Showerhead 1/2" NPT	2157	2158	2159
Description	8.5" Diameter, Multifunction, 3 Spray Modes	8.5" Diameter, Multifunction, 3 Spray Modes	8" Square, Multifunction, 3 Spray Modes
Image			
Pricing	I II III \$581 \$757 \$908	I II III \$581 \$757 \$908	I II III \$581 \$757 \$908

# SHOWERHEAD, ARMS & FLANGES

## CUSTOMIZE YOUR SHOWER

STEP 1: Select Showerhead. *All are 1.8 Gallons (6.8 liters) per minute maximum flow rate.*

STEP 2: Select Shower Arm.

STEP 3: Select Shower Flange.




-OR-

STEP 4: Select Nipple & Escutcheon Kit.

### STEP 2

Shower Arm 1/2" NPT	200	201	201-1	201-2	200-2001
Description	6" Shower Arm	7.5" Shower Arm	8" Shower Arm with Flange	9" Shower Arm	18" Shower Arm
Image					
Pricing	I II III \$60 \$85 \$105	I II III \$67 \$95 \$113	I II III \$277 \$378 \$415	I II III \$306 \$413 \$473	I II III \$328 \$431 \$510

Shower Arm 1/2" NPT	202	2021	202-1	201-1001	203
Description	90° 12" Shower Arm	90° 18" Shower Arm	90° 12" Shower Arm 2.5" Height	12" Shower Arm	9" Shower Arm
Image					
Pricing	I II III \$104 \$135 \$154	I II III \$134 \$165 \$197	I II III \$292 \$368 \$408	I II III \$415 \$466 \$576	I II III \$85 \$110 \$129

Shower Arm 1/2" NPT	200-1001	205	208
Description	12" Shower Arm	"S" Shower Arm Raises Showerhead 10"	7.5" Shower Arm
Image			
Pricing	I II III \$112 \$140 \$159	I II III \$117 \$156 \$187	I II III \$226 \$294 \$338

# SHOWERHEAD, ARMS & FLANGES

## CUSTOMIZE YOUR SHOWER

STEP 1: Select Showerhead. *All are 1.8 Gallons (6.8 liters) per minute maximum flow rate.*




STEP 2: Select Shower Arm.



STEP 3: Select Shower Flange.




-OR-

STEP 4: Select Nipple & Escutcheon Kit.

### STEP 3

1/2" Shower Flange	206	206-1	207	2-332
Description	2-3/8" Outer Diameter	2-1/4" Outer Diameter	2-3/8" Outer Diameter	2-3/8" Outer Diameter
Image				
Pricing	I II III \$46 \$51 \$57	I II III \$46 \$51 \$57	I II III \$46 \$51 \$57	I II III \$124 \$167 \$188

1/2" Shower Flange	2-503	2-640
Description	2-3/8" Outer Diameter	2-1/2" Square
Image		
Pricing	I II III \$46 \$51 \$57	I II III \$124 \$167 \$188





3/4" Shower Flange	2-221	206-301	206-302
Description	2-3/8" Outer Diameter	2.5" Outer Diameter	2-1/4" Outer Diameter
Image			
Pricing	I II III \$124 \$167 \$188	I II III \$124 \$167 \$188	I II III \$124 \$167 \$188


# SHOWERHEAD, ARMS & FLANGES

## CUSTOMIZE YOUR SHOWER



- STEP 1: Select Showerhead. *All are 1.8 Gallons (6.8 liters) per minute maximum flow rate.*  
 STEP 2: Select Shower Arm.  
 STEP 3: Select Shower Flange.  
 -OR-  
 STEP 4: Select Nipple & Escutcheon Kit.


### STEP 1

1/2" NPT Overhead Showerheads	2091	215	2152	2153
Description	8" Diameter Single Function	9" Diameter Single Function	9" Diameter Single Function	9" Diameter Single Function
Image				
Pricing	I II III \$594 \$802 \$962	I II III \$1,016 \$1,474 \$1,741	I II III \$989 \$1,236 \$1,604	I II III \$989 \$1,236 \$1,604

3/4" NPT Overhead Showerheads	2092
Description	12" Diameter Single Function
Image	
Pricing	I II III \$831 \$1,119 \$1,347

### STEP 2

1/2" NPT Shower Arm	202	2021
Description	90° 12" Shower Arm 5" Height	90° 18" Shower Arm 5" Height
Image		
Pricing	I II III \$104 \$135 \$154	I II III \$134 \$165 \$197

1/2" NPT Nipple	200-7102 - 2" 200-7104 - 4" 200-7106 - 6" 200-7108 - 8" 200-7110 - 10"	200-7112 - 12" 200-7118 - 18"	200-7124 - 24" 200-7130 - 30"
Description	Nipple	Nipple	Nipple
Image			
Pricing	I II III \$67 \$84 \$101	I II III \$116 \$156 \$187	I II III \$148 \$207 \$229

# SHOWERHEAD, ARMS & FLANGES

## CUSTOMIZE YOUR SHOWER


STEP 1: Select Showerhead. *All are 1.8 Gallons (6.8 liters) per minute maximum flow rate.*


STEP 2: Select Shower Arm.


STEP 3: Select Shower Flange.

-OR-

STEP 4: Select Nipple & Escutcheon Kit.

3/4" NPT Nipple	200-8102 - 2" 200-8104 - 4" 200-8106 - 6" 200-8108 - 8" 200-8110 - 10"	200-8112 - 12" 200-8118 - 18"	200-8124 - 24" 200-8130 - 30"
Description	Nipple	Nipple	Nipple
Image			
Pricing	I II III \$81 \$110 \$126	I II III \$130 \$175 \$203	I II III \$163 \$238 \$268

1/2" NPT Nipple & Escutcheon	517-2 - 2" 517-4 - 4" 517-6 - 6" 517-8 - 8" 517-10 - 10"	517-12 - 12" 517-18 - 18"	517-24 - 24" 517-30 - 30"	517-36 - 36" 517-42 - 42"
Description	Nipple & Escutcheon	Nipple & Escutcheon	Nipple & Escutcheon	Nipple & Escutcheon
Image				
Pricing	I II III \$128 \$170 \$204	I II III \$172 \$235 \$279	I II III \$212 \$284 \$341	I II III \$261 \$355 \$425

3/4" NPT Nipple & Escutcheon	516-2 - 2" 516-4 - 4" 516-6 - 6" 516-8 - 8" 516-10 - 10"	516-12 - 12" 516-18 - 18"	516-24 - 24" 516-30 - 30"	516-36 - 36" 516-42 - 42"
Description	Nipple & Escutcheon	Nipple & Escutcheon	Nipple & Escutcheon	Nipple & Escutcheon
Image				
Pricing	I II III \$141 \$188 \$228	I II III \$200 \$271 \$322	I II III \$247 \$335 \$404	I II III \$311 \$419 \$501

# HAND SHOWERS

I II III



**280** Single Function Hand Shower  
Grooved Brass Handle.

\$215 \$290 \$338



**281** Single Function Hand Shower  
Smooth Brass Handle.  
Solid Brass. Without Hose.

\$215 \$290 \$338



**281-1** Traditional Multifunctional Hand Shower  
3-spray patterns: Spray, Rain & Massage.

\$482 \$650 \$743

Does not work with bracket on item No. 287, 288 and 292.



**283** Single Function Hand Shower

\$301 \$449 \$554



**283-101** Single Function Hand Shower  
Round, Contemporary.

\$301 \$449 \$554



**283-102** Single Function Hand Shower  
Square, Contemporary.

\$301 \$449 \$554



**283-2** Single Function Hand Shower

\$301 \$449 \$554



**283-201** Single Function Hand Shower

\$301 \$449 \$554

# HAND SHOWERS

I

II

III



**283-3**

Contemporary Multifunctional Hand Shower  
3-spray patterns: Spray, Rain & Massage.  
Hose not included.

\$482

\$650

\$743

Does not work with bracket on item No. 287, 288 and 292.



**283-4**

Contemporary Single Function Hand Shower

\$471

\$638

\$734

Does not work with bracket on item # 287, 288 and 292.



**283-5**

Traditional Single Function Hand Shower

\$471

\$638

\$734

Does not work with bracket on item # 287, 288 and 292.



# HAND SHOWER SETS

I II III



**280A**

Wall-Mounted Hand Shower Kit  
Diverts from in-wall supply using diverter valve.  
Consists of No. 280 Hand Shower, No. 284 Hose,  
No. 285 Supply Elbow, and No. 287 Wall Bracket.

\$552

\$767

\$917



**281A**

Wall-Mounted Hand Shower Kit  
Diverts from in-wall supply using diverter valve.  
Consists of No. 281 Hand Shower, No. 284 Hose,  
No. 285 Supply Elbow, and No. 287 Wall Bracket.

\$552

\$767

\$917



**280G**

Traditional Hand Shower Set  
Includes:  
No. 281-1 Traditional Multifunction Hand Shower  
No. 284 Braided Hose  
No. 285-1 Supply Elbow  
No. 297 Coordinating Wall Bracket

\$856

\$1,157

\$1,327



**280H**

Contemporary Hand Shower Set  
Includes:  
No. 283-3 Contemporary Multifunction Hand Shower  
No. 284 Braided Hose  
No. 285-2 Supply Elbow  
No. 296 Coordinating Wall Bracket

\$856

\$1,157

\$1,327



**280J**

Contemporary Hand Shower Set  
Includes:  
No. 283-4 Contemporary Single Function Hand Shower  
No. 284 Braided Hose  
No. 285-5 Supply Elbow  
No. 296-1 Coordinating Square Wall Bracket

\$856

\$1,157

\$1,327



**280K**

Traditional Hand Shower Set  
Includes:  
No. 283-5 Traditional Single Function Hand Shower  
No. 284 Braided Hose  
No. 285-4 Supply Elbow  
No. 297-1 Coordinating Square Wall Bracket

\$856

\$1,157

\$1,327



**280M**

Contemporary Hand Shower Set  
Includes:  
No. 283-4 Contemporary Single Function Hand Shower  
No. 284 Braided Hose  
No. 285-6 Supply Elbow  
No. 296-1 Coordinating Square Wall Bracket

\$856

\$1,157

\$1,327



**280N**

Traditional Hand Shower Set  
Includes:  
No. 281-1 Traditional Multifunction Hand Shower  
No. 284 Braided Hose  
No. 285-3 Supply Elbow  
No. 297 Wall Coordinating Round Bracket

\$856

\$1,157

\$1,327

# HAND SHOWER SETS

I

II

III



**280P**

Contemporary Hand Shower Set

Includes:

No. 283-102 Single Function Handshower

No. 284 Braided Hose

No. 3-671 Supply Elbow & Holder Combo

\$588

\$767

\$917



**280R**

Contemporary Hand Shower Set

Includes:

No. 283-101 Single Function Handshower

No. 284 Braided Hose

No. 3-672 Supply Elbow & Holder Combo

\$588

\$767

\$917

# SLIDE BAR HANDSHOWER KITS

I                      II                      III



**280D**

Slide Bar Handshower Kit  
Water supply from in-wall supply using diverter valve.  
Consists of No. 280 Handshower, No. 284 Hose, No. 285 Supply Elbow, and No. 292 Slide Bar with Adjustable Bracket.

\$788      \$1,021      \$1,198



**281D**

Slide Bar Handshower Kit  
Water supply from in-wall supply using diverter valve.  
Consists of No. 281 Handshower, No. 284 Hose, No. 285 Supply Elbow, and No. 292 Slide Bar with Adjustable Bracket.

\$788      \$1,021      \$1,198



**280E**

Traditional 36" Slide Bar Handshower Kit  
All Brass. Includes:  
No. 281-1 Traditional Multifunction Hand Shower  
No. 284 Braided Hose  
No. 285-1 Supply Elbow  
No. 294 36" Slide Bar with Adjustable Bracket

\$1,314      \$1,640      \$2,129



**280F**

Contemporary 36" Slide Bar Handshower Kit  
All Brass. Includes:  
No. 283-3 Contemporary Multifunctional Hand Shower  
No. 284 Braided Hose  
No. 285-2 Supply Elbow  
No. 295 36" Slide Bar with Adjustable Bracket

\$1,314      \$1,640      \$2,129



**280L**

Traditional 36" Slide Bar Handshower Kit  
All Brass. Includes:  
No. 281-1 Traditional Multifunctional Hand Shower  
No. 284 Braided Hose  
No. 285-3 Supply Elbow  
No. 294-1 36" Slide Bar with Adjustable Bracket

\$1,314      \$1,640      \$2,129



**280S**

Contemporary 36" Slide Bar Handshower Kit  
All Brass. Includes:  
No. 283-101 Single Function Handshower  
No. 284 Braided Hose  
No. 285-2 Supply Elbow  
No. 295 36" Slide Bar with Adjustable Bracket

\$1,049      \$1,418      \$1,738



**280T**

Contemporary 36" Slide Bar Handshower Kit  
Includes:  
No. 283-102 Single Function Handshower  
No. 284 Braided Hose  
No. 285-7 Supply Elbow  
No. 295-1 Slide Bar with Adjustable Bracket

\$1,049      \$1,418      \$1,738

SHOWER

# SLIDE BARS

I

II

III



**292**

Wall-Mounted Slide Bar with Adjustable Bracket for holding Hand Shower. 23" c-c. 3" projection. 2 concealed screws.

\$494

\$628

\$739

Does not work with 281-1, 283-3, 283-4 and 283-5 handshowers.



**294**

Traditional 36" Wall-Mounted Slidebar with Adjustable Bracket.

\$670

\$856

\$1,037



**294-1**

Traditional 36" Wall-Mounted Slidebar with Adjustable Bracket.

\$670

\$856

\$1,037



**295**

Contemporary 36" Wall-Mounted Slidebar with Adjustable Bracket.

\$670

\$856

\$1,037



**295-1**

Contemporary 36" Wall-Mounted Slidebar with Adjustable Bracket.

\$695

\$888

\$1,049

# SHOWER SLIDER KITS FOR GRAB BARS

I II III



**930-0442** Shower Slider Kit For Grab Bar  
Traditional, Cross handle.  
Includes No. 284 hose.  
No. 285-1 supply elbow.  
No. 281-1 handshower.  
No. 20-411 slider.  
No. 20-408 handle.  
GRAB BAR SOLD SEPARATELY.

\$1,020 \$1,357 \$1,626



**930-0443** Shower Slider Kit For Grab Bar  
Traditional, Lever handle.  
Includes No. 284 hose.  
No. 285-1 supply elbow.  
No. 281-1 handshower.  
No. 20-411 slider.  
No. 2-136 handle.  
GRAB BAR SOLD SEPARATELY.

\$1,020 \$1,357 \$1,626



**990-0442** Shower Slider Kit For Grab Bar  
Contemporary, Cross handle.  
Includes No. 284 hose.  
No. 285-2 supply elbow.  
No. 283-3 handshower.  
No. 20-410 slider.  
No. 20-289 handle.  
GRAB BAR SOLD SEPARATELY.

\$1,020 \$1,357 \$1,626



**990-0443** Shower Slider Kit For Grab Bar  
Contemporary, Lever handle.  
Includes No. 284 hose.  
No. 285-2 supply elbow.  
No. 283-3 handshower.  
No. 20-410 slider.  
No. 2-111H handle.  
GRAB BAR SOLD SEPARATELY.

\$1,020 \$1,357 \$1,626



**2040-0442** Shower Slider Kit For Grab Bar  
Contemporary, Cross handle.  
Includes No. 284 hose.  
No. 285-7 supply elbow.  
No. 283-102 handshower.  
No. 20-410 slider.  
No. 20-406 handle.  
GRAB BAR SOLD SEPARATELY.

\$1,020 \$1,357 \$1,626



**2040-0443** Shower Slider Kit For Grab Bar  
Contemporary, Lever handle.  
Includes No. 284 hose.  
No. 285-7 supply elbow.  
No. 283-102 handshower.  
No. 20-410 slider.  
No. 20-407 handle  
GRAB BAR SOLD SEPARATELY.

\$1,020 \$1,357 \$1,626

SHOWER

# SHOWER PARTS

I

II

III



**284** 59" Hand Shower Hose  
Double spiral for strength.  
Solid Brass.

\$181 \$240 \$277



**290** High Pressure Polymer Braided Hose  
  
For use with No. 289 for below deck connection.  
24" long. 1/2" male IPS x 1/2" male IPS.  
Non-Finished Item.

\$74 — —



**285** Supply Elbow for Hand Shower Hose  
Solid Brass.

\$86 \$125 \$148



**285-1** Traditional All Brass Supply Elbow

\$120 \$164 \$186



**285-2** Contemporary All Brass Supply Elbow

\$120 \$164 \$186



**285-3** Traditional Supply Elbow

\$120 \$164 \$186



**285-4** Traditional Supply Elbow

\$120 \$164 \$186



**285-5** Contemporary Supply Elbow

\$120 \$164 \$186

# SHOWER PARTS

I II III

	<b>285-6</b>	Contemporary Supply Elbow	\$120	\$164	\$186
	<b>3-671</b>	Contemporary Supply Elbow & Holder - Square	\$267	\$402	\$479
	<b>3-672</b>	Contemporary Supply Elbow & Holder - Round	\$267	\$402	\$479
	<b>287</b>	Wall Bracket for Hand Shower Does not work with 281-1, 283-3, 283-4 and 283-5 handshowers.	\$146	\$196	\$228
	<b>288</b>	Supply Outlet with holder for Hand Shower Does not work with 281-1, 283-3, 283-4 and 283-5 handshowers.	\$160	\$210	\$247
	<b>296</b>	Contemporary Wall Mount Bracket Solid Brass. Matches 283-3 Hand Shower. Not adjustable.	\$159	\$215	\$249
	<b>296-1</b>	Contemporary Wall Mount Bracket Solid Brass. Matches 283-4 Hand Shower. Not adjustable.	\$159	\$215	\$249
	<b>297</b>	Traditional Wall-Mount Bracket Solid Brass. Matches 281-1 Hand Shower. Not adjustable.	\$159	\$215	\$249

# SHOWER PARTS

I

II

III



291

Vacuum Breaker for Hand Showers. In-line type.  
For wall-hung showers only. Not for deck-mounted  
Hand Showers. Solid Brass. IAPMO-UPC listed.

\$86

\$118

\$143



# BODY SPRAYS

I II III

	<b>217</b>	Body Spray Solid Brass. 1-7/8" diameter. 1-3/4" projection. 1/2" female IPS pivot connection. With flange. 1.75 GPM Max.	\$159	\$201	\$238
	<b>2170</b>	Body Spray 1/2" female inlet. 1.75 GPM Max. Solid Brass.	\$261	\$353	\$405
	<b>2171</b>	Body Spray with volume control Solid Brass. 1-7/8" diameter. 2-5/16" projection. 1/2" female IPS pivot connection. With flange. 1.75 GPM Max.	\$233	\$314	\$377
	<b>2173</b>	Body Spray Square Escutcheon. 1/2" female inlet. 1.75 GPM Max. Solid Brass.	\$261	\$353	\$405
	<b>2174</b>	Body Spray Round Escutcheon. 1/2" female inlet. 1.75 GPM Max. Solid Brass.	\$261	\$353	\$405
	<b>2178</b>	Body Spray 1/2" female inlet. 1.75 GPM Max. Solid Brass.	\$261	\$353	\$405

SHOWER

# TUB SPOUTS

I









II

III

	<b>220</b>	Tub Spout 1/2" NPT inlet fitting. 4.97" spout overall length.	\$132	\$158	\$185
	<b>2201</b>	Tub Spout 1/2" NPT inlet fitting. 6.71" spout overall length.  Matches Seaport Series.	\$217	\$301	\$358
	<b>20-258</b>	Tub Spout 3/4" NPT inlet fitting. 7.35" spout overall length.  Matches Joffrey Series.	\$316	\$442	\$527
	<b>2-144</b>	Tub Spout 1/2" NPT inlet fitting. 7.56" spout overall length.  Matches Alveston, Astor, Chesterfield, Fairfield and Metropole Series.	\$230	\$312	\$358
	<b>2-249A</b>	Tub Spout 1/2" NPT inlet fitting. 6.29" spout overall length.  Matches Alexandria Series.	\$277	\$373	\$415
	<b>2-250</b>	Tub Spout 1/2" NPT inlet fitting. 6.29" spout overall length.  Matches Amisa Series.	\$240	\$326	\$373
	<b>2-564</b>	Tub Spout with Stream Straightener 3/4" NPT inlet (1/2" bushing included). 7.43" spout overall length.  Matches Bevelle and Miro Series.	\$245	\$326	\$389
	<b>3-234</b>	Tub Spout 1/2" NPT inlet fitting. 7" spout overall length.  Matches Dorrance, East Linear, East Square, and Slater Series.	\$227	\$301	\$347

# TUB SPOUTS

I II III

	<b>3-328</b>	Tub Spout 1/2" NPT inlet fitting. 6.94" spout overall length.  Matches Secant Series.	\$246	\$334	\$381
	<b>3-383</b>	Tub Spout 1/2" NPT inlet fitting. 7.82" spout overall length.  Matches Aylesbury Series.	\$246	\$334	\$381
	<b>3-407</b>	Tub Spout 1/2" NPT inlet fitting. 9.15" spout overall length.  Matches Keaton and Kirsi Series.	\$246	\$334	\$381
	<b>3-419</b>	Tub Spout 1/2" NPT inlet fitting. 9.15" spout overall length.  Matches Pavani and Priya Series.	\$246	\$334	\$381
	<b>3-427</b>	Tub Spout 3/4" NPT inlet fitting. 6.90" spout overall length.  Matches Ithaca Series.	\$303	\$412	\$470
	<b>3-583</b>	Tub Spout 1/2" NPT inlet fitting. 7.92" spout overall length.  Matches Malvina Series.	\$342	\$446	\$512
	<b>3-614</b>	Tub Spout 1/2" NPT inlet fitting. 11.15" spout overall length.  Matches Keaton and Kirsi Series.	\$303	\$412	\$470
	<b>3-615</b>	Tub Spout 1/2" NPT inlet fitting. 11.15" spout overall length.  Matches Pavani and Priya Series.	\$303	\$412	\$470

# TUB SPOUTS

I

II

III



**3-641**

Tub Spout with Stream Straightener  
1/2" NPT inlet fitting.  
8.75" spout overall length.

\$363

\$491

\$564

Matches Pardees Series.



**3-642**

Tub Spout  
1/2" NPT inlet fitting.  
8.82" spout overall length.

\$363

\$491

\$564

Matches Clemens Series.



**3-643**

Tub Spout  
1/2" NPT inlet fitting.  
8.79" spout overall length.

\$363

\$491

\$564

Matches Griffey Series.



**3-667**

Tub Spout  
1/2" NPT inlet fitting.  
9.42" spout overall length.

\$314

\$394

\$425

Matches Victoria Series.



**3-668**

Tub Spout  
1/2" NPT inlet fitting.  
10.32" spout overall length.

\$246

\$334

\$381

Matches Jacobean Series.



**3-669**

Tub Spout  
1/2" NPT inlet fitting.  
9.83" spout overall length.

\$246

\$334

\$381

Matches Sutton Series.



**3-695**

Tub Spout with Stream Straightener  
1/2" NPT inlet fitting.  
9.94" spout overall length.

\$291

\$393

\$452

Matches Muncy Series.



**3-724**

Tub Spout  
1/2" NPT inlet fitting.  
9.94" spout overall length.

\$300

\$384

\$426

Matches Tolmin Series.

# TUB SPOUTS

I

II

III



**3-729**

Tub Spout  
1/2" NPT inlet fitting.  
9.94" spout overall length.

\$300

\$384

\$426

Matches Taft Series.



**8-030**

Tub Spout  
3/4" NPT inlet fitting.  
9.44" spout overall length.

\$393

\$482

\$527

Matches Metro and Skylar Series.



**20-131**

Tub Spout  
1/2" NPT inlet fitting.  
6.71" spout overall length.

\$240

\$334

\$381

Matches Vander Series.

# SHOWER TRIM VALVES PICK A VALVE AND THEN CHOOSE TRIM PLATES

I

II

III

## BP TUB AND SHOWER VALVES



1-685 Newport Brass BP Valve with diverter, 4 port with service stops, universal 1/2" NPT & direct sweat \$384 — —

## BP SHOWER VALVES



1-684 Newport Brass BP Valve, 3 port with service stops, universal 1/2" NPT & direct sweat connections. \$278 — —

## 1/2" THERMOSTATIC VALVES



1-741 1/2" Thermostatic Rough-in with Volume/Shut off Control. Flow rate of 10.25 gpm at 60 PSI hot & cold mixed flow. Factory calibrated comfort setting at 100-deg F, built-in check valves w/service stops. Independent adjustment of temperature & volume control. \$524 — —



1-742 1/2" Thermostatic Rough-in\*\* w/Integrated 2 Way Diverter & Shut off Control. Flow rate of 10 gpm at 60 PSI hot and cold mixed flow, top outlet. Factory calibrated comfort setting at 100-deg F, built-in check valves w/service stops. Independent adjustment of temperature & volume control. \$627 — —



1-743 1/2" Thermostatic Rough-in w/Integrated 3 Way Diverter w/share function ports 1 & 2, & Shut Off Control. Flow rate of 8 gpm at 60 PSI hot & cold mixed flow, combo outlet. Factory calibrated comfort setting at 100-deg F, built-in check valves w/service stops. Independent adjustment of temperature & volume control. \$686 — —



1-744 1/2" Thermostatic Rough-in\*\* w/Integrated 3 Way Diverter & Shut off Control. Flow rate of 6.75 gpm at 60 PSI hot and cold mixed flow, top outlet. Factory calibrated comfort setting at 100-deg F, built-in check valves w/service stops. Independent adjustment of temperature & volume control. \$686 — —



1-745 1/2" Thermostatic Rough-in w/Integrated 2 Way Diverter w/share function ports 1 & 2, & shut off control. Flow rate of 8 gpm at 60 PSI hot and cold mixed flow, top outlet. Factory calibrated comfort setting at 100-deg F, built-in check valves w/service stops. Independent adjustment of temperature & volume control. \$627 — —

## 3/4" THERMOSTATIC VALVES



1-540 3/4" Thermostatic Rough-in Valve Flow rate of 18 gpm at 60 PSI. Factory calibrated comfort setting at 100-deg F, built-in check valves w/service stops. \$794 — —

MUST USE WITH SEPARATE STOP/VOLUME CONTROL

# DIVERTER/FLOW CONTROL TRIM

I

II

III



**3-163**  
**3-163B**

Diverter/Flow Control Trim. Arrow Insert.  
Diverter/Flow Control Trim. Plain Insert.

\$210  
\$210

\$293  
\$293

\$353  
\$353

Use with stop or diverter valves.  
Matches Alveston, Astor and Chesterfield Series.



**3-188H**

Diverter/Flow Control Trim. Hot.  
Use with stop or diverter valves.  
Matches Amisa Series.

\$336

\$471

\$566



**3-202**

Diverter/Flow Control Trim  
Use with stop or diverter valves.  
Matches Seaport Series.

\$216

\$303

\$363



**3-227**

Diverter/Flow Control Trim  
Use with stop or diverter valves.

\$239

\$336

\$403

Matches East Linear and East Square Series.



**3-227LH**

Diverter/Flow Control Trim. Hot.  
Use with stop or diverter valves.  
Matches East Linear and East Square Series.

\$239

\$336

\$403



**3-230**  
**3-230B**

Diverter/Flow Control Trim. Arrow.  
Diverter/Flow Control Trim. Plain Insert.  
Use with stop or diverter valves.  
NOTE: HOT & COLD HANDLE BUTTONS ARE IN FRENCH.  
Matches Fairfield Series.

\$210  
\$210

\$293  
\$293

\$353  
\$353



**3-241**  
**3-241B**

Diverter/Flow Control Handle Trim. Arrow Insert.  
Diverter/Flow Control Handle Trim. Plain Insert.  
Use with stop or diverter valves.  
Matches Chesterfield Series.

\$210  
\$210

\$293  
\$293

\$353  
\$353



**3-245**

Diverter/Flow Control Trim  
Use with stop or diverter valves.  
Matches Metropole Series.

\$210

\$293

\$353

SHOWER

# DIVERTER/FLOW CONTROL TRIM

I

II

III



**3-248**

Diverter/Flow Control Trim  
Use with stop or diverter valves.  
Matches Alexandria Series.

\$354

\$494

\$593



**3-255**

Diverter/Flow Control Trim  
Use with stop or diverter valves..  
Matches East Linear Series.

\$239

\$336

\$403



**3-279**

Diverter/Flow Control Trim  
Use with stop or diverter valves.  
Matches Miro Series.

\$256

\$357

\$429



**3-279L**

Diverter/Flow Control Trim  
Use with stop or diverter valves.  
Matches Miro Series.

\$256

\$357

\$429



**3-289**

Diverter/Flow Control Trim  
Use with stop or diverter valves.  
Matches Bevelle Series.

\$394

\$530

\$638



**3-322**

Diverter/Flow Control Trim  
Use with stop or diverter valves.  
Matches Victoria Series.

\$246

\$334

\$400



**3-323**

Diverter/Flow Control Trim  
Use with stop or diverter valves.  
Matches Victoria Series.

\$246

\$334

\$400



**3-343**

Diverter/Flow Control Trim  
Use with stop or diverter valves.  
Matches Astor Series.

\$210

\$293

\$353



# DIVERTER/FLOW CONTROL TRIM

I

II

III



3-368

Diverter/Flow Control Trim  
Use with stop or diverter valves.  
Matches Secant and Skylar Series.

\$237

\$311

\$358



3-373

Diverter/Flow Control Trim  
Use with stop or diverter valves.  
Matches Aylesbury and Jacobean Series.

\$237

\$311

\$358



3-374

Diverter/Flow Control Trim  
Use with stop or diverter valves.  
Matches Aylesbury and Jacobean Series.

\$237

\$311

\$358



3-378

Diverter/Flow Control Trim  
Use with stop or diverter valves.  
Matches Sutton Series.

\$237

\$311

\$358



3-379

Diverter/Flow Control Trim  
Use with stop or diverter valves.  
Matches Sutton Series.

\$237

\$311

\$358



3-447

Diverter/Flow Control Handle  
**Crystal Handle.**  
Use with stop or diverter valves.  
Matches Metropole Series.

\$384

\$500

\$579



3-549

Diverter/Flow Control Trim  
Use with stop or diverter valves.  
Matches Kirsi and Pavani Series.

\$238

\$324

\$368



3-561

Diverter/Flow Control Trim. Lever Handle.  
Use with stop or diverter valves.  
Matches Vander Series.

\$264

\$355

\$408

# DIVERTER/FLOW CONTROL TRIM

I

II

III



**3-570**

Diverter/Flow Control Trim  
Use with stop or diverter valves.

\$294

\$389

\$443

Matches Slater Series.



**3-573**

Diverter/Flow Control Trim  
Use with stop or diverter valves.

\$228

\$308

\$355

Matches Dorrance Series.



**3-575**

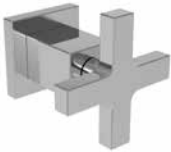
Diverter/Flow Control Trim  
Use with stop or diverter valves.

\$228

\$308

\$355

Matches Dorrance Series.



**3-577**

Diverter/Flow Control Trim  
Use with stop or diverter valves.

\$237

\$311

\$358

Matches Secant and Skylar Series.



**3-580**

Diverter/Flow Control Trim, Cold  
Use with stop or diverter valves.

\$263

\$337

\$389

Matches Malvina Series.



**3-581**

Diverter/Flow Control Trim, Cold  
Use with stop or diverter valves.

\$263

\$337

\$389

Matches Malvina Series.



**3-593**

Diverter/Flow Control Trim  
Use with stop or diverter valves.

\$230

\$312

\$381

Matches Ithaca Series.



**3-594**

Diverter/Flow Control Trim  
Use with stop or diverter valves.

\$228

\$308

\$355

Matches Joffrey Series.

# DIVERTER/FLOW CONTROL TRIM

I

II

III

	<b>3-595</b>	Diverter/Flow Control Trim. Arrow Insert. Use with stop or diverter valves.  Matches Metropole Series.	\$210	\$293	\$353
	<b>3-608</b>	Diverter/Flow Control Trim Use with stop or diverter valves.  Matches Keaton and Priya Series.	\$228	\$308	\$356
	<b>3-609</b>	Diverter/Flow Control Trim Use with stop or diverter valves.  Matches Metro Series.	\$246	\$334	\$381
	<b>3-644</b>	Diverter/Flow Control Trim Use with stop or diverter valves.  Matches Pardees Series.	\$241	\$338	\$421
	<b>3-645</b>	Diverter/Flow Control Trim Use with stop or diverter valves.  Matches Pardees Series.	\$241	\$338	\$421
	<b>3-646</b>	Diverter/Flow Control Trim Use with stop or diverter valves.  Matches Clemens Series.	\$241	\$338	\$421
	<b>3-647</b>	Diverter/Flow Control Trim Use with stop or diverter valves.  Matches Clemens Series.	\$241	\$338	\$421
	<b>3-648</b>	Diverter/Flow Control Trim Use with stop or diverter valves.  Matches Griffey Series.	\$241	\$338	\$421

# DIVERTER/FLOW CONTROL TRIM

I

II

III



**3-649**

Diverter/Flow Control Trim  
Use with stop or diverter valves.

\$241

\$338

\$421

Matches Griffey Series.



**3-692**

Diverter/Flow Control Trim  
Use with stop or diverter valves.

\$241

\$338

\$421

Matches Muncy Series.



**3-693**

Diverter/Flow Control Trim  
Use with stop or diverter valves.

\$241

\$338

\$421

Matches Muncy Series.



**3-721**

Diverter/Flow Control Trim. Lever Handle.  
Use with stop or diverter valves.

\$213

\$298

\$373

Matches Tolmin Series.



**3-722**

Diverter/Flow Control Trim. Cross Handle.  
Use with stop or diverter valves.

\$213

\$298

\$373

Matches Tolmin Series.



**3-727**

3/4" Diverter/Flow Control Trim  
Use with stop or diverter valves.

\$213

\$298

\$373

Matches Taft Series.



**20-511**

Round Diverter Plate  
Traditional.  
Optional use up to 2.5" hole.

\$204

\$275

\$317



**20-512**

Round Diverter Plate  
Contemporary.  
Optional use up to 2.5" hole.

\$204

\$275

\$317

# DIVERTER/FLOW CONTROL TRIM


I

II

III

	<b>20-513</b>	Square Diverter Plate Contemporary. Optional use up to 2.5" hole.	\$204	\$275	\$317
	<b>20-514</b>	Square Diverter Plate Traditional. Optional use up to 2.5" hole.	\$204	\$275	\$317
	<b>2-260</b>	3/4" Valve trim extension kit Extends 1-3/8". Please specify finish.	\$190	\$259	\$311
	<b>20-146</b>	1/2" Valve Trim Extension Kit Extends 1-3/8". Please specify finish.	\$273	\$368	\$423
	<b>1-617</b>	1/2" In-wall 2 & 3 way diverter valve 1 inlet, 3 outlets.**	\$279	—	—
	<b>1-606U</b>	1/2" inlet/outlet stop valve. (clockwise off)	\$195	—	—
	<b>1-607U</b>	3/4" inlet/outlet stop valve. (clockwise off)	\$265	—	—

### 1/2" in-wall diverter valves\* with:

	<b>1-701</b>	3 function with off. 1 inlet, 3 outlets.**	\$334	—	—
	<b>1-702</b>	5 function with off. 1 inlet, 3 outlets.	\$334	—	—
	<b>1-703</b>	3 function with pause. 1 inlet, 3 outlets.**	\$334	—	—
	<b>1-704</b>	2 function with off. 1 inlet, 2 outlets.**	\$334	—	—
	<b>1-705</b>	3 function with off. 1 inlet, 2 outlets.	\$334	—	—
	<b>1-706</b>	2 function with pause. 1 inlet, 2 outlets.**	\$334	—	—
	<b>1-707</b>	3 function no off. 1 inlet, 2 outlets.	\$334	—	—

\*SEE PAGES 312-315 FOR HOW TO USE THESE DIVERTERS.

\*\*Cal Green compliant

# SPECIALTY BATHROOM ACCESSORIES

I

II

III



**10-81**

Standing Toilet Tissue Holder  
Height 22". Base diameter 7-1/2".

\$407

\$483

\$610



**10-89**

Recessed Toilet Tissue Holder  
Mounting screw holes 3" c-c.  
Wood screws and clamp included.  
Rough in dimensions 5-1/4" x 5-1/4".

\$186

\$222


\$262





# BP TUB & SHOWER TRIM SETS





I

II

III

<b>Required Accessory</b>		<p>Newport Brass BP Valve with diverter, 4 port with service stops, universal 1/2" NPT &amp; direct sweat</p>
<b>1-685</b>		
<b>BP Valve</b>		
<b>Pricing</b>		
I    II    III		
\$384    —    —		

Series	Astor	Astor, Alveston & Chesterfield	Aylesbury	Chesterfield
Part #	3-912BP	3-922BP	3-2412BP	3-1032BP
Image				
Pricing	I    II    III \$875   \$1,134   \$1,309	I    II    III \$875   \$1,134   \$1,309	I    II    III \$1,214   \$1,575   \$1,818	I    II    III \$875   \$1,134   \$1,309

Series	East Linear & East Square	East Linear	Ithaca	Pavani
Part #	3-992BP	3-1502BP	3-2552BP	3-3102BP
Image				
Pricing	I    II    III \$942   \$1,227   \$1,415	I    II    III \$942   \$1,227   \$1,415	I    II    III \$1,530   \$2,066   \$2,297	I    II    III \$1,138   \$1,477   \$1,700

Series	Slater
Part #	3-2922BP
Image	
Pricing	I    II    III \$1,140   \$1,537   \$1,769


**SHOWER**





# BP TUB & SHOWER TRIM SETS





I

II

III

<b>Required Accessory</b>		<p>Newport Brass BP Valve, 3 port with service stops, universal 1/2" NPT &amp; direct sweat connections.</p>
<b>1-684</b>		
<b>BP Valve</b>		
<b>Pricing</b>		
I    II    III \$278   —   —		

Series	Amisa	Astor	Astor, Alveston & Chesterfield	Aylesbury & Jacobean
Part #	3-984BP	3-914BP	3-924BP	3-2404BP
Image				
Pricing	I    II    III \$783   \$1,016   \$1,176	I    II    III \$666   \$863   \$998	I    II    III \$666   \$863   \$998	I    II    III \$947   \$1,244   \$1,440


Series	Aylesbury & Jacobean	Chesterfield	Dorrance	East Linear & East Square
Part #	3-2414BP	3-1034BP	3-2974BP	3-994BP
Image				
Pricing	I    II    III \$947   \$1,244   \$1,440	I    II    III \$666   \$863   \$998	I    II    III \$1,160   \$1,560   \$1,802	I    II    III \$705   \$914   \$1,057

Series	East Linear & East Square	East Linear	Fairfield	Ithaca
Part #	3-994LBP	3-1504BP	3-1004BP	3-2554BP
Image				
Pricing	I    II    III \$705   \$914   \$1,057	I    II    III \$705   \$914   \$1,057	I    II    III \$690   \$895   \$998	I    II    III \$1,162   \$1,571   \$1,743










# BP SHOWER TRIM SETS

I II III

<b>Required Accessory</b>		<p>Newport Brass BP Valve, 3 port with service stops, universal 1/2" NPT &amp; direct sweat connections.</p>	
<b>1-684</b>			
BP Valve			
<b>Pricing</b>		I	II
	\$278	—	—


Series	Joffrey	Keaton	Kirsi	Malvina
Part #	3-2574BP	3-2494BP	3-3124BP	3-3144BP
Image				
Pricing	I II III \$1,209 \$1,634 \$1,877	I II III \$961 \$1,263 \$1,485	I II III \$883 \$1,149 \$1,321	I II III \$1,160 \$1,560 \$1,802


Series	Metro	Metropole	Miro	Pavani
Part #	3-2544BP	3-1204BP	3-1624BP	3-3104BP
Image				
Pricing	I II III \$1,244 \$1,683 \$1,934	I II III \$666 \$863 \$998	I II III \$783 \$1,016 \$1,174	I II III \$883 \$1,149 \$1,321

Series	Priya	Secant	Skylar	Slater
Part #	3-2484BP	3-2044BP	3-2564BP	3-2924BP
Image				
Pricing	I II III \$882 \$1,190 \$1,369	I II III \$1,002 \$1,295 \$1,499	I II III \$1,244 \$1,683 \$1,934	I II III \$857 \$1,159 \$1,334

SHOWER

# BP TUB & SHOWER TRIM SETS

<b>Required Accessory</b>		<p>Newport Brass BP Valve, 3 port with service stops, universal 1/2" NPT &amp; direct sweat connections.</p>
1-684		
BP Valve		
<b>Pricing</b> I    II    III \$278 — —		

<b>Series</b>	<b>Sutton</b>
Part #	3-2454BP
Image	
Pricing	I    II    III \$960 \$1,244 \$1,440

# TANK LEVERS

I II III

## HOW TO ORDER

STEP 1: ORDER THE MECHANISM WITH YOUR FINISH CHOICE.  
6-505 + Finish = 6-505/Finish (6-505 + Polished Chrome = 6-505/26)

STEP 2: ORDER THE HANDLE SELECTION WITH YOUR FINISH CHOICE  
2-436 + Finish = 2-436/Finish (2-436 + Polished Chrome = 2-436/26)

Required Accessory		
6-505		
Tank Lever Mechanism		
Pricing		
I	II	III
\$115	\$139	\$155



THE 6-505 ROTATES INTO A FRONT, SIDE OR ANGLED POSITION, MAKING IT COMPATIBLE WITH MANY TYPES OF TOILETS. WORKS WITH INSULATED TANKS (MAX 5/8" WALL THICKNESS.)

Series	Astor	Aylesbury, Jacobean & Sutton	Bevelle	Chesterfield	East Linear
Part Number	2-268	2-645	2-470	2-136	2-111H
Description	Tank Lever	Tank Lever	Tank Lever	Tank Lever	Tank Lever
Image					
Pricing	I II III \$141 \$183 \$195	I II III \$147 \$190 \$223	I II III \$225 \$293 \$314	I II III \$141 \$183 \$195	I II III \$192 \$269 \$327

Series	East Linear	Metropole	Miro	Seaport	Secant
Part Number	20-289	2-279	2-436	2-116	20-406
Description	Tank Lever	Tank Lever	Tank Lever	Tank Lever	Tank Lever
Image					
Pricing	I II III \$192 \$269 \$327	I II III \$169 \$217 \$235	I II III \$133 \$172 \$185	I II III \$80 \$109 \$187	I II III \$74 \$101 \$173

SHOWER

Series	Secant
Part Number	20-407
Description	Tank Lever
Image	
Pricing	I II III \$129 \$175 \$201

<b>500</b>
Tank Lever for commonly used toilets (8" arm). Front mount Solid Brass. May be used with Devonshire toilets.
I II III \$99 \$155 \$179



# Quick Reference Guide

CATEGORY SECTION PAGE

## **KITCHEN**

AIR GAPS .....	NEWPORT KITCHEN .....	PG <a href="#">75</a>
FAUCET HOLE COVERS .....	NEWPORT KITCHEN .....	PG <a href="#">75</a>
SOAP DISPENSERS .....	NEWPORT KITCHEN .....	PG <a href="#">77</a>
WATER DISPENSERS .....	NEWPORT KITCHEN .....	PG <a href="#">68</a>
HOT WATER TANKS .....	NEWPORT KITCHEN .....	PG <a href="#">74</a>
GARBAGE DISPOSER TRIM .....	BRASSTECH KITCHEN .....	PG <a href="#">365</a>
BASKET STRAINERS .....	BRASSTECH KITCHEN .....	PG <a href="#">365</a>

## **TUB & SHOWER**

DECORATIVE DRAINS .....	NEWPORT SHOWER .....	PG <a href="#">324</a>
SHOWER HEADS .....	NEWPORT SHOWER .....	PG <a href="#">328</a>
SHOWER ARMS & FLANGES .....	NEWPORT SHOWER .....	PG <a href="#">329</a>
HAND SHOWERS SETS .....	NEWPORT SHOWER .....	PG <a href="#">335</a>
SHOWER PARTS .....	NEWPORT SHOWER .....	PG <a href="#">340</a>
TUB SPOUTS .....	NEWPORT SHOWER .....	PG <a href="#">344</a>
SHOWER & TUB DRAINS .....	BRASSTECH TUB & SHOWER .....	PG <a href="#">366</a>
WASTE & OVERFLOWS .....	BRASSTECH TUB & SHOWER .....	PG <a href="#">366</a>
FACE PLATES & STRAINERS .....	BRASSTECH TUB & SHOWER .....	PG <a href="#">367</a>
DRAIN KITS .....	BRASSTECH TUB & SHOWER .....	PG <a href="#">367</a>

## **TANK & LAVATORY**

DRAINS & TRAPS .....	BRASSTECH TANK & LAVATORY .....	PG <a href="#">368</a>
LAVATORY DRAIN ASSEMBLIES .....	BRASSTECH TANK & LAVATORY .....	PG <a href="#">369</a>
SUPPLY VALVES, TUBES & FLANGES .....	BRASSTECH TANK & LAVATORY .....	PG <a href="#">370</a>
PIPE NIPPLES & COVER CASING .....	BRASSTECH TANK & LAVATORY .....	PG <a href="#">372</a>
TOILET SUPPLY KITS .....	BRASSTECH TANK & LAVATORY .....	PG <a href="#">373</a>
LAVATORY SUPPLY KITS .....	BRASSTECH TANK & LAVATORY .....	PG <a href="#">374</a>

## **KITCHEN**

GARBAGE DISPOSER TRIM/STOPPERS . . . . . PG [365](#)

3-1/2" DIAMETER BASKET STRAINERS . . . . . PG [365](#)

## **TUB & SHOWER**

SHOWER & TUB DRAINS . . . . . PG [366](#)

WASTE & OVERFLOWS . . . . . PG [366](#)

FACEPLATE & STRAINERS . . . . . PG [367](#)

DRAIN KITS . . . . . PG [367](#)

## **TANK & LAVATORY**

TRAPS . . . . . PG [368](#)

SUPPLY VALVES, TUBES & FLANGES . . . . . PG [370](#)

SUPPLY TUBES . . . . . PG [372](#)

PIPE NIPPLES & COVER CASING . . . . . PG [372](#)

RIGID RISER SUPPLY KITS . . . . . PG [372](#)

**BRASSTECH TOTAL SOLUTIONS . . . . . PG [376](#)**

NEWPORT BRASS®  
Brasstech

# BRASSTECH - KITCHEN

I

II

III



**112** Garbage Disposer Flange. Fits most In-Sink-Erator models (also KitchenAide, Emerson, Kenmore and Grainger). Made of brass.

\$88 \$124 \$146

**112A** Deep Garbage Disposer Flange. Fits farm style and fireclay sinks 2-1/2" deep.

\$105 \$133 \$162



**113** Garbage Disposer Stopper. Fits No. 112 & 112A above. Made of brass.

\$54 \$85 \$104



**120** Large Basket Strainer, Wing Nut Locking Style, with nuts and washers. Solid Brass. Fits 3-1/2" opening.

\$202 \$235 \$274



**121** Large Basket Strainer, Post Type, with nuts and washers. Solid Brass. Fits 3-1/2" opening.

\$162 \$190 \$213



**122** Large Brass Basket Strainer, Post Type, with strainer and nuts. Fits 3-1/2" opening.

\$157 \$179 \$207

**122LS** Same as above with 1" extension.

\$167 \$185 \$215



## Decorative Drains

See Newport Brass Shower Section Page 324



**230** 3-1/4" Drain Trim Set. Consists of grill, crown and screws. Fits Plumbing Products drains. \$45 \$58 \$70



**231** Deluxe Trim Set. Consists of grill, crown, screws, No. 230 Drain Trim Set. \$89 \$114 \$147



**236** Fits Casper Strainer No. 129, Sioux Chief, Intercon, Prier Brass and B&K. 4-1/4" O.D. 2-7/8" prong to prong. \$55 \$65 \$76



**238** Solid Brass Strainer for Plastic Oddities, Prier Brass, Richmond Foundry, Sioux Chief, C.P. Industries and Rapidfit shower drains. 4" diameter. 3-3/8" c-c screw holes. \$76 \$89 \$103



**111-2961** Pivoting Waste & Overflow. Lift & Turn Style with 2-hole faceplate. Maximum make-up 22-5/8". \$761 \$950 \$1,286

All Parts Polished For Use with Tubs on Legs.



**111-2962** Pivoting Waste & Overflow. Toe Activated Style with 2-hole faceplate. Maximum make-up 22-5/8". \$761 \$950 \$1,286

All Parts Polished For Use with Tubs on Legs.



**257** Waste & Overflow, Lift & Turn Style with Maximum make-up 22". \$540 \$728 \$874

All Parts Polished For Use With Tubs On Legs.



# BRASSTECH - TUB & SHOWER

I

II

III



255

Toe-Activated Waste & Overflow. Includes No. 265 Faceplate and No. 272 Tub Drain. Other parts are in ABS plastic. 22" high, 6" shoe. Not assembled. Can be cut for lesser height.

\$246

\$299

\$336



260

Gerber-type Strainer and Screw for Waste & Overflow. 3" overall.

\$53

\$62

\$72



265

Faceplate for Waste & Overflow  
1 hole with screws. Solid Brass. 3" overall.

\$61

\$72

\$89



266

Faceplate for Waste & Overflow  
2 holes with screws. Solid Brass. 3" overall.

\$68

\$83

\$100



267

Round Trip Lever Faceplate with screws  
Solid Brass. 3" overall.

\$71

\$93

\$114



270

Lift & Turn Bath Plug  
1-1/2" IPS coarse thread.

\$93

\$114

\$126



272

Toe-Activated Tub Drain  
1-1/2" coarse thread strainer shoes,  
including Gerber, Rapid Fit and Watco.  
Solid Brass.

\$114

\$146

\$177



273

Toe-Activated Drain Kit  
One hole. Includes Nos. 272 & 265.

\$152

\$189









\$223

# BRASSTECH - TUB & SHOWER

I

II

III

	274	Toe-Activated Drain Kit Two holes. Includes Nos. 272 & 266.	\$173	\$215	\$252
	275	Trip Lever Drain Kit Includes Nos. 260 & 267.	\$100	\$126	\$168
	276	Toe-Activated Drain Kit with ABS shoe & overflow elbow. Includes Nos. 272 & 265.	\$168	\$215	\$240
	300	1-1/2" x 1-1/2" "P" Trap, less flange, 17 gauge. Also fits 1-1/4" tailpiece.	\$186	\$242	\$261
	301	1-1/4" x 1-1/4" "P" Trap, less flange, 17 gauge.	\$160	\$208	\$240
	301-2	1-1/4" x 1-1/4" contemporary P-Trap. Comes with 1-1/4" x 1-1/2" bushing adapter for connection to 1-1/2" sewer line. Wall flange sold separately.	\$336	\$462	\$524
	3016	301-2 packaged with 314 flange.	\$369	\$517	\$583
	3013	"P" Trap Kit. Includes No. 300 "P" Trap and High Box Flange. Packed in one box.	\$226	\$281	\$324
	3013-1	Same as 3013 only the wall bend tube is 24" long.	\$314	\$391	\$446
	3014	"P" Trap Kit. Includes No. 301 "P" Trap and High Box Flange. Packed in one box	\$208	\$261	\$303
	3014-1	Same as 3014 only the wall bend tube is 24" long.	\$314	\$391	\$446

# BRASSTECH - TUB & SHOWER

I

II

III



**314** High Box Flange. Deep. For 1-1/4" O.D.  
1-1/4" I.D. x 3" O.D. x 1-3/4" HT. \$54 \$66 \$77



**321** P.O. Plug with Flat Strainer Plate  
Fits 1-5/8" to 1-3/4" opening. Has overflow holes.  
Tailpiece 1-1/4" O.D. \$116 \$160 \$176

**3212** Same as 321 fully finished. \$183 \$221 \$253

**3211** Same as 321 with no overflow. \$116 \$160 \$176

**3213** Same as 3211 fully finished. \$183 \$221 \$253



**499** Dome Cap Drain with Overflow \$127 \$182 \$194

**499-1** Same as 499 without Overflow \$127 \$182 \$194

**499-2** Same as 499 fully Finished \$224 \$301 \$343

**499-3** Same as 499-1 fully Finished \$224 \$301 \$343



**324** Lavatory Pop-Up Drain Assembly  
with no overflow. For glass sinks.  
Fits 1-5/8" to 1-3/4" opening. Completely Finished. \$227 \$303 \$347



**325** Lavatory Pop-Up Drain Assembly  
with overflow. Fits 1-5/8" to 1-3/4" opening. \$158 \$215 \$245



**3251** Pop-Up Lift Rod Extension Kit. Available  
in raw brass only. Fits pop-up rod or  
horizontal lift rod on pop-up assembly.  
Non-Finished Item. \$53 — —



**326** Full Lavatory Pop-Up Drain Assembly  
with overflow. Fits 1-5/8" to 1-3/4" opening.  
Completely Finished. \$218 \$284 \$327



**330** Push Pop-Up Assembly  
Fits 1-5/8" to 1-3/4" opening. Has overflow holes.  
Tailpiece 1-1/4" O.D. \$144 \$201 \$231

**3302** Same as 330 above fully finished. \$193 \$234 \$265

**3301** Same as 330 no overflow. \$158 \$215 \$245

**3303** Same as 3301 fully finished. \$193 \$234 \$265



327

1-1/4" x 8" Tail Piece for lavatory drain  
(Works only with #324, #325, and #326)

\$91

\$109

\$121



328

1-1/4" O.D. x 8" Slip Joint Extension Tube  
Works for all 1-1/4" drains.

\$105

\$132

\$146



401

Angle Valve  
Inlet 1/2" IPS. Outlet 3/8" O.D. Compression.

\$91

\$109

\$121



401X

Angle Valve with Cross Handle  
Inlet 1/2" IPS. Outlet 3/8" O.D. Compression.

\$116

\$153

\$173



404X

Angle Valve with Cross Handle  
Inlet 3/8" IPS. Outlet 3/8" O.D. Compression.

\$116

\$153

\$173



403

Angle Valve  
Inlet 1/2" Compression.  
Outlet 3/8" O.D. Compression.

\$109

\$131

\$152



403X

Angle Valve with Cross Handle  
Inlet 1/2" compression.  
Outlet 3/8" O.D. Compression.

\$130

\$173

\$191



403-1

1/4" Turn Ceramic Disk  
Angle valve, contemporary style with lever handle.  
Inlet 1/2" compression.  
Outlet 3/8" compression.

\$220

\$299

\$341

# BRASSTECH - TANK & LAVATORY

I

II

III



**403-3** 1/4" turn Ceramic Disk  
Angle valve square contemporary style.  
Inlet 1/2" compression.  
Outlet 3/8" compression.

\$269

\$329

\$366



**403X-1** 1/4" turn Ceramic Disk  
Angle valve contemporary style with cross handle.  
Inlet 1/2" compression.  
Outlet 3/8" compression.

\$275

\$325

\$366



**403X-2** 1/4" turn Ceramic Disk  
Angle valve traditional style with cross handle.  
Inlet 1/2" compression.  
Outlet 3/8" compression.

\$226

\$307

\$350



**412** Straight Valve  
Inlet 1/2" Compression.  
Outlet 3/8" O.D. Compression.

\$105

\$132

\$142



**416** Angle Valve  
1/2" sweat x 3/8" O.D. Compression  
with 11/16" bell flange.

\$138

\$171

\$205



**416X** Angle Valve with Cross Handle  
1/2" sweat x 3/8" O.D.  
Compression with 11/16" bell flange.

\$171

\$231

\$258



**417** Straight Valve. 1/2" sweat x 3/8" O.D.  
Compression with 11/16" bell flange.

\$138

\$182

\$207



**417X** Straight Valve with Cross Handle  
1/2" sweat x 3/8" O.D.  
Compression with 11/16" bell flange.

\$182

\$248

\$284

# BRASSTECH - TANK & LAVATORY

I

II

III



432

3/8" O.D. x 20" Bullnose Rigid Supply Tube

\$61

\$72

\$84



435

3/8" O.D. x 12" Flat Head Rigid Supply Tube

\$50

\$66

\$76



436

3/8" O.D. x 20" Flat Head Rigid Supply Tube

\$54

\$76

\$81



440

Brass Flange  
Sure Grip. For 3/8" IPS.  
.675" I.D. x 2-1/2" O.D. x 13/32" HT.

\$35

\$42

\$45



441

Brass Flange  
Sure Grip. For 5/8" O.D. Same as 1/2" Compression.  
5/8" I.D. x 2-1/2" O.D. x 13/32" HT.

\$36

\$44

\$50



442

Brass Flange  
Sure Grip. For 1/2" IPS.  
.84" I.D. x 2-1/2" O.D. x 13/32" HT.

\$36

\$44

\$50



448

1/2" IPS x 6" Brass Nipple

\$65

\$83

\$92



450

1/2" IPS x 4" Brass Nipple

\$55

\$65









\$69



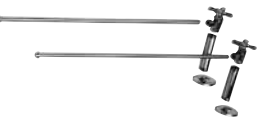

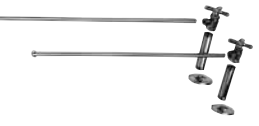



# BRASSTECH - TANK & LAVATORY

I

II

III

	451	3/8" IPS x 4" Brass Nipple	\$55	\$65	\$69
	455	3/4" O.D. x 10" Cover Casing Fits over 1/2" copper and 3/8" I.P.S.	\$55	\$65	\$69
	482	Toilet Supply Kit 1/2" Compression x 3/8" Includes: (1) 403: Angle Valve. Inlet 1/2" Compression.* Outlet 3/8" O.D. Compression. (1) 436: 3/8" O.D. x 20" Flat Head Rigid Supply Tube. (1) 441: Brass Flange. Sure Grip. For 5/8" O.D.* Same as 1/2" Compression. 5/8" I.D. x 2-1/2" O.D. x 13/32" HT.	\$154	\$195	\$226
	482X	Toilet Supply Kit with Cross Handle 1/2" Compression x 3/8" Includes: (1) 403X: Angle Valve with Cross Handle. Inlet 1/2" compression. Outlet 3/8" O.D. Compression. (1) 436: 3/8" O.D. x 20" Flat Head Rigid Supply Tube. (1) 441: Brass Flange. Sure Grip. For 5/8" O.D.* Same as 1/2" Compression. 5/8" I.D. x 2-1/2" O.D. x 13/32" HT.	\$182	\$248	\$279
	482-1	Toilet Supply Kit 1/2" Compression x 3/8" O.D. Includes: (1) 403-1: 1/4" Turn Ceramic disk. Angle valve, contemporary style with lever handle. Inlet 1/2" compression. Outlet 3/8" compression. (1) 436: 3/8" O.D. x 20" Flat Head Rigid Supply Tube. (1) 441: Brass Flange. Sure Grip. For 5/8" O.D.* Same as 1/2" Compression. 5/8" I.D. x 2-1/2" O.D. x 13/32" HT.	\$274	\$376	\$433
	482X-1	Toilet Supply Kit 1/2" Compression x 3/8" O.D. Includes: (1) 403X-1: 1/4" turn ceramic disk. Angle valve contemporary style with cross handle. Inlet 1/2" compression. Outlet 3/8" compression. (1) 436: 3/8" O.D. x 20" Flat Head Rigid Supply Tube. (1) 441: Brass Flange. Sure Grip. For 5/8" O.D.* Same as 1/2" Compression. 5/8" I.D. x 2-1/2" O.D. x 13/32" HT.	\$292	\$395	\$450
	482X-2	Toilet Supply Kit 1/2" Compression x 3/8" O.D. Includes: (1) 403X-2: 1/4" turn ceramic disk. Angle valve traditional style with cross handle. Inlet 1/2" compression. Outlet 3/8" compression. (1) 436: 3/8" O.D. x 20" Flat Head Rigid Supply Tube. (1) 441: Brass Flange. Sure Grip. For 5/8" O.D.* Same as 1/2" Compression. 5/8" I.D. x 2-1/2" O.D. x 13/32" HT.	\$292	\$395	\$450
	482-3	Toilet Supply Kit 1/2" Compression x 3/8" O.D. Includes: (1) 403-3: 1/4" turn ceramic disk. Angle valve square contemporary style. Inlet 1/2" compression. Outlet 3/8" compression. (1) 436: 3/8" O.D. x 20" Flat Head Rigid Supply Tube. (1) 441: Brass Flange. Sure Grip. For 5/8" O.D.* Same as 1/2" Compression. 5/8" I.D. x 2-1/2" O.D. x 13/32" HT.	\$323	\$443	\$510

	495	Toilet Supply Kit. 1/2" Compression x 3/8" Includes: (1) 403: Angle Valve. Inlet 1/2" Compression.* Outlet 3/8" O.D. Compression. (1) 435: 3/8" O.D. x 12" Flat Head Rigid Supply Tube. (1) 441: Brass Flange. Sure Grip. For 5/8" O.D.* Same as 1/2" Compression. 5/8" I.D. x 2-1/2" O.D. x 13/32" HT.	\$149	\$193	\$247
	495X	Toilet Supply Kit with Cross Handle 1/2" Compression x 3/8" Includes: (1) 403X: Angle Valve with Cross Handle. Inlet 1/2" compression. Outlet 3/8" O.D. Compression. (1) 435: 3/8" O.D. x 12" Flat Head Rigid Supply Tube. (1) 441: Brass Flange. Sure Grip. For 5/8" O.D.* Same as 1/2" Compression. 5/8" I.D. x 2-1/2" O.D. x 13/32" HT.	\$171	\$248	\$289
	490X	Lavatory Supply Kit with Cross Handle 3/8" IPS Includes: (2) 404X: Angle Valve with Cross Handle. Inlet 3/8" IPS. Outlet 3/8" O.D. Compression. (2) 432: 3/8" O.D. x 20" Bullnose Rigid Supply Tube. (2) 440: Brass Flange. Sure Grip. For 3/8" IPS.* .675" I.D. x 2-1/2" O.D. x 13/32" HT. (2) 451: 3/8" IPS x 4" Brass Nipple.	\$366	\$515	\$583
	491	Lavatory Supply Kit. 1/2" IPS x 3/8" O.D. Includes: (2) 401: Angle Valve. Inlet 1/2" IPS.* Outlet 3/8" O.D. Compression. (2) 432: 3/8" O.D. x 20" Bullnose Rigid Supply Tube. (2) 442: Brass Flange. Sure Grip. For 1/2" IPS. .84" I.D. x 2-1/2" O.D. x 13/32" HT. (2) 450: 1/2" IPS x 4" Brass Nipple.	\$281	\$391	\$407
	491X	Lavatory Supply Kit with Cross Handle 1/2" IPS x 3/8" O.D. Includes: (2) 401X: Angle Valve with Cross Handle. Inlet 1/2" IPS. Outlet 3/8" O.D. Compression. (2) 432: 3/8" O.D. x 20" Bullnose Rigid Supply Tube. (2) 442: Brass Flange. Sure Grip. For 1/2" IPS. .84" I.D. x 2-1/2" O.D. x 13/32" HT. (2) 450: 1/2" IPS x 4" Brass Nipple.	\$361	\$512	\$583
	493	Lavatory Supply Kit 1/2" Compression x 3/8" Includes: (2) 403: Angle Valve. Inlet 1/2" Compression.* Outlet 3/8" O.D. Compression. (2) 432: 3/8" O.D. x 20" Bullnose Rigid Supply Tube. (2) 441: Brass Flange. Sure Grip. For 5/8" O.D. Same as 1/2" Compression. 5/8" I.D. x 2-1/2" O.D. x 13/32" HT.	\$292	\$439	\$488
	493X	Lavatory Supply Kit with Cross Handles 1/2" Compression x 3/8" Includes: (2) 403X: Angle Valve with Cross Handle. Inlet 1/2" compression. Outlet 3/8" O.D. Compression. (2) 432: 3/8" O.D. x 20" Bullnose Rigid Supply Tube. (2) 441: Brass Flange. Sure Grip. For 5/8" O.D.* Same as 1/2" Compression. 5/8" I.D. x 2-1/2" O.D. x 13/32" HT.	\$329	\$462	\$536
	493-1	Lavatory Supply Kit 1/2" Compression x 3/8" O.D. Includes: (2) 403-1: 1/4" Turn Ceramic disk. Angle valve, contemporary style with lever handle. Inlet 1/2" compression. Outlet 3/8" compression. (2) 432: 3/8" O.D. x 20" Bullnose Rigid Supply Tube. (2) 441: Brass Flange. Sure Grip. For 5/8" O.D.* Same as 1/2" Compression. 5/8" I.D. x 2-1/2" O.D. x 13/32" HT.	\$519	\$717	\$823





<b>493X-1</b>	<p>Lavatory Supply Kit 1/2" Compression x 3/8" O.D.</p> <p>Includes:</p> <ul style="list-style-type: none"> <li>(2) 403X-1: 1/4" turn ceramic disk. Angle valve contemporary style with cross handle. Inlet 1/2" compression. Outlet 3/8" compression.</li> <li>(2) 432: 3/8" O.D. x 20" Bullnose Rigid Supply Tube.</li> <li>(2) 441: Brass Flange. Sure Grip. For 5/8" O.D.* Same as 1/2" Compression. 5/8" I.D. x 2-1/2" O.D. x 13/32" HT.</li> </ul>	\$545	\$732	\$851
---------------	--	-------	-------	-------



<b>98000</b>	<p>Brass ProTech - 6 oz.</p> <p>Exclusively made to clean, polish, and protect Newport Brass and Brasstech products. Easy application. Cannot be used on Living Finishes.</p>	\$29	—	—
--------------	---	------	---	---

# B TOTAL SOLUTIONS™

BY BRASSTECH



**401 - ANGLE VALVE 1/2" IPS x 3/8" OD COMPRESSION**



**403 - ANGLE VALVE 1/2" COMPRESSION, 3/8" OD COMPRESSION**



**416X - ANGLE VALVE with CROSS HANDLE and BELL FLANGE**



**417X - STRAIGHT VALVE with CROSS HANDLE and BELL FLANGE**



**432 - RIGID SUPPLY TUBES BULLNOSE**



**436 - RIGID SUPPLY TUBES FLATHEAD**



**441 - BRASS FLANGE SURE GRIP**



**3014 - 1-1/4" x 1-1/4" P-TRAP with HIGH BOX FLANGE**



**3015P - 1-1/2" x 1-1/2" x 2" PVC P-TRAP**

**3 TOTAL SOLUTION  
KITS  
4 FINISHES**

AVAILABLE IN THE  
FOLLOWING 4 FINISHES

15

POLISHED NICKEL

15S

SATIN NICKEL

26

POLISHED CHROME

10B

OIL RUBBED BRONZE

## YOUR DESIGN STORY, UNABRIDGED

ACHIEVE DESIGN CONTINUITY FROM THE GROUND UP WITH TOTAL SOLUTIONS KITS BY BRASSTECH. AT LAST, EVERY DECORATIVE PLUMBING PART YOU NEED TO COMPLETE A DESIGN PROJECT IS NOW OFFERED TOGETHER IN 3 UNIQUE COLLECTIONS AND FOUR HARMONIZING FINISHES. FROM P-TRAP TO SUPPLY TUBE, TELL THE DETAILS OF YOUR DESIGN STORY WITH TOTAL SOLUTIONS.

Kit	Qty	Parts	Description	Group I	Group II
<b>LAVATORY SWEAT SUPPLY KITS</b>					
<b>#4772</b> W A L L	1	3014	1-1/4" X 1-1/4" P TRAP W/ HIGH BOX FLANGE.		
	2	416X	ANGLE VALVE W/ CROSS HANDLE 1/2" SWEAT X 3/8" OD COMP W/ 11/16" BELL FLANGE.		
	2	432	3/8" OD X 20" BULLNOSE RIGID SUPPLY TUBE.	\$527	\$725
<b>TOILET KITS</b>					
<b>#4774</b> F L O O R	1	417X	STRAIGHT VALVE W/ CROSS HANDLE 1/2" SWEAT X 3/8" OD COMP W/ 11/16" BELL FLANGE.		
	1	436	3/8" OD X 20" FLAT HEAD RIGID SUPPLY TUBE.	\$208	\$285
<b>#4775</b> W A L L	1	416X	ANGLE VALVE W/ CROSS HANDLE 1/2" SWEAT X 3/8" OD COMP W/ 11/16" BELL FLANGE.		
	1	436	3/8" OD X 20" FLAT HEAD RIGID SUPPLY TUBE.	\$197	\$281

# PRODUCT USAGE GUIDE

## 2-PIECE WATER CLOSETS

If the water supply  
coming out of the wall is:

USE:

1/2" COPPER PIPE

Brasstech Toilet Supply Kits  
No. 482 with rigid risers and No. 403 angle valve with 1/2" nominal compression inlet and 3/8" compression outlet.

1/2" IRON PIPE (IPS)

Brasstech Toilet Supply Kits  
No. 481 with rigid risers and No. 401 angle valve with 1/2" IPS inlet and 3/8" O.D. compression outlet.

3/8" IRON PIPE

Brasstech Toilet Supply Kits  
No. 480 with rigid riser and No. 404 angle valve with 3/8" iron pipe inlet and 3/8" O.D. outlet.  
If a flexible riser is required, use the No. 404 angle valve with any 3/8" O.D. flexible riser and appropriate flange.

## 1-PIECE WATER CLOSETS

NOTE: 1-PIECE WATER CLOSETS REQUIRE FULL 1/2" SUPPLY TO FUNCTION PROPERLY. THEY SHOULD NOT BE INSTALLED WHERE THE WATER SUPPLY IS ONLY 3/8".  
VERIFY WITH TOILET MANUFACTURER FOR APPROPRIATE SIZE WATER SUPPLY.

If the water supply  
coming out of the wall is:

USE:

1/2" COPPER PIPE

Brasstech Toilet Supply Kits  
No. 483 with rigid risers and No. 402 angle valve with 1/2" nominal compression inlet and 1/2" O.D. outlet.

1/2" IRON PIPE (IPS)

Brasstech Toilet Supply Kits  
No. 481 with rigid risers and No. 400 angle valve with 1/2" IPS inlet and 1/2" O.D. outlet.

## PEDESTAL SINKS

If the water supply  
coming out of the wall is:

USE:

1/2" COPPER PIPE

Brasstech Lavatory Supply Kits  
Nos. 483 or 494 kits with rigid risers. and No. 402 angle valve with 1/2" nominal compression inlet and 1/2" O.D. outlet.  
2 kits required per sink.

1/2" IRON PIPE (IPS)

Brasstech Lavatory Supply Kits  
Nos. 491 with rigid riser. and No. 400 angle valve with 1/2" IPS inlet and 1/2" O.D. outlet.  
2 kits required per sink.

3/8" IRON PIPE

Brasstech Lavatory Supply Kits  
No. 490 with rigid riser and No. 404 angle valve with 3/8" IPS inlet.  
1 kit required per sink.

# PARTS PRICE LIST

ITEM NO.	DESCRIPTION	I	II	III
<b>KITCHEN ACCESSORIES</b>				
1-064	KITCHEN SINGLE LEVER CARTRIDGE	195		
1-536	DIVERTER/TEE ASSEMBLY FOR 943/946	207		
2-101	BASE RING FOR 9901, 9901L, 9911 OR 9911L	97	133	162
2-119B	SPRAY HEAD FOR 129	202	273	260
2-174	KITCHEN SPOUT FOR 943	675	775	925
2-175	KITCHEN SPOUT FOR 940 OR 941	379	532	637
2-176	HANDLE FOR 940 OR 941	261	369	438
3-246	KITCHEN SPOUT ASSEMBLY FOR 9911 OR 9911L	792	1069	1018
3-366	KITCHEN SPOUT ASSEMBLY FOR 9901 OR 9901L	641	864	823
2-614	KITCHEN SPOUT FOR 942	495	610	750
2-708	SPRAY HEAD FOR 2470-5703	288	389	370
50648	POWER ADAPTOR FOR ALL NWP AIR SWITCHES	180		
91321	PVC TUBING FOR ALL NWP AIR SWITCHES	4		
92297	WRENCH FOR 940,941 2493	7		
11208	KITCHEN DIVERTER CARTRIDGE	4		
<b>KITCHEN - PULLDOWNS</b>				
1-064	KITCHEN SINGLE LEVER CARTRIDGE	195		
91534	CARTRIDGE STEM INSERT	3		
11874	CARTRIDGE ADAPTER SCREW 1500 & 2940 SERIES	9		
92035	CARTRIDGE ADAPTER SCREW 2500 SERIES ONLY	3		
1-256	PULL DOWN FAUCET MOUNTING KIT	15		
1-286	PULL DOWN WEIGHT	14		
1-286A	PULL DOWN WEIGHT FOR 1500-5413 ONLY	29		
11877	HOSE FOR PULLDOWN KITCHEN FAUCETS	62		
AB11877A	HOSE FOR PULLDOWN KITCHEN FAUCET 1500-5143 ONLY	72		
91544	MAGNETIC DOCKING	35		
91568	RETAINER CLIP FOR PULLDOWN HOSE	3		
12823	HANDLE HUB 1500 SERIES	97	130	124
12835	HANDLE HUB 2470 SERIES	78	105	100
12836	HANDLE HUB 1200 SERIES	97	130	124
12837	HANDLE HUB 2940 SERIES	97	130	124
12838	HANDLE HUB 1030 SERIES	141	191	182
2-745	HANDLE 2510 SERIES	101	137	130
2-790	HANDLE 2500 SERIES	127	171	197
20-313	HANDLE 1500 SERIES	116	158	150
20-314	HANDLE 2470 SERIES	101	131	125
20-315	HANDLE 2940 SERIES	116	158	150
20-316	HANDLE 1030 SERIES	103	139	132
3-415	SPRAY HEAD 2510 SERIES	110	147	168
3-416	SPRAY HEAD 1500 SERIES (WIDE)	158	212	244
3-417	SPRAY HEAD 1030, 2470 SERIES	142	186	212
3-443	SPRAY HEAD 1200 SERIES	225	303	289
3-463	SPRAY HEAD 2500 SERIES	307	415	395
3-480	SPRAY HEAD (SMALL) FOR 1500 SERIES	198	268	255
3-571	SPRAY HEAD 2940 SERIES	198	268	255
3-590	SPRAY HEAD 3210 SERIES	288	389	370
3-592	SPRAY HEAD 3200 SERIES	211	287	273
3-597	SPRAY HEAD 3170 SERIES	263	354	337

## PARTS PRICE LIST

ITEM NO.	DESCRIPTION	I	II	III
<b>KITCHEN - BRIDGE FAUCETS</b>				
1-005	COLD CART FOR LAV BRIDGE FAUCETS	68		
1-006	HOT CART FOR LAV BRIDGE FAUCETS	68		
1-151	STEM EXTENSION FOR 9451-1, 9452-1, 9453-1, 9459, AND 9460	113		
1-152	UPPER SEAT ASSEMBLY	33		
1-153	STEM EXTENSION FOR 945-1, 9456, 9458, & 9462	107		
1-396	DIVERter ASM FOR 1500-5412 & 1500-5413	53		
1-555	COLD BLOCK FOR 2-472	271		
1-556	HOT BLOCK FOR 2-472	160		
1-747	COLD BLOCK ASM FOR 1-396	459		
1-748	HOT BLOCK ASM FOR 1-396	269		
2-472	DIVERter ASM FOR BRIDGE FAUCETS W/SIDE SPRAY	371		
11208	DIVERter CARTRIDGE	4		
12062	HANDLE ADAPTER	4		
12259	HANDLE BONNET	37	51	49
92539	ADAPTER SCREW	3		
<b>KITCHEN - POTFILLERS</b>				
11301	MOUNTING FLANGE FOR 1030, 1200, AND 2470 SERIES	44		
11309	MOUNTING FLANGE FOR 1500 AND 2940 SERIES	77	106	101
11711	AERATOR INSERT FOR 2500-5503	7		
11817	MOUNTING FLANGE FOR 2500 SERIES	13		
2-518	AERATOR FOR 1030, 1200, 2470, 9481, & 9482 SERIES	54	69	86
2-555	TRADITIONAL DECORATIVE FLANGE	141	188	229
2-556	MODERN DECORATIVE FLANGE	116	159	189
2-563	AERATOR FOR 2940 & 9485 SERIES	38	51	57
92223	LONG MOUNTING SCREW (4 REQUIRED)	3		
92231	MOUNTING FLANGE SET SCREW	3		
92245	MOUNTING FLANGE SET SCREW FOR 2500-5503	3		
<b>TUB/SHOWER SETS</b>				
1-028	BP CARTRIDGE FOR 1-504 & 1-505	161		
1-043	DIVERter CARTRIDGE FOR 1-505 AND 1-595	104		
1-068	BP FILTER (2 REQUIRED) FOR 1-504 & 1-505	48		
1-073	BP DIVERter 3/4" EXTENSION KIT	122		
1-074	BP STEM KIT	122		
1-102	1-540 THERMOSTATIC CARTRIDGE	379		
1-103	1-540 CHECK VALVE	44		
1-207	BP CARTRIDGE FOR 1-594 & 1-595	223		
1-249	BP STEM EXTENSION KIT, 3" LONG	75		
1-255	BP STEM EXTENSION 20 POINT FOR 1-504 & 1-505	58		
1-278	CHECK VALVES FOR 1-684 & 1-685	46		
1-279	BP DIVERter CARTRIDGE FOR 1-685	60		
1-280	BP CARTRIDGE FOR 1-684 & 1-685	145		
1-452	COLD CARTRIDGE FOR 1-500U, 1-532U	126		
1-453	HOT CARTRIDGE FOR 1-500U, 1-532U, 1-606U CARTRIDGE	126		
1-454	CARTRIDGE FOR 1-607U	160		
1-455	RETAINING NUT 1-500U, 1-532U, 1-606U, 1-607U	79		
1-535	REMOTE BALANCE PRESSURE VALVE	399		
10489	4" ALL-THREAD NIPPLE/COUPLING	26		
10493	BP LIMIT STOP FOR 1-594, 1-595	14		
10494	BP MECHANICAL STOP FOR 1-594, 1-595	9		
10631	ALL THREAD NIPPLE	14		
11491	CHECK VALVES FOR 1-594 & 1-595	9		
20-511	ROUND DIVERter PLATE, TRADITIONAL, OPTIONAL USE UP TO 2.5" HOLE	204	275	317
20-512	ROUND DIVERter PLATE, CONTEMPORARY, OPTIONAL USE UP TO 2.5" HOLE	204	275	317
20-513	SQUARE DIVERter PLATE, CONTEMPORARY, OPTIONAL USE UP TO 2.5" HOLE	204	275	317
20-514	SQUARE DIVERter PLATE, TRADITIONAL, OPTIONAL USE UP TO 2.5" HOLE	204	275	317

## PARTS PRICE LIST

ITEM NO.	DESCRIPTION	I	II	III
<b>SHOWER TRIM - BALANCE PRESSURE</b>				
1-109	ARROW BUTTON	9		
2-217	DIVERTER TRIM - BP TUB/SHOWER	104	146	173
2-224	COVERPLATE - ROUND (LESS DIVERTER TRIM) FOR 1090 SERIES	290	408	488
2-225	COVERPLATE - ROUND SHOWER ONLY FOR 1090 SERIES	290	408	488
2-438	COVERPLATE - ROUND (LESS DIVERTER TRIM) FOR 1600 SERIES	456	610	734
2-439	COVERPLATE - ROUND SHOWER ONLY FOR 1600 SERIES	456	610	734
2-454	COVERPLATE - ROUND (LESS DIVERTER TRIM) FOR FOR 1760 & 1770 SERIES	456	610	734
2-455	COVERPLATE - ROUND SHOWER ONLY FOR FOR 1760 & 1770 SERIES	456	610	734
2-641	COVERPLATE - RECTANGLE (LESS DIVERTER TRIM)	534	722	827
2-642	COVERPLATE - RECTANGLE SHOWER ONLY	532	715	822
2-659	TUB/SHOWER BP BACKPLATE FOR 2400 SERIES	282	383	439
2-661	SHOWER ONLY BP BACKPLATE FOR 2400 SERIES	488	660	760
2-771	COVERPLATE - ROUND SHOWER ONLY FOR 2480, 2490, 3120 SERIES	225	303	289
2-894	SHORT DIVERTER TRIM FOR BP TUB/SHOWER SETS	54	69	84
8-006	COVERPLATE - SQUARE (LESS DIVERTER TRIM) FOR 2520, 2530 SERIES	474	569	618
8-011	COVERPLATE - SQUARE SHOWER ONLY FOR 2520, 2530 SERIES	545	644	699
8-032	COVERPLATE - RECTANGLE (LESS DIVERTER TRIM) FOR 2570 SERIES	474	569	618
8-033	COVERPLATE - RECTANGLE SHOWER ONLY FOR 2570 SERIES	474	569	618
8-092	COVERPLATE - ROUND SHOWER ONLY FOR 2550 SERIES	347	469	447
8-096	COVERPLATE - ROUND (LESS DIVERTER TRIM) FOR 2550 SERIES	347	469	447
20-501	COVERPLATE - ROUND SHOWER ONLY FOR 2480 SERIES	233	316	301
20-502	COVERPLATE - ROUND (LESS DIVERTER TRIM) FOR 2480 SERIES	225	302	288
10817	ARROW BUTTON FOR FAIRFIELD COLLECTION	9		

### SHOWER TRIM- THERMOSTATIC 3/4"

1-331	MOUNTING PLATE FOR 12118, 12119, 12120, 12121, & 12122	146		
2-260	1-3/8" EXTENSION FOR 3/4" THERMOSTATIC VALVE	190	259	311
12118	COVERPLATE - SQUARE FOR 2570 SERIES	526	711	677
12119	COVERPLATE - ROUND FOR 2400 & 2460 SERIES	191	259	247
12120	COVERPLATE - ROUND FOR 2490 SERIES	129	174	166
12121	COVERPLATE - SQUARE FOR 2540 SERIES	377	418	398
12122	COVERPLATE - SQUARE FOR 2520 SERIES	465	628	598
2-337	COVERPLATE - ROUND THERMO TRADITIONAL	290	408	488
2-338	COVERPLATE - SQUARE THERMO FOR 1620 SERIES	467	654	788
2-440	COVERPLATE - ROUND THERMO FOR 1620 SERIES	343	465	553
2-500	COVERPLATE - ROUND THERMO FOR 1760 & 1770	290	408	488
2-558	NOMENCLATURE RING FOR 1760 & 1770	290	408	488
92075	FINISHED SCREWS FOR THERMO COVERPLATE	26	35	33

## PARTS PRICE LIST

ITEM NO.	DESCRIPTION	I	II	III
<b>SHOWER TRIM - THERMOSTATIC 1/2"</b>				
2-110	HANDLE FOR 990 SERIES	190	269	327
2-261	HANDLE FOR 850, 980 SERIES	173	243	231
2-262	HANDLE FOR 3100, 3120 SERIES	158	218	208
2-268	HANDLE FOR 890, 910, 930, 1200 SERIES	141	183	195
2-271	HANDLE FOR 2040, 2480, 2490, 2560 SERIES	78	105	100
2-273	HANDLE FOR 890, 910, 930, 1200 SERIES	101	139	132
2-353	HANDLE FOR 1200 SERIES	116	158	150
2-354	HANDLE FOR 990, 1400 SERIES	126	176	168
2-442	HANDLE FOR 910, 1600, 2590 SERIES	135	183	174
2-443	HANDLE FOR 1640 SERIES	159	215	255
2-559	HANDLE FOR 1760 SERIES	244	330	314
2-990	COVERPLATE- -THERMO SQUARE TRADITIONAL	301	407	388
2-992	HANDLE FOR 2400, 2440, 2460 SERIES	135	183	174
2-993	HANDLE FOR 2400, 2440, 2460 SERIES	257	348	331
2-994	COVERPLATE - THERMO ROUND TRADITIONAL	83	112	107
2-999	COVERPLATE - THERMO SQUARE MODERN	338	460	438
20-100	HANDLE FOR 1600 SERIES	83	112	107
20-116	COVERPLATE- -THERMO ROUND MODERN	500	676	644
20-133	HANDLE FOR 2570 SERIES	103	139	132
20-142	HANDLE FOR 2900 SERIES	384	519	494
20-143	HANDLE FOR 2920, 2950 SERIES	257	348	331
20-146	1-3/8" EXTENSION FOR 1/2" THERMOSTATIC VALVE	273	368	423
20-177	HANDLE FORS 2040, 2560 SERIES	116	158	150
20-187	HANDLE FOR 2970 SERIES	78	105	100
20-188	HANDLE FOR 2970 SERIES	97	130	124
20-196	HANDLE FOR 3140 SERIES	78	105	100
20-197	HANDLE FOR 3140 SERIES	103	139	132
92113	SCREW FOR THERMOSTATIC HANDLES	3		
92206	SCREW FOR BOTTOM HANDLE IN 1760 SERIES	3		
<b>ROMAN TUB SETS</b>				
1-003	R/T COLD CARTRIDGE	120		
1-004	R/T HOT CARTRIDGE	120		
1-016	QUICK CONNECT ASSEMBLY FOR 1-502, 1-503, 1-506, 1-507, 1-522, 1-523, 1-547, 1-548, 1-665, 1-666, 1-565, 1-566, 1-571, 1-653	127		
1-093	COLD CARTRIDGE (LONG STEM) FOR 1046, 1047, 1686 & 1687	144		
1-094	HOT CARTRIDGE (LONG STEM) FOR 1046, 1047, 1686 & 1687	144		
1-163	QUICK CONNECT ASSEMBLY FOR 1-586, 1-587	61		
1-191	ROMAN TUB DIVERTER CARTRIDGE FOR 1-622, 1-630 DIVERTER VALVES	230		
1-230	QUICK CONNECT ASSEMBLY FOR 1-697, 1-698, 1-677, 1-678	74		
1-254	QUICK CONNECT ASSEMBLY FOR 1-636	33		
1-376	ROMAN TUB DIVERTER CARTRIDGE FOR 1-714	69		
1-602	HOT VALVE	229		
1-603	COLD VALVE	229		
1-612	HOT VALVE (LONG STEM) FOR 1040, 1680, & 1690 SERIES	282		
1-613	COLD VALVE (LONG STEM) FOR 1040, 1680 & 1690 SERIES	282		
1-714	ROMAN TUB DIVERTER VALVE - 3-PORT DECK DIVERTER, 16 POINT STEM	345		
1-035	QUICK CONNECT EXTENSION	54		
10382	QUICK CONNECT SPACER	17		



## PARTS PRICE LIST

ITEM NO.	DESCRIPTION	I	II	III
<b>LAVATORY SETS</b>				
1-001	W/S COLD CARTRIDGE	67		
1-002	W/S HOT CARTRIDGE	67		
1-091	LONG STEM COLD CART FOR WIDESPREAD	107		
1-092	LONG STEM HOT CART FOR WIDESPREAD	107		
1-107	PORCELAIN BUTTON WITH "COLD"	9		
1-108	PORCELAIN BUTTON WITH "HOT"	9		
1-110	PORCELAIN BUTTON (BLANK)	9		
1-130	PORCELAIN BUTTON WITH "CHAUD" - (HOT)	9		
1-131	PORCELAIN BUTTON WITH "FROID" - (COLD)	9		
1-600	HOT VALVE	122		
1-601	COLD VALVE	122		
1-610	HOT VALVE (LONG STEM) FOR 1040, 1680, & 1690 SERIES	169		
1-611	COLD VALVE (LONG STEM) FOR 1040, 1680 & 1690 SERIES	169		
1-654	FLOW REGULATOR ASM FOR 2040, 2060, 2400, 2410, 2420, 2430, 2440, 2540, 2560, 2990	72		
2-532	"METAL BUTTON FOR VICTORIA SERIES. CAN BE USED WITH 890, 920, 930, 1030, 1680 & 1690"	34	43	48
325	POP UP DRAIN	158	215	245
10288	POP-UP ROD	48	56	67
10815	PORCELAIN "FROID" BUTTON FOR FAIRFIELD COLLECTION	9		
10816	PORCELAIN "CHAUD" BUTTON FOR FAIRFIELD COLLECTION	9		
10937	PORCELAIN "BLANK" BUTTON FOR FAIRFIELD COLLECTION	9		
<b>WALL MOUNTED LAVATORY SETS</b>				
1-452	COLD CARTRIDGE FOR 1-500U, 1-532U	126		
1-453	HOT CARTRIDGE FOR 1-500U, 1-532U, 1-606U CARTRIDGE	126		
1-455	RETAINING NUT 1-500U, 1-532U, 1-606U, 1-607U	79		
2-631	AERATOR 1.2 GPM FOR 1690 SERIES	38	51	57
2-633	AERATOR 1.2 GPM FOR 930, 1000 SERIES	59	79	88
2-658	AERATOR 1.2 GPM FOR 2460 SERIES WALL LAV	70	95	90
2-693	AERATOR 1.2 GPM - W/S & WALL LAV FOR 990, 2950, 2960 SERIES	70	95	90
2-765	AERATOR 1.2 GPM FOR 1760 SERIES	78	105	100
8-176	AERATOR 1.2 GPM - W/S & WALL MOUNTED LAV FOR 2560, 2990	34	48	56
10489	4" ALL-THREAD NIPPLE/COUPLING	26		
10631	ALL THREAD NIPPLE	14		
12402	FLOW REGULATOR 1.2 GPM FOR 2-633	9		
12403	FLOW REGULATOR 1.2 GPM FOR 2-631, 2-658, 2-693, 2-765, 8-176	7		
12404	FLOW REGULATOR 1.2 GPM FOR 2-627	4		
12405	AERATOR 1.2 GPM FOR WIDESPREAD & WALL MOUNTED LAV	13		
12406	AERATOR 1.2 GPM FOR 2550 WALL MOUNTED LAV	13		
<b>ALEXANDRIA (1090)</b>				
10973	POP UP KNOB	59	79	88
11843	BASE RING FOR WIDESPREAD	53	70	67
10175	BASE RING FOR RT	147	208	250
12172	HANDLE ESCUTCHEON	75	93	104
3-248	LEVER HANDLE FOR 1090 SERIES	354	494	593
3-260	ROMAN TUB SPOUT	924	1250	1500
3-342	WIDESPREAD SPOUT FOR 1090	704	951	906
5-011	MOUNTING HARDWARE FOR DECK FLANGE	37		
91082	O-RING FOR 12172, 12240 HANDLE ESCUTCHEON	3		
<b>ALVESTON (890)</b>				
10021	POP UP KNOB FOR 1020, 7200, 850C, 890	37	51	57
10095	BONNET FOR 1740, 890	81	110	132
10313	BASE RING FOR RT	102	140	133
3-178	ROMAN TUB SPOUT FOR SERIES 850, 890, 1740	534	750	902
3-348	WIDESPREAD SPOUT FOR 850C, 890, 1740	455	565	625

# PARTS PRICE LIST

ITEM NO.	DESCRIPTION	I	II	III
<b>AMISA (980, 1020)</b>				
10010	POP-UP KNOB FOR 7000, 850, 980	34	48	56
10021	POP UP KNOB FOR 1020, 7200, 850C, 890	37	51	57
10437	ESCUTCHEON	122	170	207
10438	BASE RING FOR ESCUTCHEON, LAV. & WALL TUB SPOUT	91	129	153
10575	RT SPOUT BASE RING	148	208	252
10854	BASE RING FOR LAV. & ROMAN TUB SPOUT FOR 1020 SERIES	148	208	237
3-236	ROMAN TUB SPOUT FOR 1020	725	1016	1217
3-345	WIDESPREAD SPOUT FOR 980	520	650	775
3-347	WIDESPREAD SPOUT FOR 1020	455	625	750
91365	RT BASE O-RING	3		
<b>ANISE (880)</b>				
10104	POP-UP KNOB	62	89	108
10175	BASE RING FOR RT	147	208	250
10973	POP UP KNOB	59	79	88
12172	ESCUTCHEON	75	93	104
2-285	LEVER HANDLE FOR 1090	190	269	327
2-297	POP-UP KNOB FOR 1070 OR 1080	96	125	144
3-249	WIDESPREAD SPOUT FOR 1090 & 880C	641	897	1046
3-260	ROMAN TUB SPOUT	924	1250	1500
3-356	WIDESPREAD SPOUT FOR 880	641	897	1073
91082	O-RING FOR 12172, 12240 HANDLE ESCUTCHEON	3		
<b>ASTOR (910, 920)</b>				
10961	POP-UP KNOB	34	48	56
1-588	CARTRIDGE/SLEEVE ASSEMBLY FOR 9203, 9208	96		
2-162	ROMAN TUB SPOUT FOR SERIES 1200, 910, 920	686	956	1148
2-623	HANDLE ASSEMBLY FOR 9203, 9208	104	131	147
3-346	WIDESPREAD SPOUT FOR 1200, 1220, 1230, 910, 920	369	516	615
<b>AYLESBURY (2400, 2410, 2420, 2430)</b>				
11583	POP UP KNOB	33	46	44
11588	HANDLE CAP	30	33	38
1-242	CARTRIDGE FOR 2403, 2433, 2493	37		
1-654	FLOW REGULATOR ASM FOR 2040, 2060, 2400, 2410, 2420, 2430, 2440, 2540, 2560, 2990	72		
2-670	RT SPOUT BASE RING	60	81	77
2-767	WIDESPREAD SPOUT ASSEMBLY FOR 2400, 2410	402	475	575
2-768	WIDESPREAD SPOUT ASSEMBLY FOR 2420, 2430	386	563	645
2-832	LEVER FOR 2433	205	277	264
3-380	WALL MOUNTED LAV SPOUT	200	268	312
3-384	ROMAN TUB SPOUT	469	637	731
91255	O-RING FOR HANDLE CAP	3		
91386	RT SPOUT BASE RING	3		
92141	SCREW FOR HANDLE	3		

## PARTS PRICE LIST

ITEM NO.	DESCRIPTION	I	II	III
<b>BEVELLE (1740)</b>				
10095	BONNET FOR 1740, 890	81	110	132
10313	BASE RING FOR RT	102	140	133
11181	POP-UP KNOB	34	48	56
3-289	LEVER HANDLE FOR 1740	394	530	638
3-178	ROMAN TUB SPOUT FOR SERIES 850, 890, 1740	534	750	902
3-348	WIDESPREAD SPOUT FOR 850C, 890, 1740	455	565	625
91365	RT BASE O-RING	3		
<b>CHESTERFIELD (930, 1030)</b>				
10829	POP UP KNOB FOR 930, 930L, 1030	107	148	141
10413	RT SPOUT BASE RING	97	130	124
10419	BENT POP UP KNOB FOR 932	70	95	90
10539	POP UP KNOB FOR 932	44	58	67
10961	POP-UP KNOB	34	48	56
1-005	COLD CART FOR LAV BRIDGE FAUCETS	68		
1-006	HOT CART FOR LAV BRIDGE FAUCETS	68		
1-001	W/S COLD CARTRIDGE	67		
1-002	W/S HOT CARTRIDGE	67		
2-210	ROMAN TUB SPOUT	499	641	770
2-213	WALL MOUNTED LAV SPOUT LONG VERSION	558	751	715
2-218	WALL MOUNTED LAV SPOUT	461	642	611
2-400	POP UP GUIDE FOR LAV BRIDGE FAUCETS	40	56	53
3-360	WIDESPREAD SPOUT FOR 930, 930L, 1000, 1030	369	515	616
<b>CLEMENS (3250, 3260)</b>				
12403	AERATOR INSERT 1.2 GPM	7		
1-676	WIDESPREAD VALVE MOUNTING KIT	209		
13137	RT SPOUT BASE RING	51	70	67
3-636	ROMAN TUB SPOUT	466	630	600
3-639	WALL MOUNTED LAV SPOUT FOR CLEMENS	374	505	481
3-633	WIDESPREAD SPOUT FOR 3250 & 3260	415	561	534
91500	AERATOR GASKET	2		
<b>DORRANCE (2970, 2980)</b>				
10842	RT SPOUT BASE RING	53	70	67
12499	POP UP KNOB	33	46	44
1-001	W/S COLD CARTRIDGE	67		
1-002	W/S HOT CARTRIDGE	67		
1-226	WIDESPREAD VALVE MOUNTING KIT (QTY 2 NEEDED)	124		
3-225	ROMAN TUB SPOUT FOR 990 & 1500 SERIES	466	652	781
3-574	WIDESPREAD SPOUT FOR 2970 & 2980	373	502	478
3-578	WALL MOUNTED LAV SPOUT	353	476	453
91571	AERATOR KEY FOR W/S	3		
91231	RT SPOUT BASE O-RING	3		

## PARTS PRICE LIST

ITEM NO.	DESCRIPTION	I	II	III
<b>EAST LINEAR (990,1500)</b>				
10620	BONNET	81	112	133
10827	POP-UP KNOB	39	48	56
10842	RT SPOUT BASE RING	53	70	67
1-100	CART FOR 1503 & 1508	175		
2-334	HANDLE FOR 1503 & 1508	214	301	287
2-693	AERATOR 1.2 GPM - W/S & WALL LAV FOR 990, 2950, 2960 SERIES	70	95	90
3-225	ROMAN TUB SPOUT FOR 990 & 1500 SERIES	466	652	781
3-744	WALL MOUNTED LAV SPOUT FOR SERIES 1500, 2950, 990	466	652	621
3-233	WIDESPREAD SPOUT FOR SERIES 1500, 2920, 990	532	742	895
91231	RT SPOUT BASE O-RING	3		
<b>EAST SQUARE (1400)</b>				
10827	POP UP KNOB	39	48	56
10842	RT SPOUT BASE RING	53	70	67
3-274	WIDESPREAD SPOUT FOR 1400, 2950	585	742	895
3-275	ROMAN TUB SPOUT	473	672	760
91231	RT SPOUT BASE O-RING	3		
<b>FAIRFIELD (1000, 2100)</b>				
10289	POP UP KNOB FOR 1000, 1690	34	48	56
10413	RT SPOUT BASE RING	97	130	124
10961	POP-UP KNOB	34	48	56
1-005	COLD CART FOR LAV BRIDGE FAUCETS	68		
1-006	HOT CART FOR LAV BRIDGE FAUCETS	68		
2-210	ROMAN TUB SPOUT	499	641	770
2-213	WALL MOUNTED LAV SPOUT LONG VERSION	558	751	715
2-218	WALL MOUNTED LAV SPOUT	461	642	611
2-400	POP UP GUIDE FOR LAV BRIDGE FAUCETS	40	56	53
2-633	AERATOR 1.2 GPM FOR 930, 1000, 1690 WALL LAV	59	79	88
3-360	WIDESPREAD SPOUT FOR 930, 930L, 1000, 1030	369	515	616
<b>GRIFFEY (13270, 3280)</b>				
12403	AERATOR INSERT 1.2 GPM	7		
1-676	WIDESPREAD VALVE MOUNTING KIT	209		
13141	RT SPOUT BASE RING	51	70	67
3-637	ROMAN TUB SPOUT	466	630	600
3-640	WALL MOUNTED LAV SPOUT FOR GRIFFEY	374	505	481
3-634	WIDESPREAD SPOUT FOR 3270 & 3280	415	561	534
91500	AERATOR GASKET	2		
<b>ITHACA (2550)</b>				
11403	AERATOR KEY	4		
11579	POP UP KNOB FOR 9203	33	46	44
12406	AERATOR 1.2 GPM FOR 2550 WALL MOUNTED LAV	13		
1-226	WIDESPREAD VALVE MOUNTING KIT (QTY 2 NEEDED)	124		
1-588	CARTRIDGE/SLEEVE ASSEMBLY FOR 9203, 9208	96		
2-623	HANDLE ASSEMBLY FOR 9203, 9208	104	131	147
3-432	ROMAN BATH SPOUT FOR 3-2557	854	1154	1324
3-433	ROMAN BATH SPOUT FOR 3-2556	891	1202	1202
8-061	WIDESPREAD SPOUT ASSEMBLY	775	898	950
8-072	WALL LAVATORY/SHOWER ARM ESCUTCHEON	95	125	142
8-074	WALL MOUNTED LAV SPOUT	479	576	623
8-080	RT SPOUT BASE RING	141	191	182
80158	POP-UP KNOB	46	61	69

## PARTS PRICE LIST

ITEM NO.	DESCRIPTION	I	II	III
<b>JACOBAN (2460, 2470)</b>				
11583	POP UP KNOB	33	46	44
11588	HANDLE CAP	30	33	38
1-234	THERMOSTATIC WALL PLATE	197		
2-636	HANDLE ASSEMBLY - LEVER	127	169	197
2-637	HANDLE ASSEMBLY - CROSS	229	310	356
2-658	AERATOR 1.2 GPM FOR 2460 SERIES WALL LAV	70	95	90
2-659	TUB/SHOWER BP BACKPLATE FOR 2400 SERIES	282	383	439
2-661	SHOWER ONLY BP BACKPLATE FOR 2400 SERIES	488	660	760
2-670	RT SPOUT BASE RING	60	81	77
3-381	WALL LAVATORY SPOUT	209	289	314
3-435	WIDESPREAD SPOUT	329	468	501
3-386	ROMAN TUB SPOUT	478	648	617
8-039	BIDET DIVERTER/VACUUM BREAKER ASM	407	548	630
92141	SCREW FOR HANDLE	3		
91158	O-RING FOR HANDLE CAP	3		
91386	RT SPOUT BASE RING	3		
<b>JOFFREY (2570)</b>				
12363	POP UP KNOB	57	79	75
12407	AERATOR 1.2 GPM FOR W/S	13		
1-226	WIDESPREAD VALVE MOUNTING KIT (QTY 2 NEEDED)	124		
20-112	W/S SPOUT	607	822	783
20-129	ROMAN TUB SPOUT	735	992	945
91362	ROMAN TUB SPOUT O RING	3		
91571	AERATOR KEY FOR W/S	3		
<b>KEATON (2490, 2493)</b>				
11738	POP UP KNOB	83	112	107
1-226	WIDESPREAD VALVE MOUNTING KIT (QTY 2 NEEDED)	124		
1-242	CARTRIDGE FOR 2403, 2433, 2493	37		
1-243	ADAPTER ASM R/T	42		
2-715	RT SPOUT BASE RING	67	92	88
2-925	HANDLE FOR 2493	148	201	191
3-402	W/S SPOUT FOR 2490, 3120 SERIES	480	648	617
3-403	ROMAN TUB SPOUT FOR 2490 & 3120 SERIES	547	739	704
3-406	WALL MOUNTED LAV SPOUT 2490 & 3120 SERIES	240	326	310
<b>KIRSI (3120)</b>				
11738	POP UP KNOB	83	112	107
1-226	WIDESPREAD VALVE MOUNTING KIT (QTY 2 NEEDED)	124		
1-243	ADAPTER ASM R/T	42		
2-715	RT SPOUT BASE RING	67	92	88
3-402	W/S SPOUT FOR 2490, 3120 SERIES	480	648	617
3-403	ROMAN TUB SPOUT FOR 2490 & 3120 SERIES	547	739	704
3-406	WALL MOUNTED LAV SPOUT 2490 & 3120 SERIES	240	326	310
3-611	W/S SPOUT FOR 3130	564	761	725
91571	AERATOR KEY FOR W/S	3		
<b>MALVINA (3140)</b>				
12551	POP UP KNOB	39	54	51
12555	R/T BASE RING	116	158	150
1-226	WIDESPREAD VALVE MOUNTING KIT (QTY 2 NEEDED)	124		
3-579	W/S SPOUT FOR 3140, 3150	431	579	551
3-582	ROMAN TUB SPOUT	845	1141	1087
91571	AERATOR KEY FOR W/S	3		
91661	R/T BASE O-RING	3		

# PARTS PRICE LIST

ITEM NO. DESCRIPTION	I	II	III
<b>METRO (2540)</b>			
10961 POP UP KNOB	34	48	56
12266 RT SPOUT BASE RING	116	158	150
1-001 W/S COLD CARTRIDGE	67		
1-002 W/S HOT CARTRIDGE	67		
1-226 WIDESPREAD VALVE MOUNTING KIT (QTY 2 NEEDED)	124		
1-654 FLOW REGULATOR ASM FOR 2040, 2060, 2400,2410, 2420, 2430, 2440, 2540, 2560, 2990	72		
2-941 ROMAN TUB SPOUT	721	977	930
3-436 WIDESPREAD SPOUT ASSEMBLY	604	817	936
8-036 BASE PLATE FOR ROMAN BATH SPOUT	195	233	253
8-037 ROMAN BATH SPOUT ASSEMBLY	1046	1256	1359
80030 POP-UP KNOB - W/S	166	200	215
80080 POP-UP KNOB - BIDET	164	200	215
<b>METROPOLE (1200)</b>			
10961 POP UP KNOB	34	48	56
1-259 CART FOR 1203, 1203-1, 1233, 1233-1	43		
2-162 ROMAN TUB SPOUT FOR SERIES 1200, 910, 920	686	956	1148
2-627 WIDESPREAD AERATOR	44	59	56
3-346 WIDESPREAD SPOUT FOR 1200, 1220, 1230, 910, 920	369	516	615
3-539 W/S SPOUT FOR 1200C, 1220C, 1230C	597	805	767
91571 AERATOR KEY FOR W/S	3		
<b>MIRO (1600, 1620)</b>			
11415 BASE RING FOR WIDESPREAD SPOUT	66	90	86
11092 POP-UP KNOB	38	51	57
11094 RT SPOUT BASE RING	97	131	159
2-627 WIDESPREAD AERATOR	44	59	56
2-437 ROMAN TUB SPOUT	881	1191	1428
2-628 WIDESPREAD AERATOR	48	63	71
3-340 WIDESPREAD SPOUT	642	863	1035
<b>MUNCY (3290)</b>			
12403 AERATOR INSERT 1.2 GPM	7		
10827 POP-UP KNOB	39	48	56
1-676 WIDESPREAD VALVE MOUNTING KIT	209		
10842 RT SPOUT BASE RING	53	70	67
92006 SET SCREW FOR 10842	1		
92422 HEX KEY FOR 92006 SCREW	1		
3-696 ROMAN TUB SPOUT	466	630	600
3-694 WALL MOUNTED LAV SPOUT FOR MUNCY	374	505	481
3-691 WIDESPREAD SPOUT FOR 3290	363	491	468
91500 AERATOR GASKET	2		
<b>PARDEES 3230, 3240)</b>			
12403 AERATOR INSERT 1.2 GPM	7		
1-676 WIDESPREAD VALVE MOUNTING KIT	209		
13133 RT SPOUT BASE RING	51	70	67
3-635 ROMAN TUB SPOUT	466	630	600
3-638 WALL MOUNTED LAV SPOUT FOR PARDEES	374	505	481
3-632 WIDESPREAD SPOUT FOR 3230 & 3240	415	561	534
91500 AERATOR GASKET	2		

## PARTS PRICE LIST

ITEM NO.	DESCRIPTION	I	II	III
<b>PAVANI (3100, 3110)</b>				
11738	POP UP KNOB	83	112	107
12407	AERATOR 1.2 GPM FOR W/S	13		
1-226	WIDESPREAD VALVE MOUNTING KIT (QTY 2 NEEDED)	124		
1-243	ADAPTER ASM R/T	42		
2-942	RT SPOUT BASE RING	63	87	83
3-401	ROMAN TUB SPOUT	328	442	421
3-418	WALL MOUNTED LAV SPOUT 2480 & 3100 SERIES	338	460	438
3-420	WIDESPREAD SPOUT 2480 & 3100	524	708	674
3-612	WIDESPREAD SPOUT FOR 3110	320	434	413
91571	AERATOR KEY FOR W/S	3		
<b>PRIYA (2403, 2480)</b>				
11738	POP UP KNOB	83	112	107
11768	HANDLE FOR 2403	78	105	100
1-242	CARTRIDGE FOR 2403, 2433, 2493	37		
2-942	RT SPOUT BASE RING	63	87	83
3-401	ROMAN TUB SPOUT	328	442	421
3-418	WALL MOUNTED LAV SPOUT 2480 & 3100 SERIES	338	460	438
3-420	WIDESPREAD SPOUT 2480 & 3100	524	708	674
92090	O RING FOR 2403 HANDLE	4		
91571	AERATOR KEY FOR W/S	3		
<b>SEAPORT (850)</b>				
10010	POP-UP KNOB FOR 7000, 850, 980	34	48	56
10016	ESCUTCHEON FOR 850	112	159	188
10021	POP UP KNOB FOR 1020, 7200, 850C, 890	37	51	57
10313	BASE RING FOR RT	102	140	133
3-178	ROMAN TUB SPOUT FOR SERIES 850, 890, 1740	534	750	902
3-344	WIDESPREAD SPOUT FOR 850	397	556	666
3-348	WIDESPREAD SPOUT FOR 850C, 890, 1740	455	565	625
91231	RT SPOUT BASE O-RING	3		
91365	RT BASE O-RING	3		
<b>SECANT (2040)</b>				
12162	LEVER FOR 2043	39	54	51
1-226	WIDESPREAD VALVE MOUNTING KIT (QTY 2 NEEDED)	124		
1-298	CART FOR 2043	37		
1-654	FLOW REGULATOR ASM FOR 2040, 2060, 2400,2410, 2420, 2430, 2440, 2540, 2560, 2990	72		
30358	POP UP KNOB	39	54	51
3-327	WALL MOUNTED LAV SPOUT	423	570	652
3-370	ROMAN TUB SPOUT	580	752	866
3-434	WIDESPREAD SPOUT	600	810	930
<b>SKYLAR (2560, 2990)</b>				
10288	POP-UP ROD	48	56	67
1-226	WIDESPREAD VALVE MOUNTING KIT (QTY 2 NEEDED)	124		
1-654	FLOW REGULATOR ASM FOR 2040, 2060, 2400,2410, 2420, 2430, 2440, 2540, 2560, 2990	72		
2-941	ROMAN TUB SPOUT	721	977	930
3-436	WIDESPREAD SPOUT ASSEMBLY	604	817	936
8-028	WALL MOUNTED LAV SPOUT	680	818	883
8-037	ROMAN BATH SPOUT ASSEMBLY	1046	1256	1359
8-176	AERATOR 1.2 GPM - W/S & WALL MOUNTED LAV FOR 2560, 2990	34	48	56
80030	POP-UP KNOB - W/S	166	200	215

## PARTS PRICE LIST

ITEM NO.	DESCRIPTION	I	II	III
<b>SLATER (2920)</b>				
10827	POP UP KNOB	39	48	56
2-101	BASE RING FOR WIDESPREAD OR KITCHEN SPOUT	97	133	162
2-693	AERATOR 1.2 GPM - W/S & WALL LAV FOR 990, 2950, 2960 SERIES	70	95	90
2-941	ROMAN TUB SPOUT	721	977	930
3-233	WIDESPREAD SPOUT FOR SERIES 1500, 2920, 990	532	742	895
3-274	WIDESPREAD SPOUT FOR 1400, 2950	585	742	895
3-613	WIDESPREAD SPOUT FOR 2960	257	348	331
<b>SUTTON (2440, 2450)</b>				
11583	POP UP KNOB	33	46	44
11588	HANDLE CAP	30	33	38
11610	HANDLE BONNET	44	58	67
2-656	HANDLE ESCUTCHEON ASM	61	86	97
2-769	WIDESPREAD SPOUT FOR 2440/2450	454	662	758
3-385	ROMAN TUB SPOUT	555	750	714
3-387	SPOUT FOR 2440 SERIES	237	321	369
8-039	BIDET DIVERTER/VACUUM BREAKER ASM	407	548	630
91255	O-RING FOR HANDLE CAP	3		
92141	SCREW FOR HANDLE ASSEMBLY	3		
<b>VANDER (2900, 2910)</b>				
12372	POP UP KNOB	57	79	75
12407	AERATOR 1.2 GPM FOR W/S	13		
1-226	WIDESPREAD VALVE MOUNTING KIT (QTY 2 NEEDED)	124		
20-114	WIDESPREAD SPOUT	512	691	658
20-128	ROMAN TUB SPOUT	597	805	767
91298	WIDESPREAD SPOUT O-RING	3		
91365	RT BASE O-RING	3		
91571	AERATOR KEY FOR W/S	3		
<b>VICTORIA (1760, 1770)</b>				
30225	POP-UP KNOB	34	48	56
2-496	RT SPOUT BASE RING	123	159	183
2-535	WIDESPREAD SPOUT BASE RING	82	110	131
2-765	AERATOR 1.2 GPM FOR 1760 SERIES	78	105	100
3-295	WIDESPREAD SPOUT	462	624	714
3-296	ROMAN TUB SPOUT	863	1168	1112
3-297	WALL MOUNTED LAV SPOUT	410	554	636

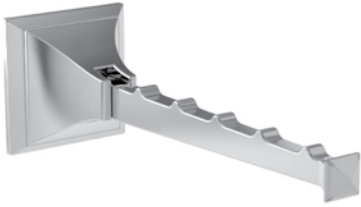




# GINGER<sup>®</sup>

*Luxury For Your Lifestyle™*

2023 PRICEBOOK



CAYDEN [P394](#)



CHELSEA [P396](#)



CINU [P400](#)

---



COLUMNAR [P402](#)



DYAD [P405](#)



EAVON [P408](#)

---



EMPIRE [P410](#)



FRAME [P413](#)



GARNSEY [P415](#)

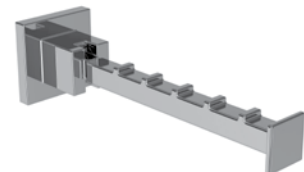
---



HOTELIER [P418](#)



KUBIC [P421](#)



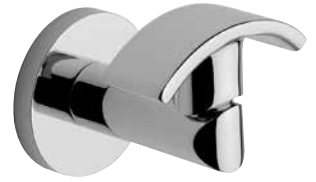
LINEAL [P426](#)



LONDON  
TERRACE [P429](#)



PAVIN [P432](#)



SINE [P435](#)



SURFACE [P438](#)



BASKETS [P443](#)



GRAB BARS [P447](#)



HOTEL SHELVES [P450](#)



LIGHTS [P453](#)



MIRRORS [P457](#)



SHOWER ROD [P461](#)



REPLACEMENT PARTS  
[P464](#)

# CAYDEN

towel bars		item	description	PC	PN SN
		4902	18" Towel Bar	247	296
		4903	24" Towel Bar	279	335

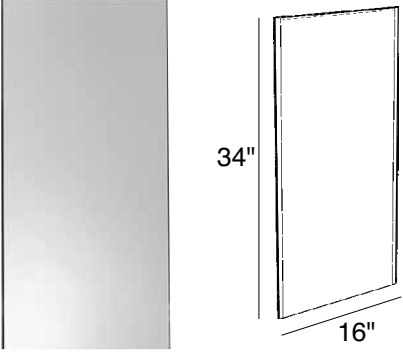
towel rings				PC	PN SN
		4905	Towel Ring	231	279

toilet tissue holders				PC	PN SN
		4908	Double Post Toilet Tissue Holder	262	316
		4906	Open Toilet Tissue Holder	217	260


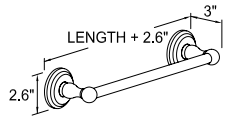



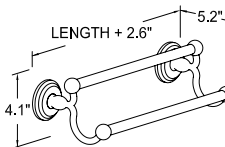
hooks				PC	PN SN
		4910	Single Robe Hook	124	139
		4917	Valet Hook	263	290


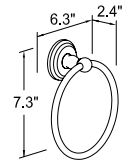


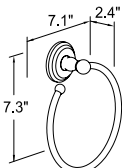

toiletary shelves				PC	PN SN
		4934T-24	24" Shelf	296	356


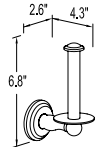

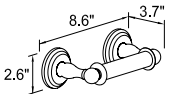


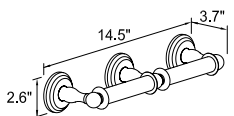

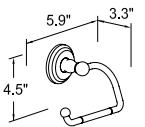


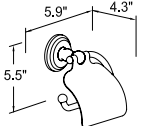



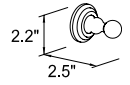


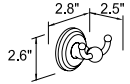

mirror	item	description	NO FINISH
	4641N	Frameless Mirror 16" x 34" Overall	412
notes	<p>1) Toiletry Shelves: Glass is tempered.</p>		

# CHELSEA

towel bars		item	description	PC	PN SN
		1101	12" Towel Bar	197	233
		1102	18" Towel Bar 	208	253
		1103	24" Towel Bar 	227	269
		G1104	32" Towel Bar	260	312
		1122-18	18" Double Towel Bar	419	501
		1122-24	24" Double Towel Bar	451	541
		1122-32	32" Double Towel Bar	454	NA

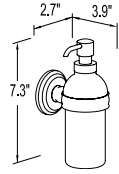
towel rings				PC	PN SN
		1105	Towel Ring 	154	185
		1121	Towel Ring - Open 	192	230

toilet tissue holders				PC	PN SN
		1107	Spare Toilet Tissue Holder	183	221
		1108N	Double Post Toilet Tissue Holder 	204	248
		1108D	Double Toilet Tissue Holder	348	420
		1109	Hanging Toilet Tissue Holder 	192	230
		1127	Hooded Toilet Tissue Holder	219	262

hooks				PC	PN SN
		1110	Single Robe Hook 	68	76
		1111	Double Robe Hook 	138	151



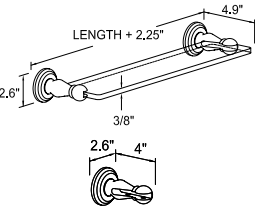
## soap dishes



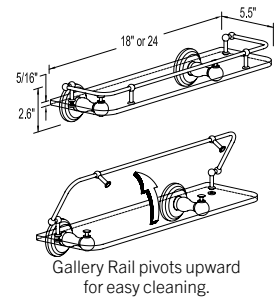
item	description	PC	PN SN
------	-------------	----	----------

1114	Soap/Lotion Dispenser	253	307
------	-----------------------	-----	-----

## toiletory shelves

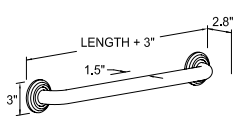


1118T-18	18" Shelf	322	385
1118B	Replacement Shelf Bracket, Pair	267	312



1135T-18	18" Gallery Shelf	441	528
1135T-24	24" Gallery Shelf	498	NA

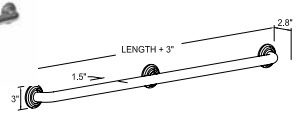
## grab bars



item	description	PC	PN SN
------	-------------	----	----------

**HOW TO ORDER:** STEP 1: Select Decorative Rings and Mounting Kit  
STEP 2: Select Grab Bar Tube

920-2400	Decorative Rings and Mounting Kit	160	218
5080	12" Grab Bar Tube	140	206
5081	16" Grab Bar Tube	166	233
5082	18" Grab Bar Tube	187	260
5083	24" Grab Bar Tube	224	301
5085	36" Grab Bar Tube	330	410



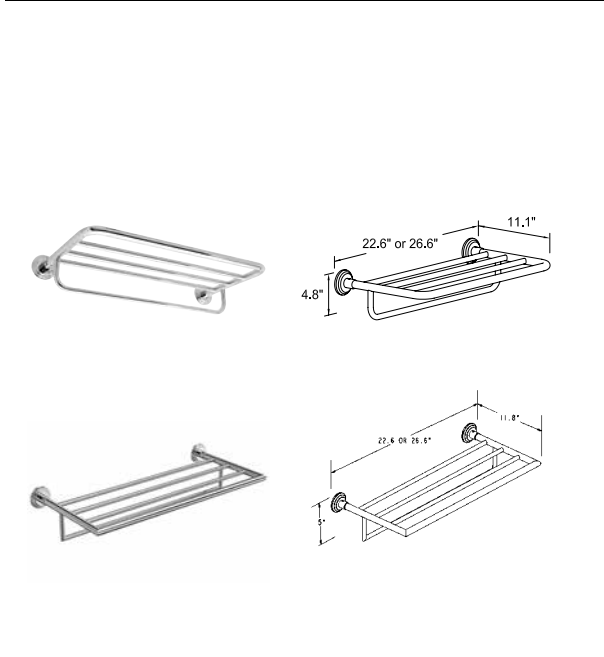
920-3942	42" Grab Bar**	599	781
----------	----------------	-----	-----

\*\* Sold as a complete unit

Grab bars are ADA Compliant

# CHELSEA

## hotel shelves



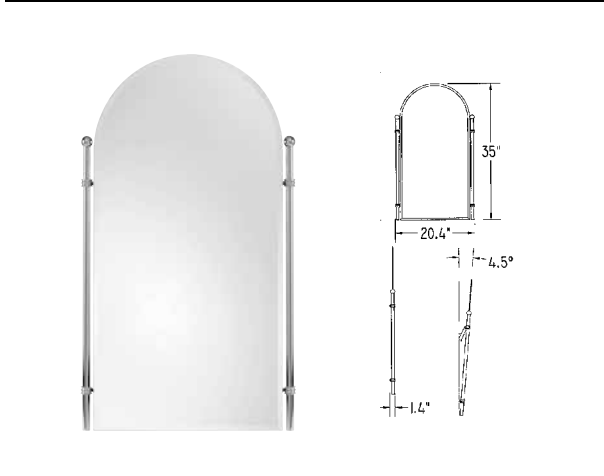
item	description	PC	PN SN
IMPORTANT: Order (1) Mounting Kit plus (1) Frame to make a complete unit.			
114B	Hotel Shelf Mounting Kit	137	164
XX43-20	20" Hotel Shelf Frame with Towel Bar	306	366
XX43-24	24" Hotel Shelf Frame with Towel Bar	326	387
XX43S-20	20" Hotel Shelf Frame with Towel Bar Squared Corners	384	463
XX43S-24	24" Hotel Shelf Frame with Towel Bar Squared Corners	415	497


## lights



item	description	PC	PN SN
Chelsea double light may also be installed inverted. The Chelsea Single Light can be wired for independently functioning main light and nightlight. This fixture may be installed with the main shade facing upward or downward.			
1181	Single Light with Nightlight Option, Satin Etched Glass	429	513
1182	Double Light Satin Etched Glass	655	765
Please refer to Light Notes (p.456) for important information on light installation. See page 453 for replacement shades.			

## mirror



item	description	PC	PN SN
Tilting mechanism may be used w/framed or frameless mirror.			
1141	Framed Mirror 20.39" x 35" Overall 18" x 35 Glass Only	748	859
MTM-009	Tilting Mechanism Optional**	88	88
 **Mirror tilts 4.5° with mechanism.			





shower rod

PC PN  
SN



IMPORTANT: Order (1) Bracket Pair plus (1) Rod to make a complete unit. 6' Rod should be trimmed for use in smaller openings.

1139R-6	6' Shower Curtain Rod	186	225
1139B	Shower Rod Brackets Only, Pair	146	175

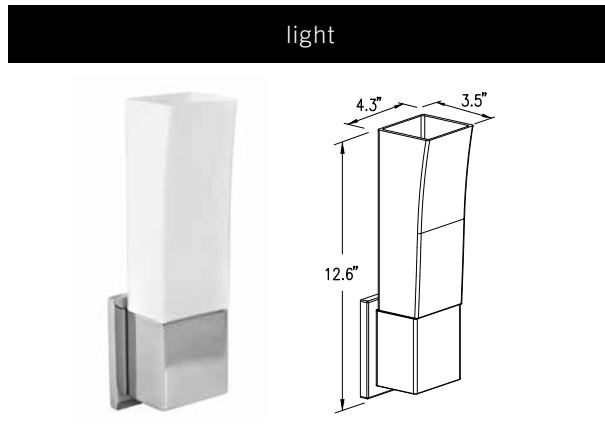


1139SR*	Shower Curtain Riings Set of 12	59	75
---------	---------------------------------	----	----

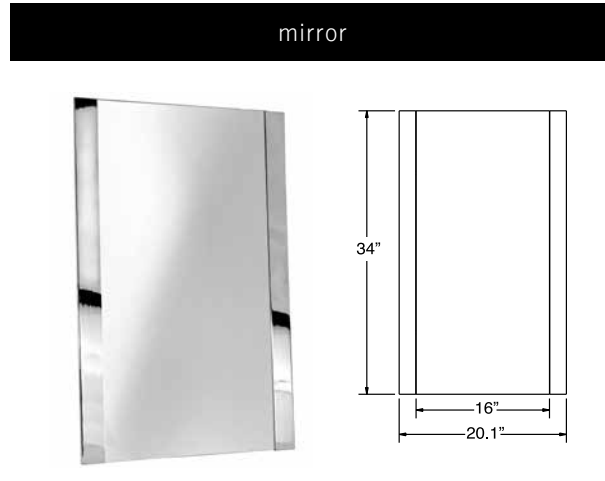
notes

- 1) Straight Shower Rods that are lacquered finished are likely to scratch from abrasion caused by sliding curtain rings. This item is not covered by GINGER's product warranty.
- 2) Lights are UL listed for damp locations. Top bulb uses A15 or A19 incandescent, 100 watt maximum. Bottom bulb uses C7, 7 watt maximum.
- 3) Toiletry Shelves: Glass is tempered.
- 4) Mirrors: Glass is beveled.

towel bars		item	description	PC	PN SN
		4702	18" Towel Bar	250	299
		4703	24" Towel Bar	286	339
		4722-24	24" Double Towel Bar	439	519
towel ring				PC	PN SN
		4705-8	8" Towel Ring	258	306
toilet tissue holders				PC	PN SN
		4708N	Double Post Toilet Tissue Holder Pivoting Arm	262	316
hooks				PC	PN SN
		4710	Single Robe Hook	109	129
toiletry shelf				PC	PN SN
		4734T-24	24" Shelf	303	364



item	description	PC	PN SN
Light use compact fluorescent bulb with a G24Q-2 base. 18-watt, 4-pin G24Q2, 2700K warm white color bulb included.			
4781	Single Light Satin Etched, Cased Opal Glass	459	529
40409	Replacement Light Shade	192	192



		PC	PN SN
Tilting mechanism may be used w/framed mirror.			
4741	Framed Mirror 20.04" x 34" Overall 16" x 34" Glass Only	810	966
MTM-009	Tilting Mechanism, Optional**	88	88
**Mirror tilts 4.5° with mechanism.			

notes

<p>1) Lights are UL listed for damp locations. Bulb uses an 18-watt, 4-pin (G24Q-2) base, compact fluorescent lamp, 2700K warm white color.</p> <p>2) Toiletry Shelves: Glass is tempered.</p> <p>3) Mirrors: Glass is beveled.</p>
---

# COLUMNAR

towel bars		item	description	PC	PN SN
		4502	18" Towel Bar	258	308
		4503	24" Towel Bar	284	342
		4504	32" Towel Bar	290	347
		4522S	Double Swing Towel Bar	353	422

towel rings				PC	PN SN
		4505	Towel Ring	205	246
		4521	Towel Ring - Open	205	246

toilet tissue holders				PC	PN SN
		4508N	Double Post Toilet Tissue Holder	276	329
		4509	Hanging Toilet Tissue Holder	385	461
		4527	Double Post Toilet Tissue Holder with Glass Cover	353	422
		4528	Recessed Toilet Tissue Holder	422	508

hook				PC	PN SN
	4511	Double Robe Hook	248	269	

# COLUMNAR

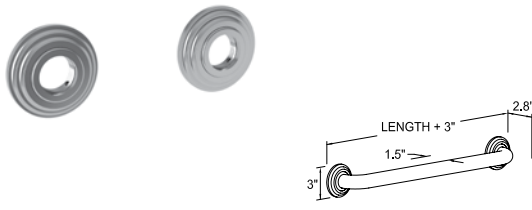


## toiletary shelf

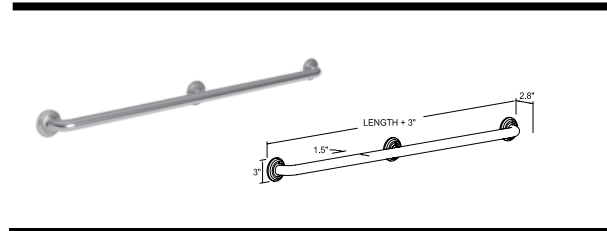



item	description	PC	PN SN
4534T-18	18" Shelf	306	366
4534T-24	24" Shelf	330	394

## grab bars

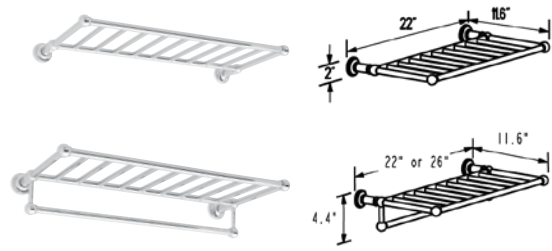


		PC	PN SN
<b>HOW TO ORDER:</b>			
	<b>STEP 1:</b> Select Decorative Rings and Mounting Kit		
	<b>STEP 2:</b> Select Grab Bar Tube		
<b>STEP 1:</b>			
920-2400	Decorative Rings and Mounting Kit	160	218
<b>STEP 2:</b>			
5080	12" Grab Bar Tube	140	206
5081	16" Grab Bar Tube	166	233
5082	18" Grab Bar Tube	187	260
5083	24" Grab Bar Tube	224	301
5085	36" Grab Bar Tube	330	410



920-3942	42" Grab Bar**	599	781
	** Complete grab bar kit		
	 Grab bars are ADA Compliant		

## hotel shelves




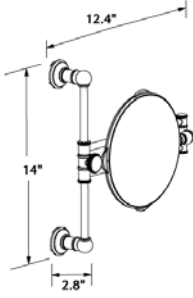

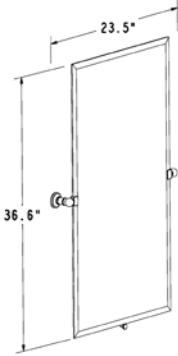
		PC	PN SN
4540-20	20" Hotel Shelf	643	772
4543-20	20" Hotel Shelf with Towel Bar	775	931
4543-24	24" Hotel Shelf with Towel Bar	852	1,024

## lights


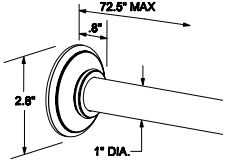



		PC	PN SN
<b>IMPORTANT:</b> These lights are compact fluorescent bulbs with a GU24 socket. Incandescent bulbs can not be used with these lights. Bulb(s) included with initial purchase.			
4581-1	Single Light Satin Etched Glass*	651	778
4581-G-E	*Replacement Glass Shade Satin Etched Glass	186	195
4581	Single Pivoting Light Satin Etched Glass*	681	819

# COLUMNAR

mirrors		item	description	PC	PN SN
		4544	Pivoting Vanity Mirror on Slide Bar	710	852
		4542	Frameless Pivoting Mirror 23.50" x 36.57" Overall 20" x 36.57" Glass Only	665	798

straight shower rod		PC	PN SN
---------------------	--	----	----------

		IMPORTANT: Order (1) Bracket Pair plus (1) Rod to make a complete unit. 6' Straight Rods should be trimmed for use in smaller openings.			
		1139R-6	6' Shower Curtain Rod	186	225
		4539B	Shower Rod Brackets Only, Pair	146	175
		1139SR*	Shower Curtain Rings Set of 12	59	75

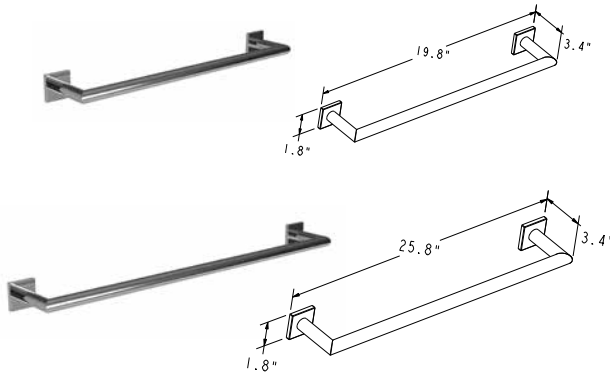
notes
-------

- 1) Lights are UL listed for damp locations. Glass shades are satin etched. Bulbs are compact fluorescent, GU24 socket; bulb(s) included with initial purchase.
- 2) Toiletry shelves: glass is tempered.
- 3) Mirrors
  - a) Mirrors: beveled glass except 4544.
  - b) 4544: one side is 3x magnification.
- 4) Straight Shower Rods: with lacquered finishes are likely to scratch from abrasion caused by sliding curtain rings. This item is not covered by GINGER'S product warranty.

\*Not available in PN



towel bars

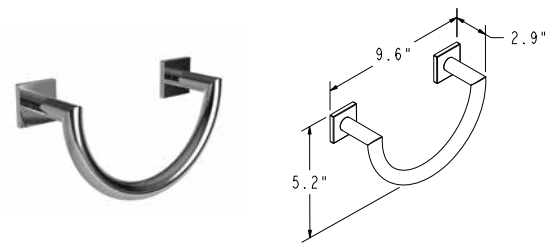


item	description	PC	PN SN
------	-------------	----	----------

5302	18" Towel Bar	214	255
------	---------------	-----	-----

5303	24" Towel Bar	251	300
------	---------------	-----	-----

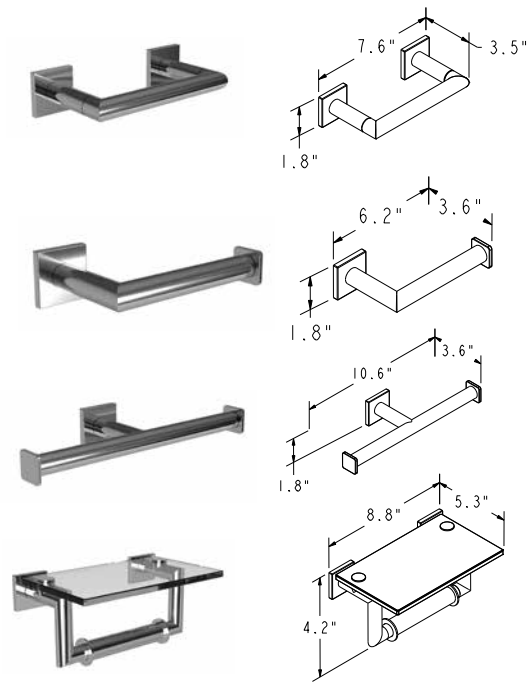
towel ring



		PC	PN SN
--	--	----	----------

5305	Towel Ring	296	357
------	------------	-----	-----

toilet tissue holders



		PC	PN SN
--	--	----	----------

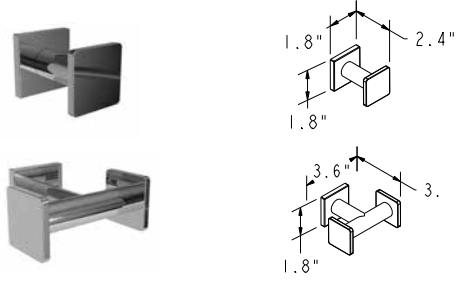
5308	Double Post Toilet Tissue Holder Pivoting Arm	237	299
------	---	-----	-----

5306	Open Toilet Tissue Holder	204	244
------	---------------------------	-----	-----

5309	Double Open Toilet Tissue Holder	216	269
------	----------------------------------	-----	-----

5327	Double Post Toilet Tissue Holder With Cover	313	393
------	---	-----	-----

hooks



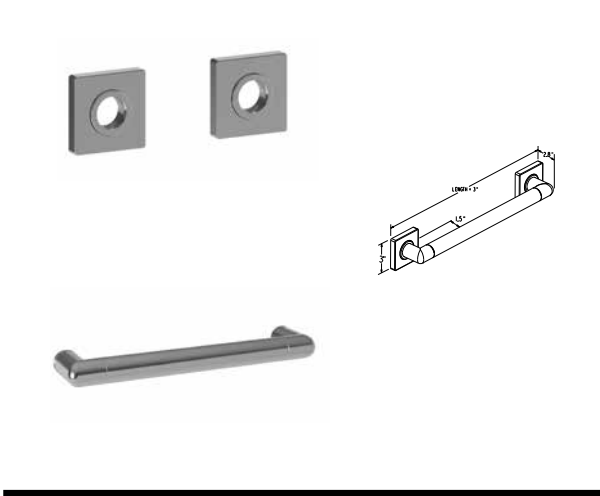
		PC	PN SN
--	--	----	----------

5310	Single Robe Hook	74	81
------	------------------	----	----

5310D	Double Robe Hook	151	158
-------	------------------	-----	-----

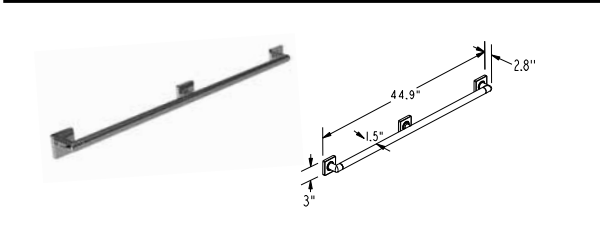
grab bars

item	description	PC	PN SN
------	-------------	----	----------



**HOW TO ORDER:** **STEP 1:** Select Decorative Rings and Mounting Kit  
**STEP 2:** Select Grab Bar Tube

<b>STEP 1:</b>			
2040-2400	Decorative Rings and Mounting Kit	220	230
<b>STEP 2:</b>			
5080SQ	12" Grab Bar Tube	181	215
5081SQ	16" Grab Bar Tube	221	297
5082SQ	18" Grab Bar Tube	244	299
5083SQ	24" Grab Bar Tube	283	340
5085SQ	36" Grab Bar Tube	369	462



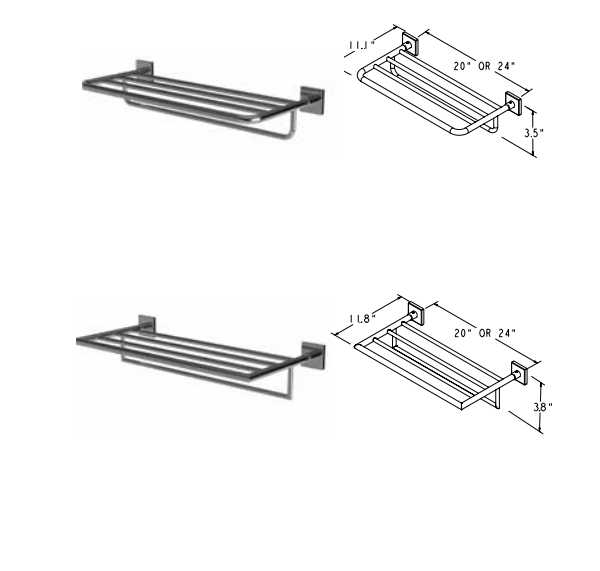
2040-3942	42" Grab Bar**	691	933
-----------	----------------	-----	-----

\*\* Sold as a complete unit

Grab bars are ADA Compliant

hotel shelves

		PC	PN SN
--	--	----	----------

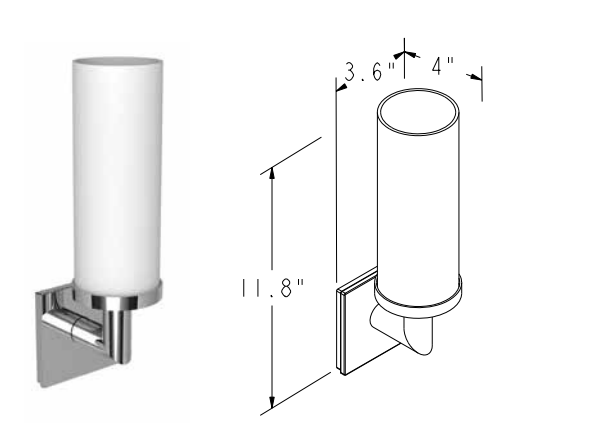


**IMPORTANT:** Order (1) Mounting Kit plus (1) Frame to make a complete unit.

524B	Hotel Shelf Mounting Kit	124	148
XX43-20	20" Hotel Shelf Frame with Towel Bar	306	366
XX43-24	24" Hotel Shelf Frame with Towel Bar	326	387
XX43S-20	20" Hotel Shelf Frame with Towel Bar Squared Corners	384	463
XX43S-24	24" Hotel Shelf Frame with Towel Bar Squared Corners	415	497

light

		PC	PN SN
--	--	----	----------



**IMPORTANT:** The backplate on the Dyad light 5381 is not of standard size. Provide the following information to your electrician and wall finisher for proper installation.

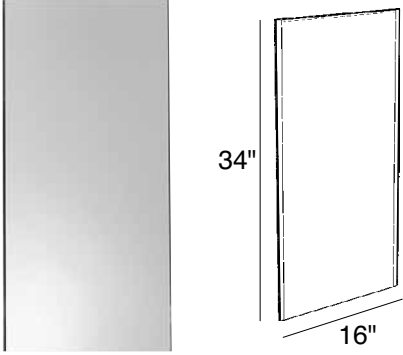
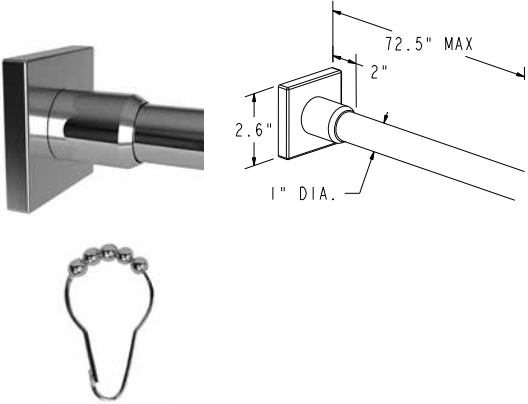
The Dyad Light 5381 is designed to mount onto a raised cover plate (also called a round plaster ring or a round raised mud ring) attached to an electrical box in the pre-drywall stage. Use two no. 8 tapped holes on 2 3/4" centers. Maximum area of finished wall opening that will be covered by the Dyad light backplate is 3 5/8" x 3 5/8".

5381	Single Light	447	539
3681-G-0	Replacement Glass Shade, Satin Etched, Cased Opal. Note finish when ordering (i.e. 3681-G-0/PC)	134	172

\*\* ADA compliant.


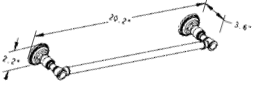

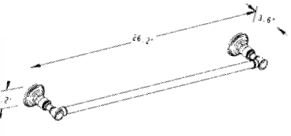




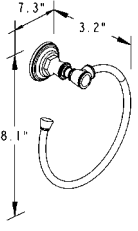



mirror	item description	NO FINISH	
	<p>4641N Frameless Mirror 16" x 34" Overall</p>	412	
straight shower rod	PC PN SN		
	<p>IMPORTANT: Order (1) Bracket Pair plus (1) Rod to make a complete unit. 6' Straight Rods should be trimmed for use in smaller openings.</p> <p>1139R-6 6' Shower Curtain Rod 186 225</p> <p>5239B Shower Rod Brackets Only, Pair 146 175</p> <p>1139SR* Shower Curtain Rings Set of 12 59 75</p>		
notes			


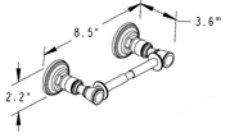


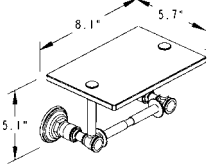
- 1) Lights are UL listed for damp locations and are ADA compliant. Bulbs are A19 incandescent, 100 watt maximum.
- 2) Mirrors: Glass is beveled.
- 3) Straight Shower Rods: with lacquered finishes are likely to scratch from abrasion caused by sliding curtain rings. This item is not covered by GINGER'S product warranty.

# EAVON


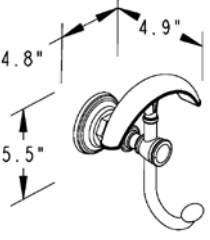


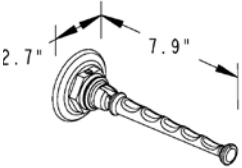
towel bars		item	description	PC	PN SN
		4802	18" Towel Bar	233	289
		4803	24" Towel Bar 	250	299

towel ring				PC	PN SN
		4821	Towel Ring - Open 	204	246

toilet tissue holders				PC	PN SN
-----------------------	--	--	--	----	----------

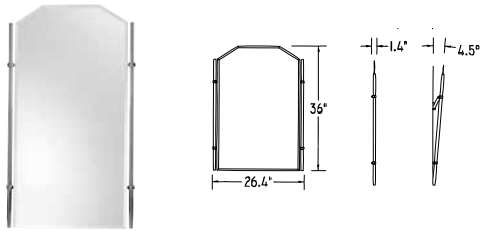
		4808	Double Post Toilet Tissue Holder 	233	282
		4827	Double Post Toilet Tissue Holder with Glass Cover	269	324

hooks				PC	PN SN
-------	--	--	--	----	----------

		4811	Double Robe Hook 	233	264
		4817	Valet Hook	263	290



mirror



item	description	PC	PN SN
------	-------------	----	----------

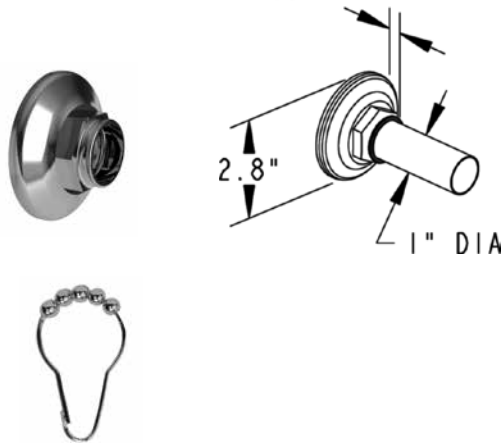
Tilting mechanism may be used w/framed or frameless mirror.

642	Framed Mirror 26.40" x 36" Overall 24" x 36" Glass Only	774	931
-----	---	-----	-----

MTM-009	Tilting Mechanism, Optional**	88	88
---------	----------------------------------	----	----

\*\*Mirror tilts 4.5° with mechanism.

straight shower rod



		PC	PN SN
--	--	----	----------

IMPORTANT: Order (1) Bracket Pair plus (1) Rod to make a complete unit. 6' Straight Rods should be trimmed for use in smaller openings.

1139R-6	6' Shower Curtain Rod	186	225
---------	-----------------------	-----	-----

4839B	Shower Rod Brackets Only, Pair	146	175
-------	-----------------------------------	-----	-----

1139SR*	Shower Curtain Rings Set of 12	59	75
---------	-----------------------------------	----	----

notes

1) Straight Shower Rods: with lacquered finishes are likely to scratch from abrasion caused by sliding curtain rings. This item is not covered by GINGER'S product warranty.

# EMPIRE

towel bars		item	description	PC	PN SN
	602	18" Towel Bar	☉	213	255
	603	24" Towel Bar	☉	220	262
	604	32" Towel Bar		250	299

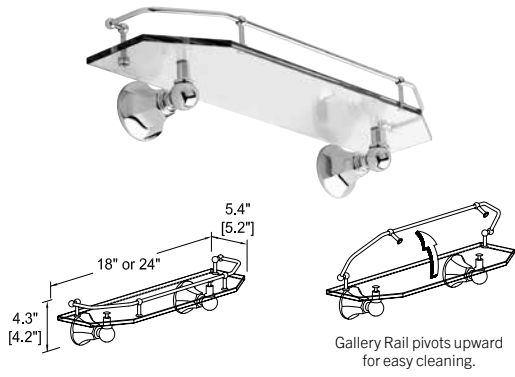
towel ring				PC	PN SN
	621	Towel Ring - Open	☉	184	221

toilet tissue holders				PC	PN SN
	609	Hanging Toilet Tissue Holder	☉	197	235
	608	Double Post Toilet Tissue Holder	☉	255	306

hooks				PC	PN SN
	610	Single Robe Hook	☉	104	111
	611	Double Robe Hook	☉	125	139



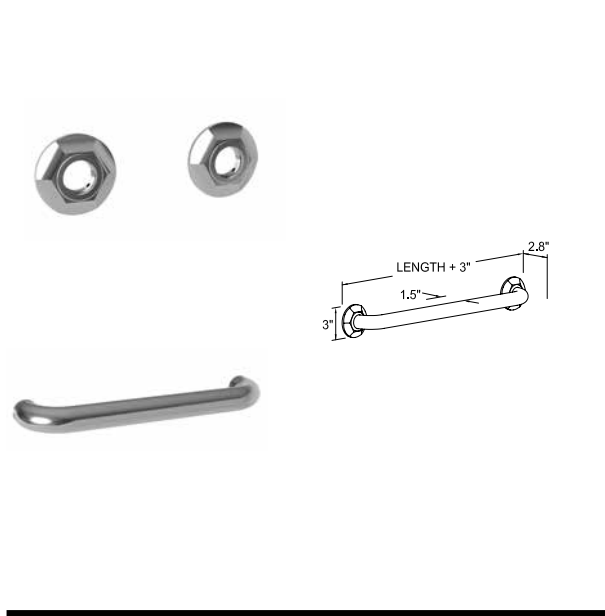
## toiletty shelf



item	description	PC	PN SN
------	-------------	----	----------

635T-24	24" Gallery Shelf	499	599
---------	-------------------	-----	-----

## grab bars

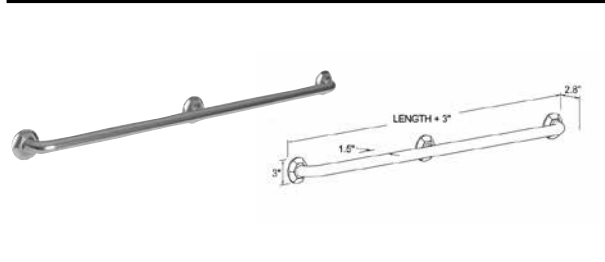


		PC	PN SN
--	--	----	----------

**HOW TO ORDER:** **STEP 1:** Select Decorative Rings and Mounting Kit  
**STEP 2:** Select Grab Bar Tube

<b>STEP 1:</b> 1200-2400	Decorative Rings and Mounting Kit	160	218
-----------------------------	-----------------------------------	-----	-----

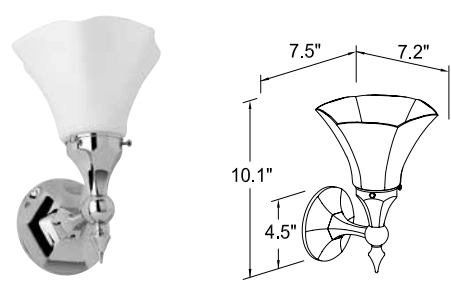
<b>STEP 2:</b> 5080	12" Grab Bar Tube	140	206
5081	16" Grab Bar Tube	166	233
5082	18" Grab Bar Tube	187	260
5083	24" Grab Bar Tube	224	301
5085	36" Grab Bar Tube	330	410



1200-3942	42" Grab Bar**	599	781
-----------	----------------	-----	-----

Grab bars are ADA Compliant

## light



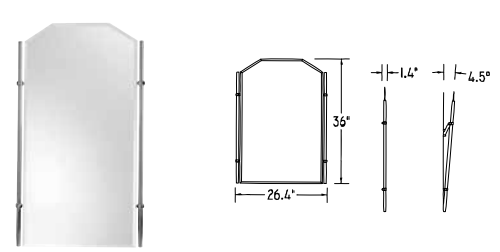

		PC	PN SN
--	--	----	----------

Empire single and double lights below may also be installed with the shades facing upward or downward.

682SO	Single Light Satin Opal Glass	435	521
682-G-SO	Replacement Glass Shade, Satin Opal	132	132

Please refer to Light Notes (p. 456) for important information on light installation.

# EMPIRE

mirror	item	description	PC	PN SN
	<p>Tilting mechanism may be used w/framed or frameless mirror.</p> <p>642 Framed Mirror 26.40" x 36" Overall 24" x 36" Glass Only</p> <p>MTM-009 Tilting Mechanism, Optional**</p>	<p>774</p> <p>88</p>	<p>931</p> <p>88</p>	
<p> **Mirror tilts 4.5° with mechanism.</p>				

## notes


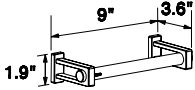

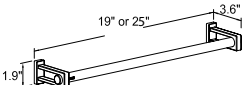

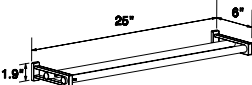

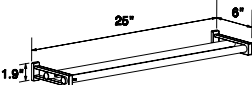
1) Lights are UL listed for damp locations. Bulbs are A15 or A19 incandescent, 100 watt maximum. Refer to Light Notes (p. 456) for important information.


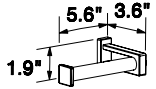

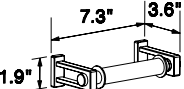

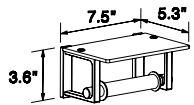
2) Toiletry Shelves: Glass is tempered.


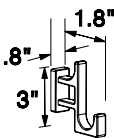
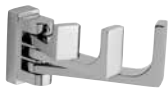
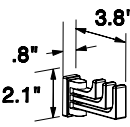
3) Mirrors: Glass is beveled.

# FRAME

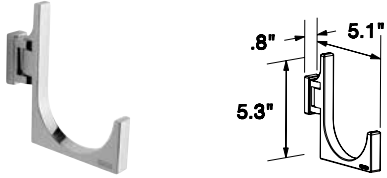

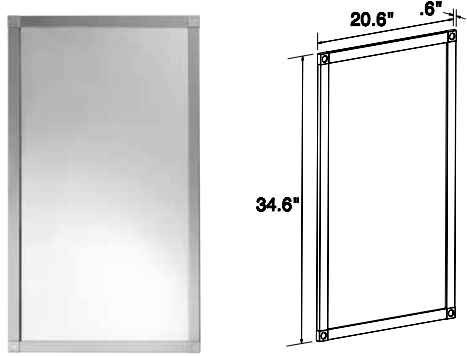


towel bars		item	description	PC	SN
		3001	8" Towel Bar	171	205
		3002	18" Towel Bar	186	220
		3003	24" Towel Bar	198	233
		3022-24	24" Double Towel Bar	306	367

toilet tissue holders				PC	SN
		3006	Open Toilet Tissue Holder	118	140
		3008	Double Post Tissue Holder	198	233
		3027	Double Post Tissue Holder with Cover	279	332

hooks				PC	SN
		3010	Single Robe Hook	95	105
		3011T	Triple Robe Hook - Pivoting	140	153

# FRAME

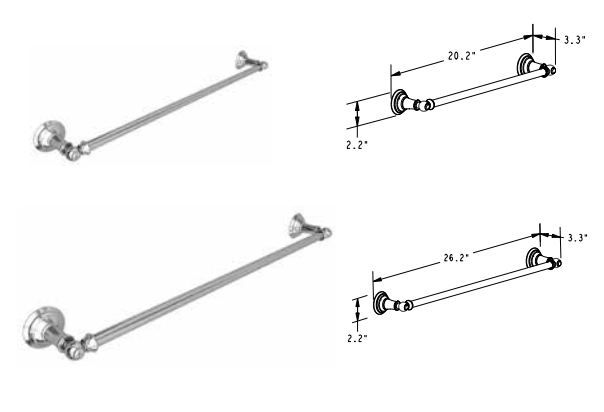
towel hook	item	description	PC	SN
	3005	Pivoting Towel Hook	154	186
toiletory shelf	PC SN			
	3018T-24	24" Shelf	257	308
mirror	PC SN			
	3041	Framed Mirror 20.56" x 34.56" Overall	679	767
notes				


1) Mirrors: Glass is beveled.



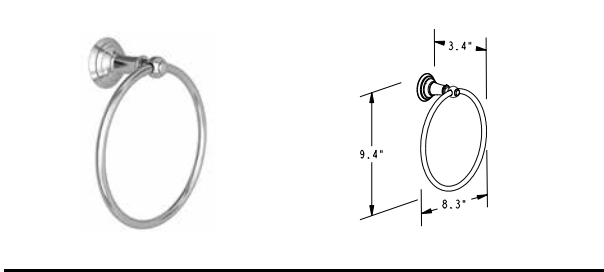



towel bars



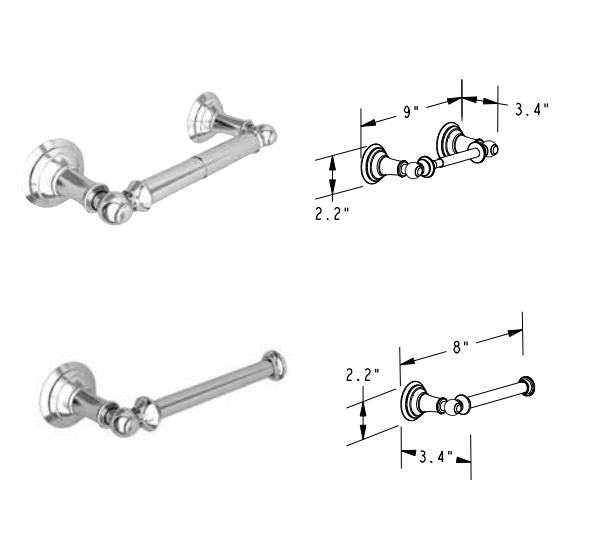
item	description	PC	PN SN
5402	18" Towel Bar	285	373
5403	24" Towel Bar 	304	377



towel rings



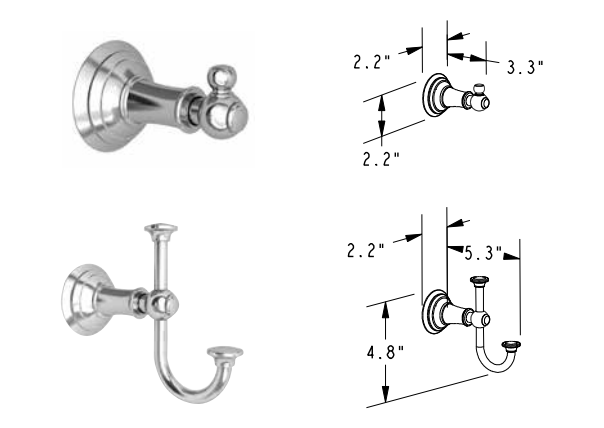
item	description	PC	PN SN
5405	Towel Ring 	208	268



toilet tissue holders



item	description	PC	PN SN
5408	Double Post Toilet Tissue Holder 	268	340
5406	Open Toilet Tissue Holder 	187	233

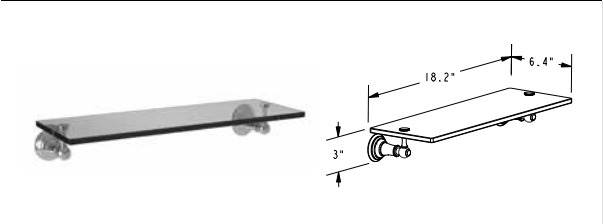
hooks



item	description	PC	PN SN
5410	Single Robe Hook 	155	185
5411	Double Robe Hook 	183	215

# GARNSEY

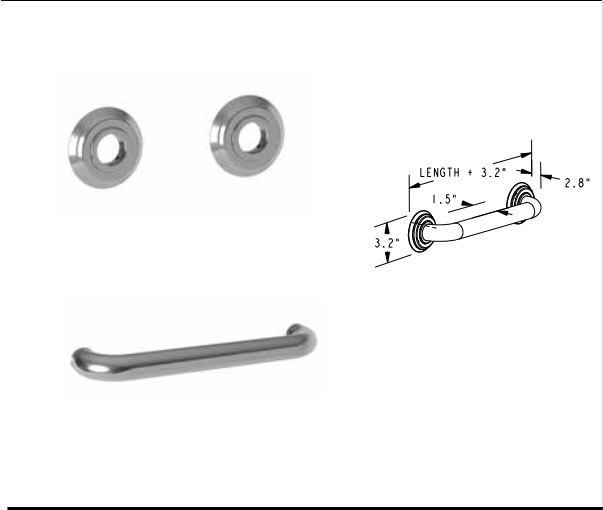
## toiletory shelf



item	description	PC	PN SN
------	-------------	----	----------

5434T-18	18" Shelf	306	368
----------	-----------	-----	-----

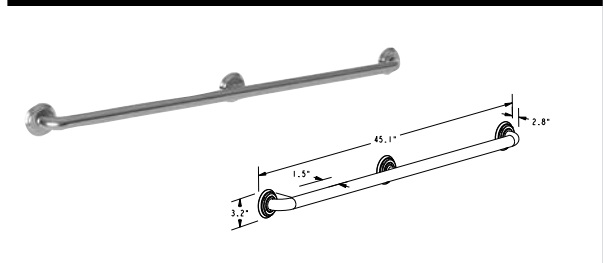
## grab bars



		PC	PN SN
--	--	----	----------

**HOW TO ORDER:** **STEP 1:** Select Decorative Rings and Mounting Kit  
**STEP 2:** Select Grab Bar Tube

<b>STEP 1:</b>			
2400-2400	Decorative Rings and Mounting Kit	259	383
<b>STEP 2:</b>			
5080	12" Grab Bar Tube	140	206
5081	16" Grab Bar Tube	166	233
5082	18" Grab Bar Tube	187	260
5083	24" Grab Bar Tube	224	301
5085	36" Grab Bar Tube	330	410

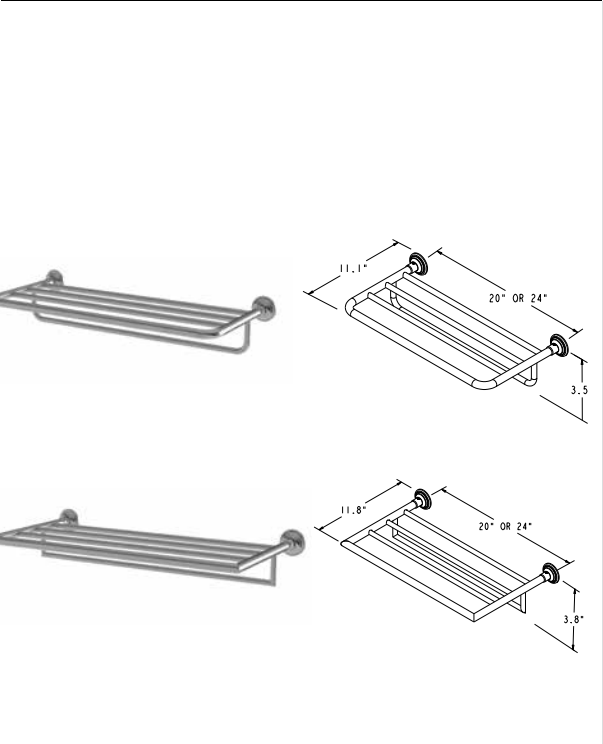


2400-3942	42" Grab Bar**	691	933
-----------	----------------	-----	-----

\*\* Complete grab bar kit

Grab bars are ADA Compliant

## hotel shelves



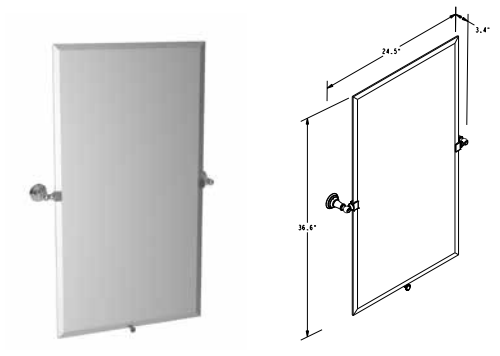
		PC	PN SN
--	--	----	----------

**IMPORTANT:** Order (1) Mounting Kit plus (1) Frame to make a complete unit.

544B	Hotel Shelf Mounting Kit	137	164
XX43-20	20" Hotel Shelf Frame with Towel Bar	306	366
XX43-24	24" Hotel Shelf Frame with Towel Bar	326	387
XX43S-20	20" Hotel Shelf Frame with Towel Bar Squared Corners	384	463
XX43S-24	24" Hotel Shelf Frame with Towel Bar Squared Corners	415	497

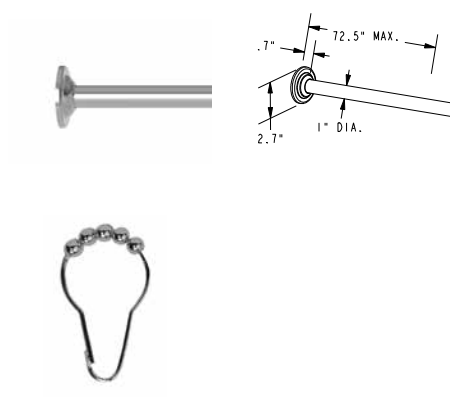


mirror	item	description	PC	PN SN
--------	------	-------------	----	----------



5442	Frameless Pivoting Mirror 24.53" x 36.58" Overall 20" x 36" Glass Only	663	746
------	--	-----	-----

straight shower rod	item	description	PC	PN SN
---------------------	------	-------------	----	----------


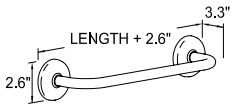

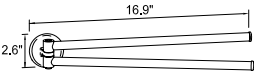



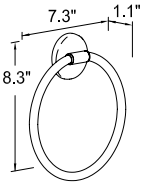
IMPORTANT: Order (1) Bracket Pair plus (1) Rod to make a complete unit. 6' Straight Rods should be trimmed for use in smaller openings.


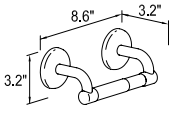

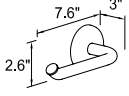
1139R-6	6' Shower Curtain Rod	186	225
5439B	Shower Rod Brackets Only, Pair	146	175
1139SR*	Shower Curtain Rings Set of 12	59	75


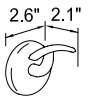
\*Not available in PN

# HOTELIER

towel bars		item	description	PC	SN
		0303	24" Towel Bar	118	141
		0322-16	16" Double Swing Towel Bar	130	158

towel rings				PC	SN
		0305	Towel Ring	99	118

toilet tissue holders				PC	SN
		0308	Double Post Toilet Tissue Holder	121	144
		0306	Open Toilet Tissue Holder	99	118

hooks				PC	SN
		0310	Robe Hook	58	60

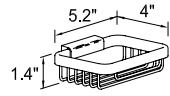
soap/lotion dispenser				PC	SN
		0314	Soap/Lotion Dispenser	208	249



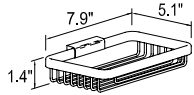
## baskets

item	description	PC	MB	PN	SN
------	-------------	----	----	----	----

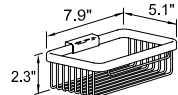
See Baskets (pg 443) for a comprehensive list of baskets



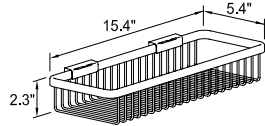
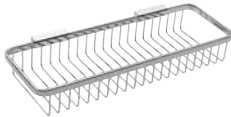
550G	Soap Basket	81.	98	98	98
------	-------------	-----	----	----	----



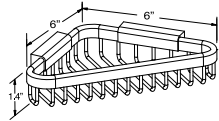
551G	8" Toiletry Basket	102	NA	NA	124
------	--------------------	-----	----	----	-----



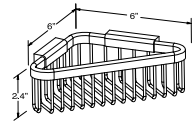
551DG	8" Deep Toiletry Basket	113	NA	NA	139
-------	-------------------------	-----	----	----	-----



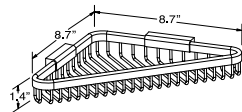
552G	Long Deep Toiletry Basket	195	NA	233	233
------	---------------------------	-----	----	-----	-----



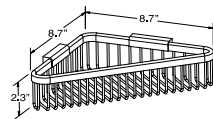
553G	6" Corner Basket	99	115	115	115
------	------------------	----	-----	-----	-----



553DG	6" Deep Corner Basket	101	119	NA	119
-------	-----------------------	-----	-----	----	-----



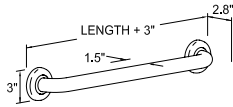
554G	9" Corner Basket	135	NA	NA	160
------	------------------	-----	----	----	-----



554DG	9" Deep Corner Basket	155	184	184	184
-------	-----------------------	-----	-----	-----	-----

# HOTELIER

## grab bars



### HOW TO ORDER:

**STEP 1:** Select Decorative Rings and Mounting Kit

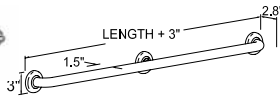
**STEP 2:** Select Grab Bar Tube

#### STEP 1:

item	description	PC	SN
990-2400	Decorative Rings and Mounting Kit	160	218

#### STEP 2:

5080	12" Grab Bar Tube	140	206
5081	16" Grab Bar Tube	166	233
5082	18" Grab Bar Tube	187	260
5083	24" Grab Bar Tube	224	301
5085	36" Grab Bar Tube	330	410




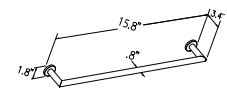

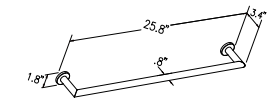


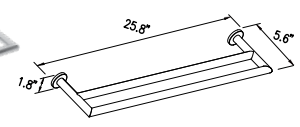
990-3942	42" Grab Bar**	599	781
----------	----------------	-----	-----

\*\* Complete grab bar kit


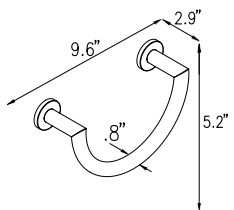



Grab bars are ADA Compliant


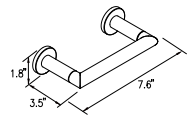


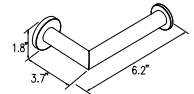


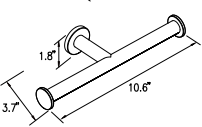

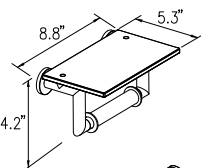

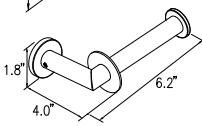


towel bars		item	description	PC	MB PN, SN
		4602	18" Towel Bar	221	265
		4603	24" Towel Bar 	261	312
		4622-24	24" Double Towel Bar	389	469


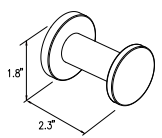


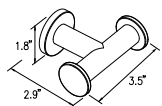


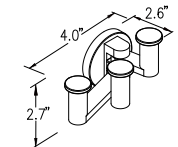
towel rings		PC	MB PN, SN
-------------	--	----	--------------

		4605	Towel Ring 	308	369
---	---	------	--	-----	-----

toilet tissue holders		PC	MB PN, SN
-----------------------	--	----	--------------

		4608	Double Post Toilet Tissue Holder Pivoting Arm 	248	311
		4606	Open Toilet Tissue Holder 	214	252
		4609	Double Open Toilet Tissue Holder	223	281
		4627	Double Post Toilet Tissue Holder with Cover	327	409
		4607	Spare Toilet Tissue Holder	199	237

hooks		PC	MB PN, SN
-------	--	----	--------------

		4610	Single Robe Hook 	84	95
		4610D	Double Robe Hook 	156	165
		4610T	Triple Pivoting Robe Hook	221	254

# KUBIC

toiletty shelves		item	description	PC	MB PN, SN
		4634T	24" Shelf	300	363
		4619T-12	12" Shelf with Towel Bar	408	511
		4619T-24	24" Shelf with Towel Bar	439	527

grab bars		PC	MB PN, SN
-----------	--	----	--------------

	<p><b>HOW TO ORDER:</b> <b>STEP 1:</b> Select Decorative Rings and Mounting Kit <b>STEP 2:</b> Select Grab Bar Tube</p>			
	<p><b>STEP 1:</b></p>			
	2480-2400	Decorative Rings and Mounting Kit	206	230
	<p><b>STEP 2:</b></p>			
	5080SQ	12" Grab Bar Tube	181	215
	5081SQ	16" Grab Bar Tube	221	297
	5082SQ	18" Grab Bar Tube	244	299
5083SQ	24" Grab Ba Tube	283	340	
5085SQ	36" Grab Bar Tube	369	462	

	2480-3942	42" Grab Bar**	691	933
<p>** Complete grab bar kit</p>				
<p> Grab bars are ADA Compliant</p>				

hotel shelves		PC	MB PN, SN
---------------	--	----	--------------

<p>IMPORTANT: Order (1) Mounting Kit plus (1) Frame to make a complete unit.</p>					
		464B	Hotel Shelf Mounting Kit	128	155
	XX43-20	20" Hotel Shelf Frame with Towel Bar	306	366	
	XX43-24	24" Hotel Shelf Frame with Towel Bar	326	387	
	XX43S-20	20" Hotel Shelf Frame w/Towel Bar Squared Corners	384	463	
	XX43S-24	24" Hotel Shelf Frame w/Towel Bar Squared Corners	415	497	





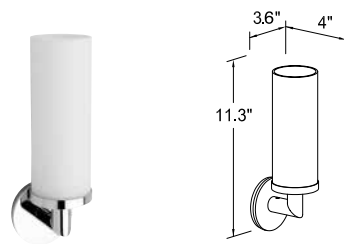
## lights

item	description	PC	MB PN, SN
------	-------------	----	--------------

**IMPORTANT:** The backplate on the 4681 and 4682 lights is not of standard size. Provide the following information to your electrician and wall finisher for proper installation.

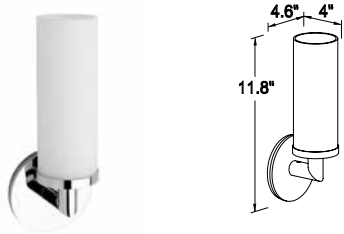
The 4681 and 4682 Kubic Lights are designed to mount onto a raised cover plate (also called a round plaster ring or a round raised mud ring) attached to an electrical box in the pre-drywall stage. Use two no. 8 tapped holes on 2 3/4" centers. Maximum diameter of finished wall opening that will be covered by the Kubic light backplate is 3 5/8".

The 4681L and 4682L lights have a larger rosette that covers a standard 1 GANG US junction box. The Kubic Single lights can be installed with the shade facing upward or downward.



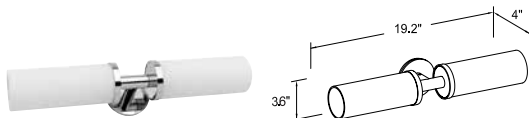
4681	Single Light, 3.6" $\phi$ Rosette**	466	561
------	-------------------------------------	-----	-----

DWRR	Raised Cover Plate for 4681 or 4682	13	13
------	-------------------------------------	----	----



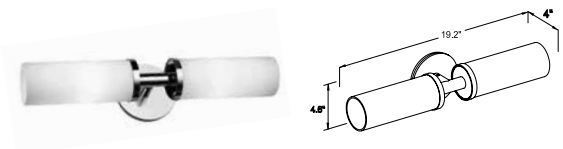
4681L	Single Light, 4.6" $\phi$ Rosette**	483	580
-------	-------------------------------------	-----	-----

The Kubic Double lights can be installed horizontally or vertically.



4682	Double Light, 3.6" $\phi$ Rosette**	532	638
------	-------------------------------------	-----	-----

DWRR	Raised Cover Plate for 4681 or 4682	13	13
------	-------------------------------------	----	----



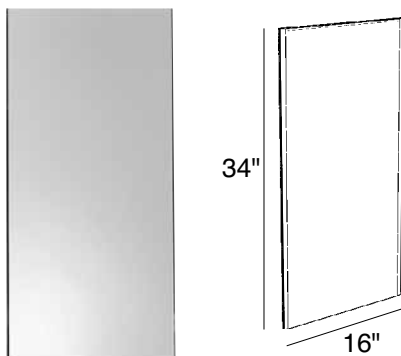
4682L	Double Light, 4.6" $\phi$ Rosette**	549	662
-------	-------------------------------------	-----	-----

3681-G-O	Replacement Glass Shade, Satin Etched, Cased Opal. Note finish when ordering (i.e. 3681-G-O/PC)	134	172
----------	---	-----	-----

\*\*ADA Compliant

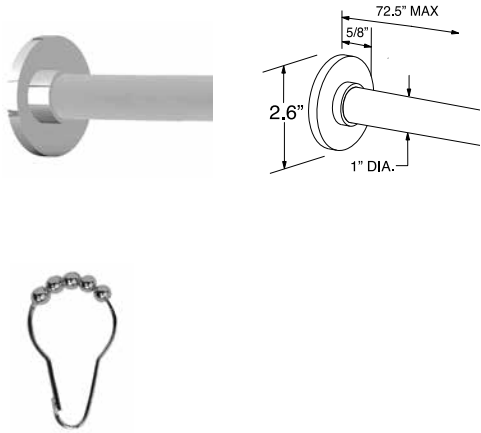
## mirror

NO FINISH			
-----------	--	--	--



4641N	Frameless Mirror 16" x 34" Overall	412	
-------	---------------------------------------	-----	--

## straight shower rod



item	description	PC	PN SN
------	-------------	----	----------

IMPORTANT: Order (1) Bracket Pair plus (1) Rod to make a complete unit. 6' Straight Rods should be trimmed for use in smaller openings.


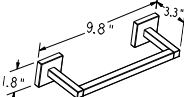


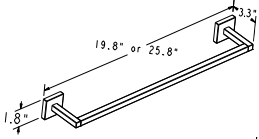


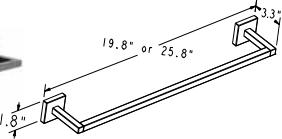

1139R-6	6' Shower Curtain Rod	186	225
4639B	Shower Rod Brackets Only Pair	91	110
	*Not available in MB		
1139SR*	Shower Curtain Rings Set of 12	59	75


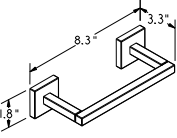


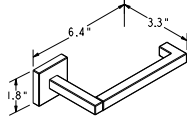


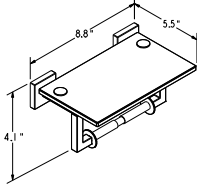
## notes


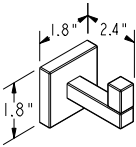


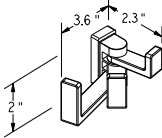

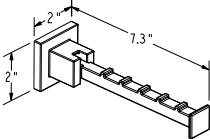
- 1) Lights are UL listed for damp locations and are ADA compliant. Bulbs are A19 incandescent, 100 watt maximum.
- 2) Toiletry Shelves: Glass is tempered.
- 3) Mirrors: Glass is beveled.
- 4) Straight Shower Rods: with lacquered finishes are likely to scratch from abrasion caused by sliding curtain rings. This item is not covered by GINGER'S product warranty.


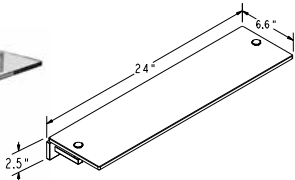


# LINEAL

towel bars		item	description	PC	PN SN
		5205	8" Towel Bar 	152	183
		5202	18" Towel Bar 	217	260
		5203	24" Towel Bar 	255	306

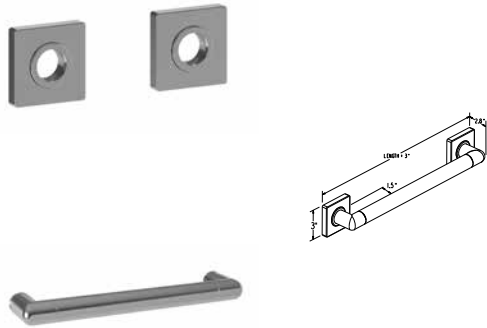
toilet tissue holders				PC	PN SN
		5208	Double Post Toilet Tissue Holder  Pivoting Arm	242	305
		5206	Open Toilet Tissue Holder 	207	248
		5227	Double Post Toilet Tissue Holder with Cover	313	393

hooks				PC	PN SN
		5210	Robe Hook 	76	82
		5210T	Triple Robe Hook - Pivoting	206	227
		5217	Valet Hook	253	278

toiletory shelves				PC	PN SN
		5234T-24	24" Shelf	289	355



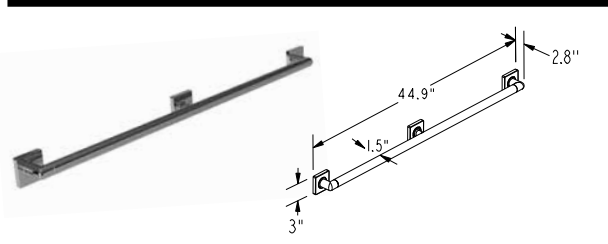
grab bars



item	description	PC	PN SN
------	-------------	----	----------

**HOW TO ORDER:** **STEP 1:** Select Decorative Rings and Mounting Kit  
**STEP 2:** Select Grab Bar Tube

<b>STEP 1:</b>			
2040-2400	Decorative Rings and Mounting Kit	220	230
<b>STEP 2:</b>			
5080SQ	12" Grab Bar Tube	181	215
5081SQ	16" Grab Bar Tube	221	297
5082SQ	18" Grab Bar Tube	244	299
5083SQ	24" Grab Ba Tube	283	340
5085SQ	36" Grab Bar Tube	369	462

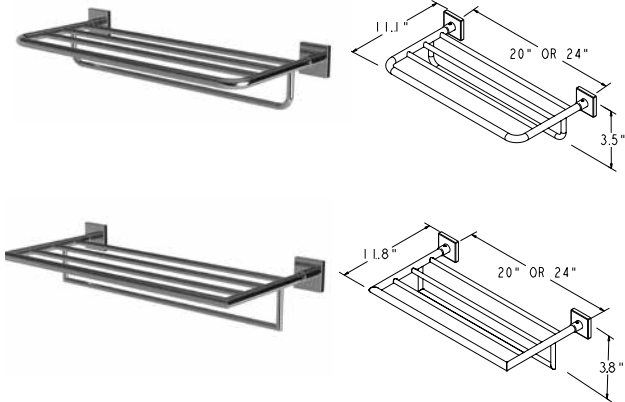


2040-3942	42" Grab Bar**	691	933
** Sold as a complete unit			
Grab bars are ADA Compliant			

hotel shelves

		PC	PN SN
--	--	----	----------

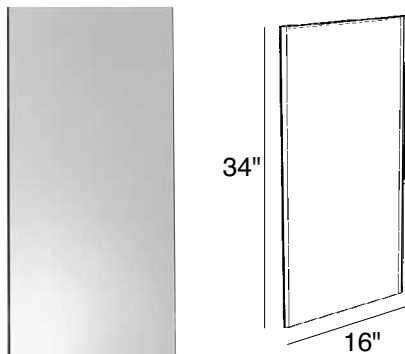
**IMPORTANT:** Order (1) Mounting Kit plus (1) Frame to make a complete unit.



524B	Hotel Shelf Mounting Kit	124	148
XX43-20	20" Hotel Shelf Frame with Towel Bar	306	366
XX43-24	24" Hotel Shelf Frame with Towel Bar	326	387
XX43S-20	20" Hotel Shelf Frame with Towel Bar Squared Corners	384	463
XX43S-24	24" Hotel Shelf Frame with Towel Bar Squared Corners	415	497

mirror

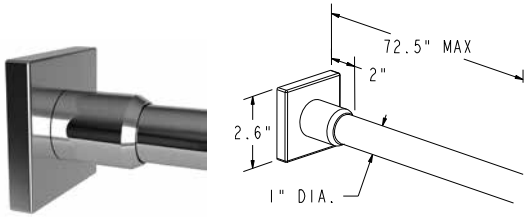
		NO FINISH
--	--	-----------



4641N	Frameless Mirror 16" X 34" Overall	412
-------	---------------------------------------	-----

# LINEAL

## straight shower rod



item	description	PC	PN SN
------	-------------	----	----------

IMPORTANT: Order (1) Bracket Pair plus (1) Rod to make a complete unit. 6' Straight Rods should be trimmed for use in smaller openings.

1139R-6	6' Shower Curtain Rod	186	225
---------	-----------------------	-----	-----

5239B	Shower Rod Brackets Only Pair	146	175
-------	----------------------------------	-----	-----

1139SR*	Shower Curtain Rings Set of 12	59	75
---------	-----------------------------------	----	----

## notes


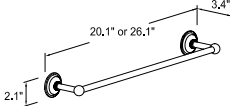


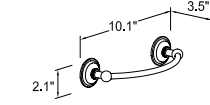


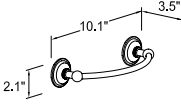


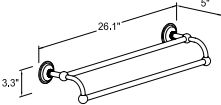
1) Toiletry Shelves: Glass is tempered.

2) Mirrors: Glass is beveled.


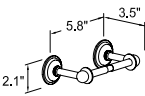


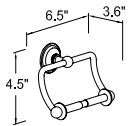
3) Straight Shower Rods: with lacquered finishes are likely to scratch from abrasion caused by sliding curtain rings. This item is not covered by GINGER'S product warranty.

# LONDON TERRACE



towel bars		item	description	PC	PN SN
		2602	18" Towel Bar 	154	185
		2603	24" Towel Bar 	159	189
		2605	8" Towel Bar 	143	167
		2622-24	24" Double Towel Bar	276	328


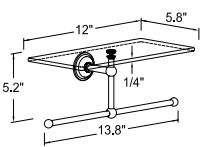
toilet tissue holders		PC	PN SN
-----------------------	--	----	----------

		2608	Double Post  Toilet Tissue Holder	177	213
		2609	Hanging Toilet Tissue Holder	186	220


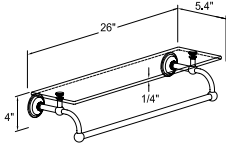

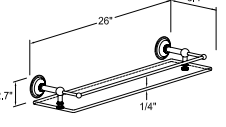

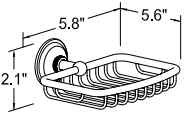
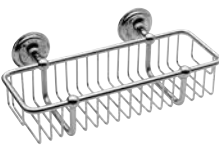
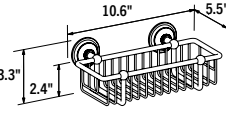
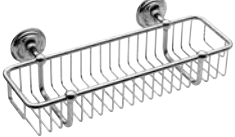
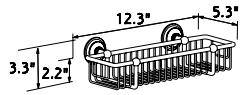

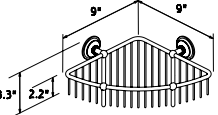

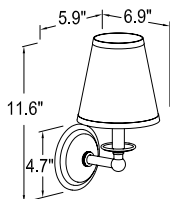
hooks		PC	PN SN
-------	--	----	----------

		2611	Double Robe Hook 	93	103
---	---	------	--	----	-----

trays		PC	PN SN
-------	--	----	----------

		2636T	12" Shelf with Towel Bar	225	259
---	---	-------	--------------------------	-----	-----

# LONDON TERRACE

toiletry shelves		item	description	PC	PN SN
		2619T-24	24" Shelf with Towel Bar	300	360
		2635T-24	24" Gallery Rail Shelf	300	360
baskets				PC	PN SN
		26550	Soap Basket	197	236
		26551	10" Toiletry Basket	322	382
		26552	12" Toiletry Basket	402	481
		26554	9" Corner Basket	340	407
lights				PC	PN SN
		2681	Single Light White Fabric Shade	239	281
		2681-TS	Replacement Fabric Shade	77	NA



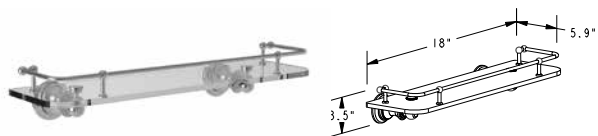


mirrors		item	description	PC	PN SN
		2641	Frameless Pivoting Mirror 18.63" x 30.65" Overall 15" x 30" Glass Only	452	519
		2642	Frameless Pivoting Mirror 23.60" x 36.65" Overall 20" x 36" Glass Only	485	554
straight shower rod					
				PC	PN SN
		IMPORTANT: Order (1) Bracket Pair plus (1) Rod to make a complete unit. 6' Straight Rods should be trimmed for use in smaller openings.			
		1139R-6	6' Shower Curtain Rod	186	225
		2639B	Shower Rod Bracket Only Pair	101	124
		1139SR*	Shower Curtain Rings Set of 12	59	75
notes					
		1) Lights a) UL® listed for damp locations b) shades - poly-rayon fabric c) bulbs - E12 "candelabra" base, incandescent, 60 watt max, E12 "candelabra" base, fluorescent 2) Straight Shower Rods a) Lacquered finishes are likely to scratch from abrasion caused by sliding curtain rings. This item is not covered by GINGER's product warranty. 3) Toiletry Shelves: Glass is tempered. 4) Mirrors: Glass is beveled.			

towel bars		item	description	PC	PN SN
	5602	18" Towel Bar	285	373	
	5603	24" Towel Bar	304	377	
towel rings				PC	PN SN
	5605	Towel Ring	208	268	
toilet tissue holders				PC	PN SN
	5608	Double Post Toilet Tissue Holder	268	340	
	5606	Open Toilet Tissue Holder	187	237	
hooks				PC	PN SN
	5610	Single Robe Hook	155	185	
	5611	Double Robe Hook	183	215	



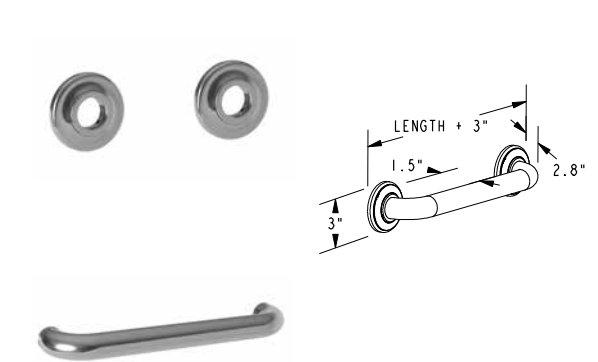
toiletary shelf



item	description	PC	PN SN
------	-------------	----	----------

5635T-18	18" Gallery Shelf	477	570
----------	-------------------	-----	-----

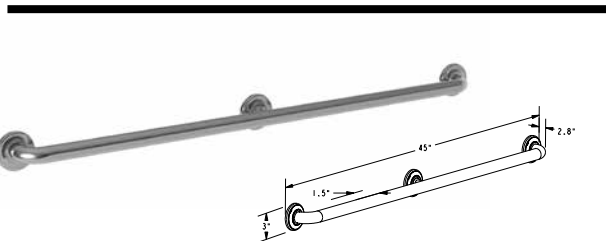
grab bars



		PC	PN SN
--	--	----	----------

**HOW TO ORDER:** **STEP 1:** Select Decorative Rings and Mounting Kit  
**STEP 2:** Select Grab Bar Tube

<b>STEP 1:</b>			
2440-2400	Decorative Rings and Mounting Kit	259	383
<b>STEP 2:</b>			
5080	12" Grab Bar Tube	140	206
5081	16" Grab Bar Tube	166	233
5082	18" Grab Bar Tube	187	260
5083	24" Grab Bar Tube	224	301
5085	36" Grab Bar Tube	330	410



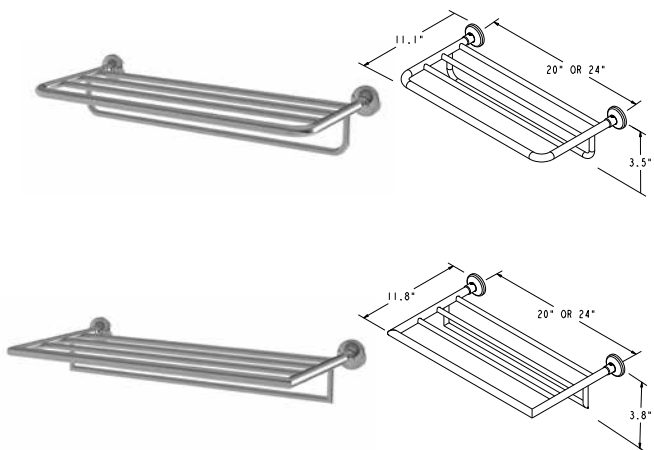
2440-3942	42" Grab Bar**	691	933
-----------	----------------	-----	-----

\*\* Sold as a complete unit  
 Grab bars are ADA Compliant

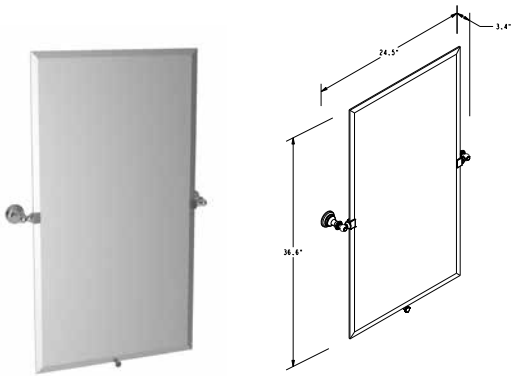
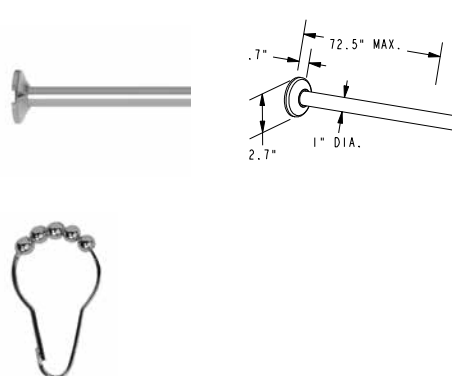
hotel shelves

		PC	PN SN
--	--	----	----------

IMPORTANT: Order (1) Mounting Kit plus (1) Frame to make a complete unit.


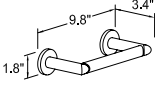


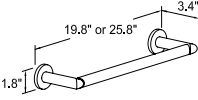








564B	Hotel Shelf Mounting Kit	137	164
XX43-20	20" Hotel Shelf Frame with Towel Bar	306	366
XX43-24	24" Hotel Shelf Frame with Towel Bar	326	387
XX43S-20	20" Hotel Shelf Frame with Towel Bar Squared Corners	384	463
XX43S-24	24" Hotel Shelf Frame with Towel Bar Squared Corners	415	497


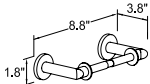


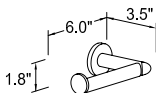

mirror	item	description	PC	PN SN
	5642	Frameless Pivoting Mirror 24.50" x 36.58" Overall 20" x 36" Glass Only	663	777
straight shower rod			PC	PN SN
	1139R-6	6' Shower Curtain Rod	186	225
	5639B	Shower Rod Brackets Only, Pair	146	175
	1139SR*	Shower Curtain Rings Set of 12	59	75
notes				

- 1) Lights
- 2) Straight Shower Rod
  - a) lacquered finishes are likely to scratch from abrasion caused by sliding curtain rings. this item is not covered by GINGER's product warranty.
- 3) Toiletry Shelves: Glass is tempered.
- 4) Mirrors: Glass is beveled.


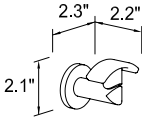

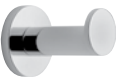
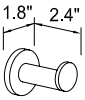



towel bars		item	description	PC	SN
		0205	8" Towel Bar 	128	155
		0202	18" Towel Bar 	170	202
		0203	24" Towel Bar 	179	216
		0222-24	24" Double Towel Bar	317	367


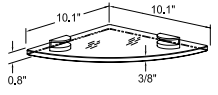

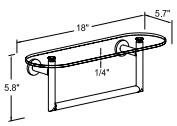

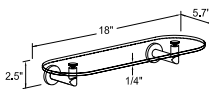

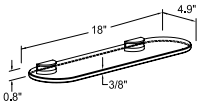
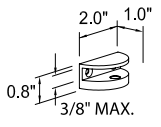

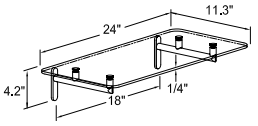

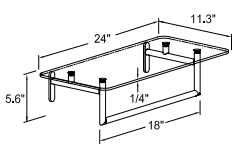
toilet tissue holders		PC	SN
-----------------------	--	----	----

		0208	Double Post Toilet Tissue Holder 	182	217
		0206	Open Toilet Tissue Holder 	114	139

hooks		PC	SN
-------	--	----	----

		0210	Robe Hook 	89	97
		0210H	Single Robe Hook 	67	76

# SINE

trays		item	description	PC	SN
		0218CT-10-10	Corner Shelf	129	159
toiletory shelves				PC	SN
		0219T-18	18" Shelf with Towel Bar	385	463
		0234T-18	18" Shelf	192	230
		0218T-18	18" Shelf	158	189
		0218B-10	C Bracket for 3/8" Glass Shelf, Each	63	75
hotel shelves				PC	SN
		0240-24	24" Hotel Shelf	413	484
		0243-24	24" Hotel Shelf with Towel Bar	512	591



straight shower rod		item	description	PC	SN
		<p>IMPORTANT: Order (1) Bracket Pair plus (1) Rod to make a complete unit. 6' Straight Rods should be trimmed for use in smaller openings.</p>			
		1139R-6	6' Shower Curtain Rod	186	225
		4639B	Shower Rod Brackets Only, Pair	91	110
		1139SR	Shower Curtain Rings Set of 12	59	75
notes					

- 1) Straight Shower Rod
  - a) lacquered finishes are likely to scratch from abrasion caused by sliding curtain rings. this item is not covered by GINGER's product warranty.
- 2) Toiletry Shelves: Glass is tempered.
- 3) Hotel Shelves: Glass is tempered.


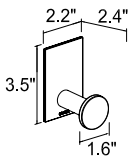


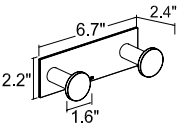


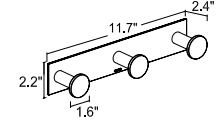
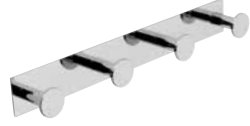
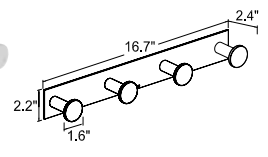
# SURFACE


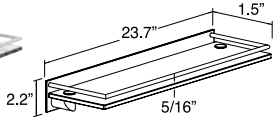

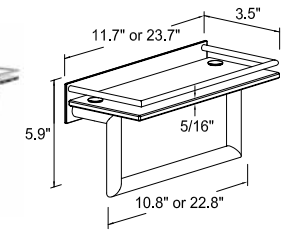
towel bars		item	description	PC	SN
 		2802	18" Towel Bar 	311	373
		2803	24" Towel Bar 	345	416
		2804	32" Towel Bar	442	530
towel ring				PC	SN
 		2805	Towel Ring 	235	283
toilet tissue holders				PC	SN
 		2806L	Open Toilet Tissue Holder, Left	192	231
 		2806R	Open Toilet Tissue Holder, Right 	192	231
 		2809	Double Open Toilet Tissue Holder	233	281
 		2808	Double Post Toilet Tissue Holder 	253	304
 		2807	Spare Toilet Tissue Holder	205	247


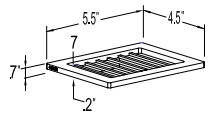

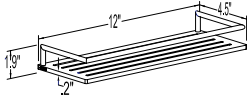


# SURFACE

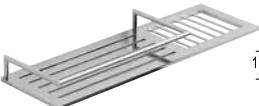
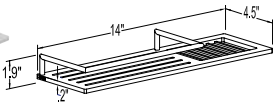

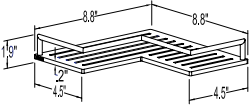

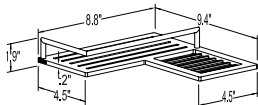

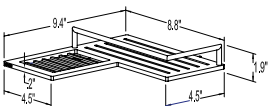



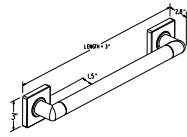
hooks		item	description	PC	SN
		2810	Single Robe Hook 	112	122
		2810D	Double Robe Hook 	167	181
		2810T	Triple Robe Hook	231	254
		2810Q	Quadruple Robe Hook	281	308


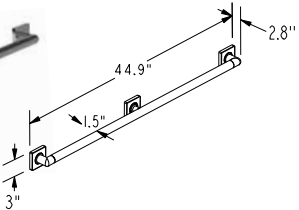

toiletory shelves				PC	SN
		2835T-24	24" Gallery Shelf	442	530
		2819RT-12	12" Gallery Shelf with Towel Bar	419	NA
		2819RT-24	24" Gallery Shelf with Towel Bar	491	NA

shower shelves				PC	SN
		28500	Shower Shelf - Soap Holder	337	405
		28502	12" Shower Shelf	499	599

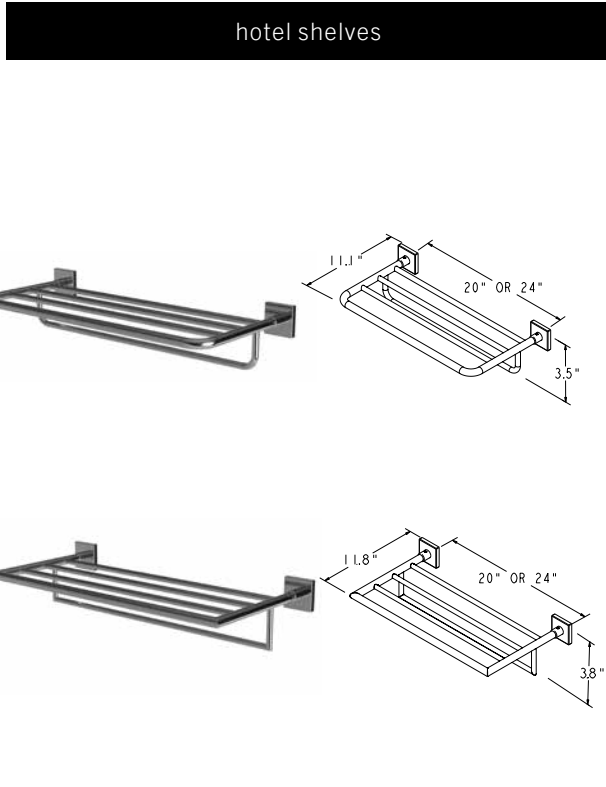
# SURFACE

shower shelves		item	description	PC	SN
		28501	14" Combination Shower Shelf	770	924
		28505	Corner Shower Shelf	731	876
		28504R	Combination Corner Shower Shelf, Right	738	883
		28504L	Combination Corner Shower Shelf, Left	738	883

grab bars			PC	SN
		<b>HOW TO ORDER:</b>	<b>STEP 1:</b> Select Decorative Rings and Mounting Kit <b>STEP 2:</b> Select Grab Bar Tube	
		<b>STEP 1:</b>		
2040-2400	Decorative Rings and Mounting Kit		220	230
<b>STEP 2:</b>				
5080SQ	12" Grab Bar Tube		181	215
5081SQ	16" Grab Bar Tube		221	297
5082SQ	18" Grab Bar Tube		244	299
5083SQ	24" Grab Bar Tube		283	340
5085SQ	36" Grab Bar Tube		369	462

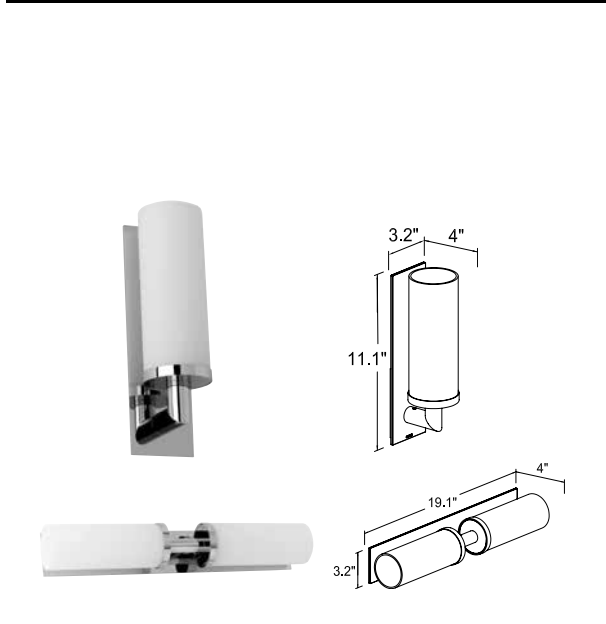
		2040-3942	42" Grab Bar**	691	933
** Sold as a complete unit					
 Grab bars are ADA Compliant					

# SURFACE



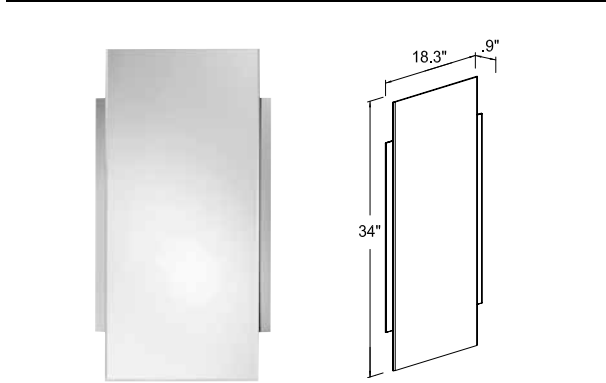
## hotel shelves

item	description	PC	SN
IMPORTANT: Order (1) Mounting Kit plus (1) Frame to make a complete unit.			
524B	Hotel Shelf Mounting Kit	124	148
XX43-20	20" Hotel Shelf Frame with Towel Bar	306	366
XX43-24	24" Hotel Shelf Frame with Towel Bar	326	387
XX43S-20	20" Hotel Shelf Frame w/Towel Bar Squared Corners	384	463
XX43S-24	24" Hotel Shelf Frame w/Towel Bar Squared Corners	415	497




## lights

		PC	SN
IMPORTANT: The backplate on these lights is not of standard size. Provide the following information to your electrician and wall finisher for proper installation.			
Surface single light is designed to be mounted onto a standard vertically installed switch box. Maximum width of finished opening should be less than 2 -1/2". Surface double light mounts onto a horizontally installed switch box. Maximum height of finished opening should be less than 2 -1/2".			
The Surface Single lights can be installed with the shade facing upward or downward.			
2881	Single Light	570	683
3681-G-0	Replacement Glass Shade Satin Etched, Cased Opal Note finish when ordering (i.e. 3681-G-0/PC)	134	172
The Surface Double lights can be installed vertically or horizontally.			
2882	Double Light	675	812



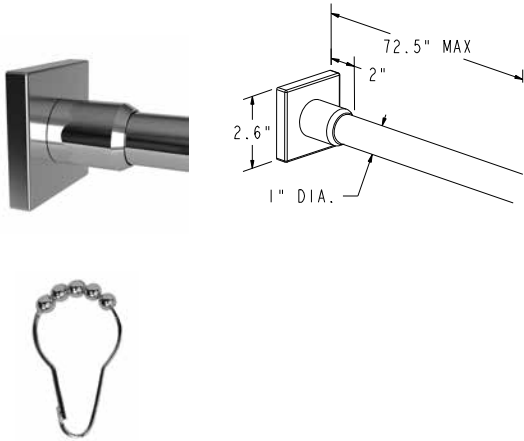
## mirror

		PC	SN
Tilting mechanism may be used w/framed mirror.			
2841	Mirror 18.26" x 34" Overall 16" x 34" Glass Only	587	689
MTM-009	Tilt Mechanism, Optional**	88	88
	**Mirror tilts 4.5° with mechanism.		

# SURFACE

## straight shower rods

PC SN



IMPORTANT: Order (1) Bracket Pair plus (1) Rod to make a complete unit. 6' Straight Rods should be trimmed for use in smaller openings.

1139R-6	6' Shower Curtain Rod	186	225
5239B	Shower Rod Brackets Only Pair	146	175
1139SR	Shower Curtain Rings Set of 12	59	75

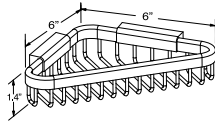
## notes

- 1) Lights are UL listed for damp locations and ADA compliant. Glass Shade is satin etched cased opal. Bulbs are A19 incandescent, 100 watt maximum.
- 2) Toiletry Shelves: Glass is tempered.
- 3) Mirrors: Glass is beveled.
- 4) Straight Shower Rods: with lacquered finishes are likely to scratch from abrasion caused by sliding curtain rings. This item is not covered by GINGER'S product warranty.

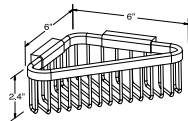
# BASKETS



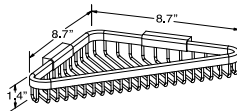
## corner baskets



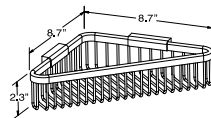
Hotelier



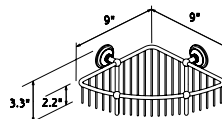
Hotelier



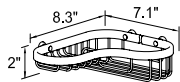
Hotelier



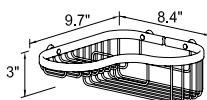
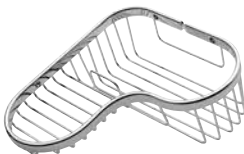
Hotelier



London Terrace



Splashables

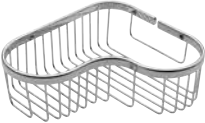
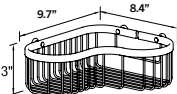

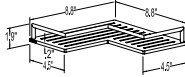
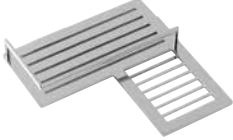
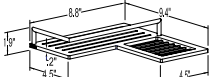



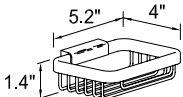

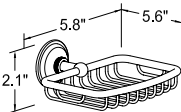

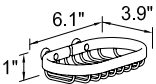

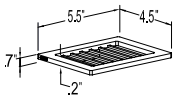
Splashables

item	description	list
------	-------------	------

553G/MB	Matte Black	115
553G/PC	Polished Chrome	99
553G/PN	Polished Nickel	115
553G/SN	Satin Nickel	115
553DG/MB	Matte Black	119
553DG/PC	Polished Chrome	101
553DG/SN	Satin Nickel	119
554G/PC	Polished Chrome	135
554G/SN	Satin Nickel	160
554DG/MB	Matte Black	184
554DG/PC	Polished Chrome	155
554DG/PN	Polished Nickel	184
554DG/SN	Satin Nickel	184
26554/PC	Polished Chrome	340
26554/PN	Polished Nickel	407
26554/SN	Satin Nickel	407
G504/PC	Polished Chrome	329
G504/PN	Polished Nickel	365
G504/SN	Satin Nickel	365
504L/PC	Polished Chrome	357
504L/PN	Polished Nickel	432
504L/SN	Satin Nickel	432

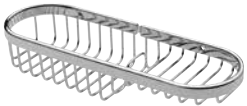
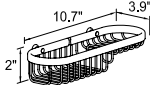

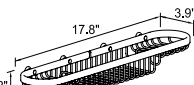

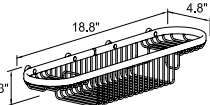
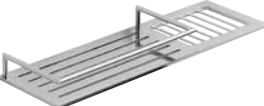
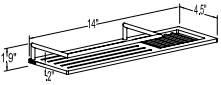
# BASKETS

corner baskets		item	description	list
		505L/PC	Polished Chrome	357
	Splashables	505L/PN	Polished Nickel	432
		505L/SN	Satin Nickel	432
		28505/PC	Polished Chrome	731
	Surface	28505/SN	Satin Nickel	876
		28504R/PC	Polished Chrome	738
	28504R Shown	28504R/SN	Satin Nickel	883
		28504L/PC	Polished Chrome	738
		28504L/SN	Satin Nickel	883


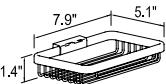

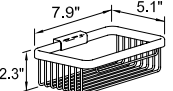
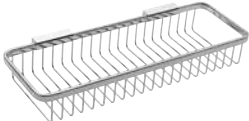
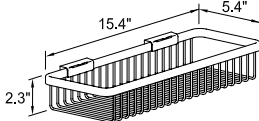
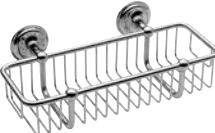
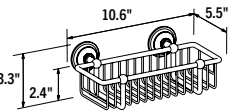
soap baskets		item	description	list
		550G/MB	Matte Black	98
	Hotelier	550G/PC	Polished Chrome	81
		550G/PN	Polished Nickel	98
		550G/SN	Satin Nickel	98
		26550/PC	Polished Chrome	197
	London Terrace	26550/PN	Polished Nickel	236
		26550/SN	Satin Nickel	236
		G500/PC	Polished Chrome	160
	Splashables	G500/PN	Polished Nickel	207
		G500/SN	Satin Nickel	207
		28500/PC	Polished Chrome	337
	Surface	28500/SN	Satin Nickel	405

# BASKETS



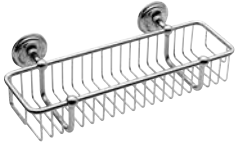
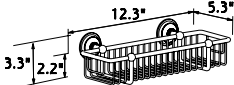
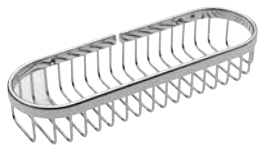
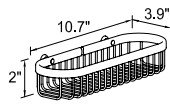

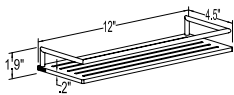
combination baskets	
	 Splashables
	 Splashables
	 Splashables
	 Surface

item	description	list
501/PC	Polished Chrome	184
501/PN	Polished Nickel	252
501/SN	Satin Nickel	252
503/PC	Polished Chrome	293
503/PN	Polished Nickel	414
503/SN	Satin Nickel	414
503L/PC	Polished Chrome	329
503L/PN	Polished Nickel	423
503L/SN	Satin Nickel	423
28501/PC	Polished Chrome	770
28501/SN	Satin Nickel	924


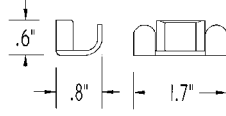
long baskets	
	 Hotelier
	 Hotelier
	 Hotelier
	 London Terrace

item	description	list
551G/PC	Polished Chrome	102
551G/SN	Satin Nickel	124
551DG/PC	Polished Chrome	113
551DG/SN	Satin Nickel	139
552G/PC	Polished Chrome	195
552G/PN	Polished Nickel	233
552G/SN	Satin Nickel	233
26551/PC	Polished Chrome	322
26551/PN	Polished Nickel	382
26551/SN	Satin Nickel	382

# BASKETS

long baskets		item	description	list
  <p>London Terrace</p>	26552/PC	Polished Chrome	402	
	26552/PN	Polished Nickel	481	
	26552/SN	Satin Nickel	481	
  <p>Splashables</p>	G502/PC	Polished Chrome	184	
	G502/PN	Polished Nickel	252	
	G502/SN	Satin Nickel	252	
  <p>Surface</p>	28502/PC	Polished Chrome	499	
	28502/SN	Satin Nickel	599	

razor hook	item	description	list
------------	------	-------------	------

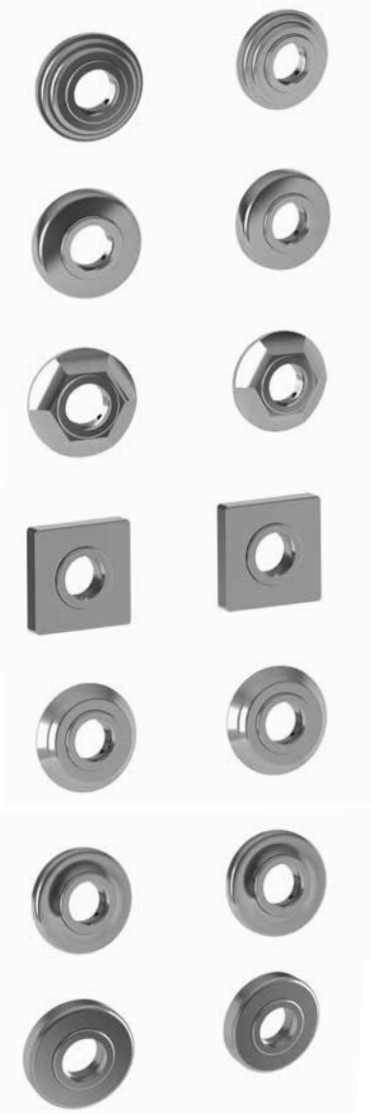
 	599/PC	Polished Chrome	45
	599/PN	Polished Nickel	66
	599/SN	Satin Nickel	66
<p>Can be used on Splashables only, except soap basket G500. Does NOT work with Hotelier, London Terrace or Surface Baskets/Shelves.</p> <p>Razor hooks must be used in conjunction with basket. Razor hooks cannot be installed directly on the wall.</p>			





grab bars - step 1

PC MB, PN  
SN



### HOW TO ORDER:

**STEP 1:** Select Decorative Rings and Mounting Kit

**STEP 2:** Select Grab Bar Tube Size & Style

920-2400*	Decorative Rings and Mounting Kit Matches Chelsea & Columnar Series	160	218
990-2400*	Decorative Rings and Mounting Kit Matches Hotelier Series	160	218
1200-2400*	Decorative Rings and Mounting Kit Matches Empire Series	160	218
2040-2400*	Decorative Rings and Mounting Kit Matches Dyad & Lineal Series	220	230
2400-2400*	Decorative Rings and Mounting Kit Matches Garnsey Series	259	383
2440-2400*	Decorative Rings and Mounting Kit Matches Pavin Series	259	383
2480-2400	Decorative Rings and Mounting Kit Matches Kubic Series	206	230

grab bars - step 2

PC MB, PN  
SN



**STEP 2:**

5080*	12" Grab Bar Tube	140	206
5081*	16" Grab Bar Tube	166	233
5082*	18" Grab Bar Tube	187	260
5083*	24" Grab Bar Tube	224	301
5085*	36" Grab Bar Tube	330	410
5080SQ	12" Grab Bar Tube	181	215
5081SQ	16" Grab Bar Tube	221	297
5082SQ	18" Grab Bar Tube	244	299
5083SQ	24" Grab Bar Tube	283	340
5085SQ	36" Grab Bar Tube	369	462

\*Not available in MB finish

# GRAB BARS

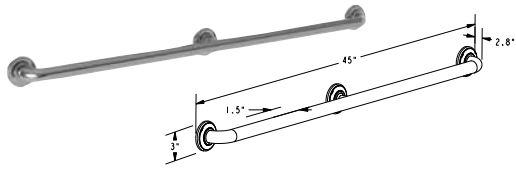
chelsea & columnar	item	description	PC	PN SN
	920-3942	42" Grab Bar	599	781
empire			PC	PN SN
	1200-3942	42" Grab Bar	599	781
garnsey			PC	PN SN
	2400-3942	42" Grab Bar	691	933
hotelier			PC	PN SN
	990-3942	42" Grab Bar	599	781
kubic			PC	MB PN, SN
	2480-3942	42" Grab Bar	691	933
lineal			PC	PN SN
	2040-3942	42" Grab Bar	691	933

# GRAB BARS



pavin

PC PN  
SN

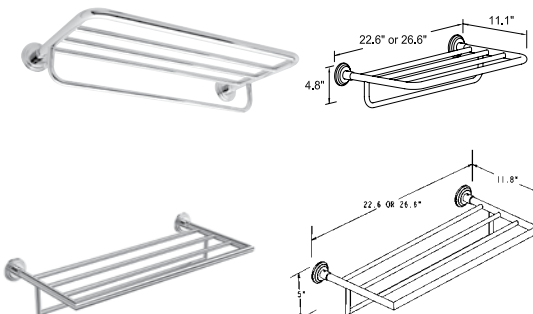
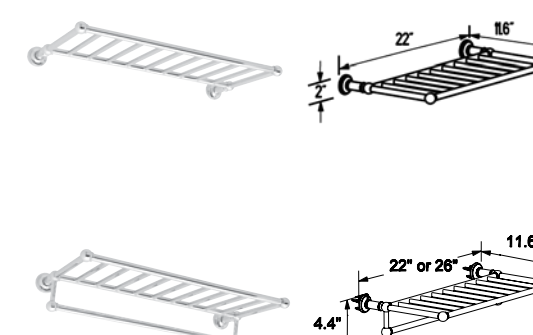
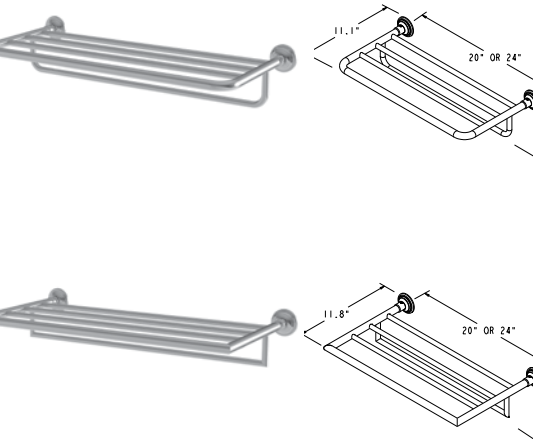


2440-3942 42" Grab Bar

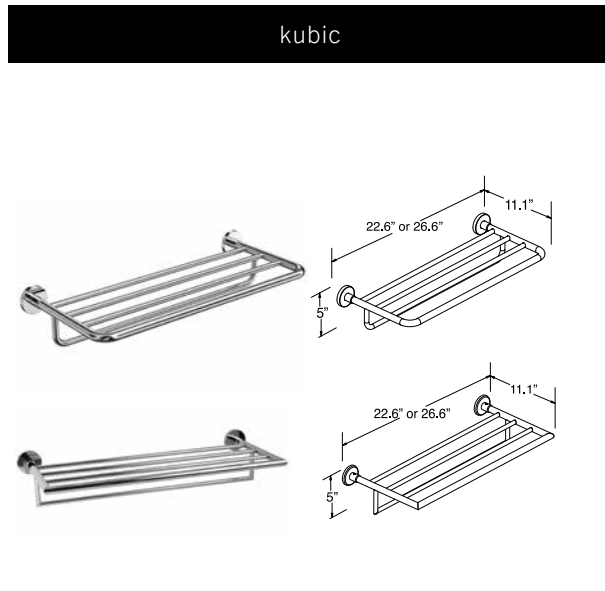
691 933



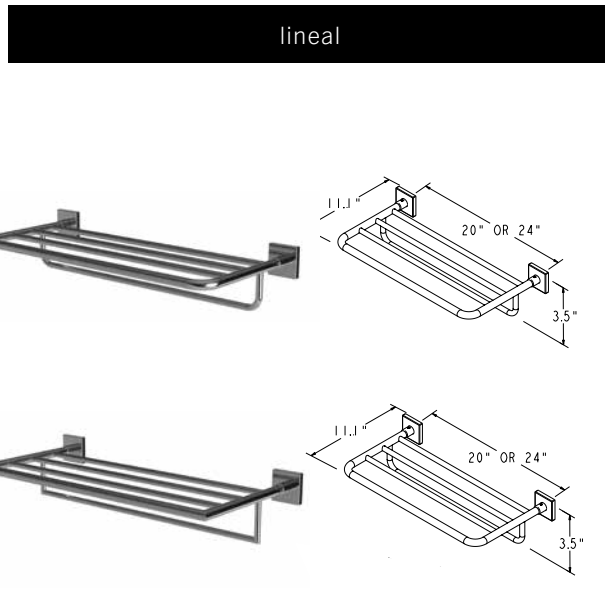
# HOTEL SHELVES

chelsea		item	description	PC	PN SN
 <p>Technical drawings for Chelsea Hotel Shelf. The top row shows a perspective view of the mounting kit and a side view with dimensions: 22.6" or 26.6" length, 11.1" height, and 4.8" depth. The bottom row shows a perspective view of the shelf frame and a side view with dimensions: 22.6 or 26.6" length, 11.8" height, and 4.8" depth.</p>		<p>IMPORTANT: Order (1) Mounting Kit plus (1) Frame to make a complete unit.</p>			
		114B	Hotel Shelf Mounting Kit	137	164
		XX43-20	20" Hotel Shelf Frame with Towel Bar	306	366
		XX43-24	24" Hotel Shelf Frame with Towel Bar	326	387
		XX43S-20	20" Hotel Shelf Frame with Towel Bar, Squared Corners	384	463
		XX43S-24	24" Hotel Shelf Frame with Towel Bar, Squared Corners	415	497
columnar				PC	PN SN
 <p>Technical drawings for Columnar Hotel Shelf. The top row shows a perspective view of the shelf and a side view with dimensions: 22" length, 11.6" height, and 4.4" depth. The bottom row shows a perspective view of the shelf with a towel bar and a side view with dimensions: 22" or 26" length, 11.6" height, and 4.4" depth.</p>		4540-20	20" Hotel Shelf	643	772
		4543-20	20" Hotel Shelf w/ Towel Bar	775	931
		4543-24	24" Hotel Shelf w/ Towel Bar	852	1,024
garnsey				PC	PN SN
 <p>Technical drawings for Garnsey Hotel Shelf. The top row shows a perspective view of the mounting kit and a side view with dimensions: 11.1" height, 20" or 24" length, and 3.5" depth. The bottom row shows a perspective view of the shelf frame and a side view with dimensions: 11.8" height, 20" or 24" length, and 3.8" depth.</p>		<p>IMPORTANT: Order (1) Mounting Kit plus (1) Frame to make a complete unit.</p>			
		544B	Hotel Shelf Mounting Kit	137	164
		XX43-20	20" Hotel Shelf Frame with Towel Bar	306	366
		XX43-24	24" Hotel Shelf Frame with Towel Bar	326	387
		XX43S-20	20" Hotel Shelf Frame with Towel Bar Squared Corners	384	463
		XX43S-24	24" Hotel Shelf Frame with Towel Bar Squared Corners	415	497

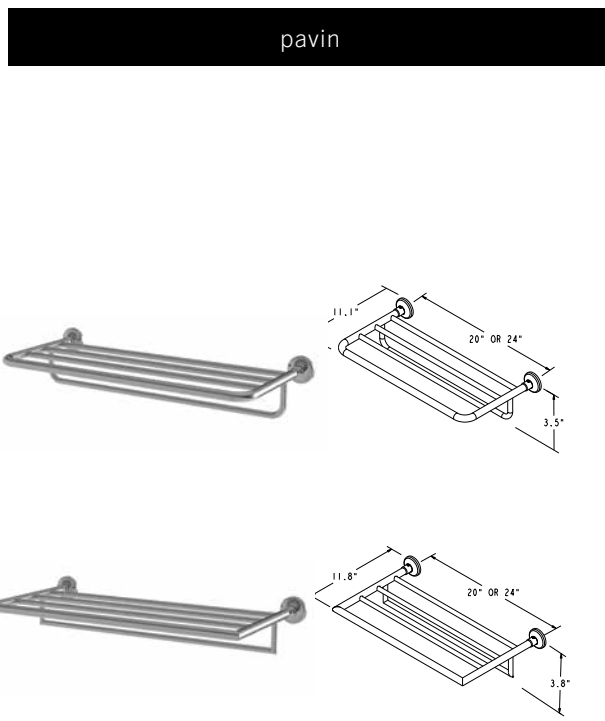
# HOTEL SHELVES



item	description	PC	MB PN, SN
IMPORTANT: Order (1) Mounting Kit plus (1) Frame to make a complete unit.			
464B	Hotel Shelf Mounting Kit	128	155
XX43-20	20" Hotel Shelf Frame with Towel Bar	306	366
XX43-24	24" Hotel Shelf Frame with Towel Bar	326	387
XX43S-20	20" Hotel Shelf Frame with Towel Bar Squared Corners	384	463
XX43S-24	24" Hotel Shelf Frame with Towel Bar Squared Corners	415	497


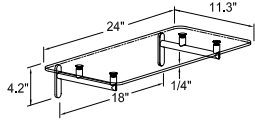

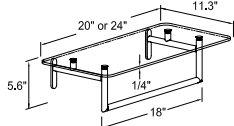


		PC	PN SN
IMPORTANT: Order (1) Mounting Kit plus (1) Frame to make a complete unit.			
524B	Hotel Shelf Mounting Kit	124	148
XX43-20	20" Hotel Shelf Frame with Towel Bar	306	366
XX43-24	24" Hotel Shelf Frame with Towel Bar	326	387
XX43S-20	20" Hotel Shelf Frame w/Towel Bar Squared Corners	384	463
XX43S-24	24" Hotel Shelf Frame w/Towel Bar Squared Corners	415	497


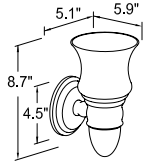

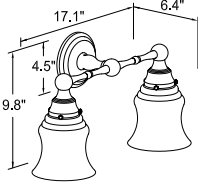

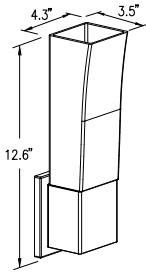

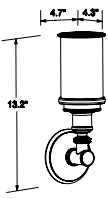

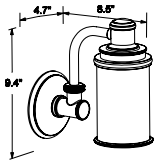


		PC	PN SN
IMPORTANT: Order (1) Mounting Kit plus (1) Frame to make a complete unit.			
564B	Hotel Shelf Mounting Kit	137	164
XX43-20	20" Hotel Shelf Frame with Towel Bar	306	366
XX43-24	24" Hotel Shelf Frame with Towel Bar	326	387
XX43S-20	20" Hotel Shelf Frame w/Towel Bar Squared Corners	384	463
XX43S-24	24" Hotel Shelf Frame w/Towel Bar Squared Corners	415	497

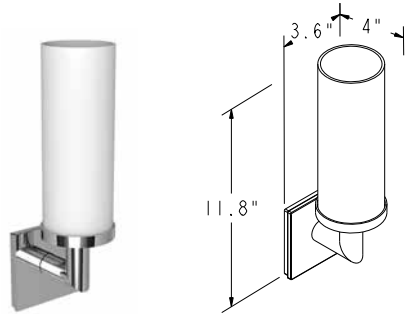

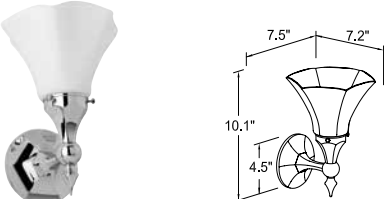
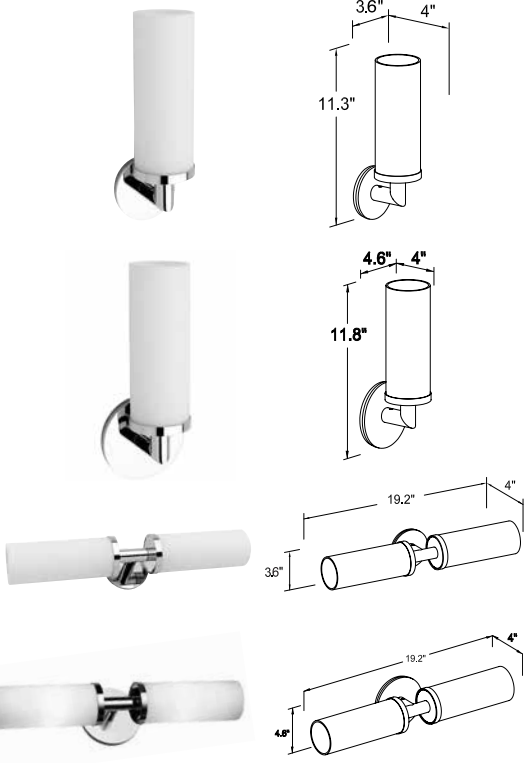

# HOTEL SHELVES

size		item	description	PC	SN
 	0240-24	24" Hotel Shelf	413	484	
 	0243-24	24" Hotel Shelf with Towel Bar	512	591	

# LIGHTS

chelsea		item	description	PC	PN SN
 		1181	Single Light with Nightlight Option Satin Etch Glass	429	513
 		1182	Double Light Satin Etched Glass	655	765
		1181-TG-E	Replacement Top Glass Shade, Satin Etched	119	
		1181-BG-E	Replacement Bottom Glass Shade, Satin Etched	77	
cinu					
 		<p>IMPORTANT: Light use compact fluorescent bulb with a G24Q-2 base. 18-watt, 4-pin G24Q2, 2700K warm white color bulb included.</p>			
		4781	Single Light Satin Etched, Cased Opal Glass	459	529
		40409	Replacement Light Shade	192	192
columnar					
 		<p>IMPORTANT: These lights are compact fluorescent bulbs with a GU24 socket. Incandescent bulbs can not be used with these lights. Bulb(s) include with initial purchase.</p>			
 		4581-1	Single Light Satin Etched Glass	651	778
		4581	Single Pivoting Light Satin Etched Glass	681	819
		4581-G-E	Replacement Glass Shade	186	195

# LIGHTS

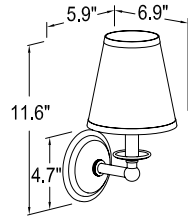
dyad	item	description	PC	PN SN
	<p>IMPORTANT: The backplate on the Dyad Light 5381 is not of standard size. Provide the following information to your electrician and wall finisher for proper installation.</p> <p>The Dyad Light 5381 is designed to mount onto a raised cover plate (also called a round plaster ring or a round raised mud ring) attached to an electrical box in the pre-drywall stage. Use two no. 8 tapped holes on 2 3/4" centers. Maximum area of finished wall opening that will be covered by the Dyad Light 5381 backplate is 3 5/8" x 3 5/8".</p>	<p>5381 Single Light** 447 539</p> <p>3681-G-O Replacement Glass Shade, Satin Etched, Cased Opal. Note finish when ordering (i.e. 3681-G-O/PC) 134 172</p> <p> **ADA Compliant</p>		
<h3>empire</h3>		<p>PC PN SN</p>		
	<p>IMPORTANT: Empire single and double light may also be installed with the shade facing upward or downward.</p>	<p>682SO Single Light Satin Opal Glass 435 521</p> <p>682-G-SO Replacement Glass Shade, Satin Opal 132 132</p>		
<h3>kubic</h3>		<p>PC MB PN, SN</p>		
	<p>IMPORTANT: The backplate on the 4681 and 4682 lights is not of standard size. Provide the following information to your electrician and wall finisher for proper installation.</p> <p>The 4681 and 4682 Kubic Lights are designed to mount onto a raised cover plate (also called a round plaster ring or a round raised mud ring) attached to an electrical box in the pre-drywall stage. Use two no. 8 tapped holes on 2-3/4" centers. Maximum diameter of finished wall opening that will be covered by the Kubic light backplate is 3-5/8".</p> <p>The 4681L and 4682L lights have a larger rosette that covers a standard 1 GANG US junction box. The Kubic Single lights can be installed with the shade facing upward or downward.</p> <p>The Kubic Double lights can be installed horizontally or vertically.</p>	<p>4681 Single Light, 3.6" <math>\varnothing</math> Rosette** 466 561</p> <p>DWRR Raised Cover Plate for 4681 or 4682 13 13</p> <p>4681L Single Light, 4.6" <math>\varnothing</math> Rosette** 483 580</p> <p>4682 Double Light, 3.6" <math>\varnothing</math> Rosette** 532 638</p> <p>DWRR Raised Cover Plate for 4681 or 4682 13 13</p> <p>4682L Double Light, 4.6" <math>\varnothing</math> Rosette** 549 662</p> <p>3681-G-O Replacement Glass Shade, Satin Etched, Cased Opal Note finish when ordering (i.e. 3681-G-O/PC) 134 172</p> <p> **ADA Compliant</p>		



# LIGHTS



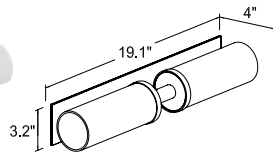
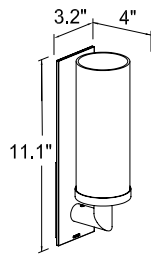
## london terrace



item	description	PC	PN SN
------	-------------	----	----------

2681	Single Light White Fabric Shade	239	281
2681-TS	Replacement Fabric Shade	77	77

## surface



		PC	SN
--	--	----	----

**IMPORTANT:** The backplate on these lights are not of standard size. Provide the following information to your electrician and wall finisher for proper installation. Surface single light is designed to be mounted onto a standard vertically installed switch box. Maximum width of finished opening should be less than 2-1/2". Surface double light mounts onto a horizontally installed switch box. Maximum height of finished opening should be less than 2-1/2".

2881	Single Light**	570	683
3681-G-O	Replacement Glass Shade, Satin Etched, Cased Opal Note finish when ordering (i.e. 3681-G-O/PC)	134	172

The Surface Double lights can be installed horizontally or vertically.

2882	Double Light**	675	812
------	----------------	-----	-----



\*\*ADA compliant

All lights are UL listed for damp locations.

#### Chelsea

Bulbs: Top: A15 or A19 incandescent, 100 watt (2x100 for Double Light).  
Bottom: C7, 7 watt maximum.

#### Cinu

Bulb uses an 18-watt, 4-pin (G24Q-2) base compact fluorescent lamp.  
Important: Light uses compact fluorescent bulb with a G24Q-2 base.  
18-watt, 4-pin G24Q2, 2700K warm white color bulb included.

#### Columnar

Lights are UL listed for damp locations. Glass shades are satin etched.  
Bulbs are compact fluorescent, GU24 socket, bulb(s) included with initial purchase.

#### Dyad

ADA compliant

Shade: Satin Etched Cased Opal

Bulbs: A19 incandescent, 100 watt maximum (2x100 for Double Light).  
See special installation notes under Dyad light in this section.

#### Empire

ADA compliant

682 Glass Shade: Satin Opal.

Bulbs: A15 or A19 incandescent, 100 watt maximum.

#### Kubic

ADA compliant

Shade: Satin Etched Cased Opal

Bulbs: A19 incandescent, 100 watt maximum (2x100 for Double Light).  
See special installation notes under Kubic light in this section.

#### London Terrace

Shade: White Fabric Shade

Bulbs: E12 "candelabra" base incandescent, 60 watt max or E12 "candelabra" base fluorescent.

#### Surface

ADA compliant.


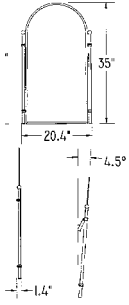


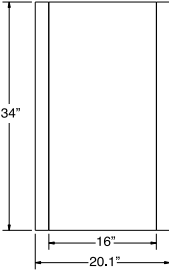


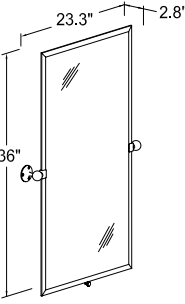

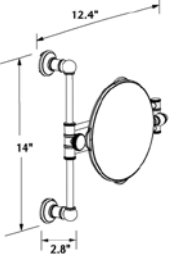
Glass Shade: Satin Etched Cased Opal

Bulbs: A19 incandescent, 100 watt maximum.

Installation Note: Many GINGER lights provide you with a convenient and safety-conscious nightlight option. Exceptions are Chelsea double, Cinu, Columnar, Dyad, Empire, Kubic, London Terrace and Surface. For separate main light and nightlight operation, installer must provide two individually switched "hot" lines to light fixture. Use of double rocker switch is recommended. Complete installation instructions are provided with each GINGER light. All fixtures except the Cinu light may be installed with the main shade facing upward or downward.

# MIRRORS



chelsea		item	description	PC	PN SN
 			Tilting mechanism may be used with framed or frameless mirror.		
		1141	Framed Mirror 20.39" x 35" Overall 18" x 35" Glass Only	748	859
		MTM-009	Tilting Mechanism, Optional**	88	88
		 **Mirror tilts 4.5° with mechanism.			
cinu				PC	PN SN
 			Tilting mechanism may be used with framed mirror.		
		4741	Framed Mirror 20.04" x 34" Overall 16" x 34" Glass Only	810	966
		MTM-009	Tilting Mechanism, Optional**	88	88
		 **Mirror tilts 4.5° with mechanism.			
city 212				PC	PN SN
 					
		0142N	Frameless Pivoting Mirror 24.42" x 36.58" Overall 20" x 36" Glass Only	441	530
columnar				PC	PN SN
 					
		4544	Pivoting Vanity Mirror on Slide Bar	710	852

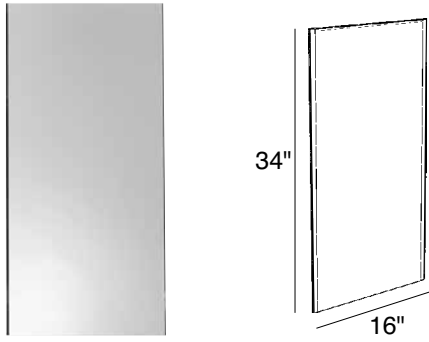
# MIRRORS

columnar	item	description	PC	PN SN
	4542	Frameless Pivoting Mirror 23.50" x 36.57" Overall 20" x 36.57" Glass Only	665	798
empire	PC PN SN			
	642	Framed Mirror 26.40" x 36" Overall 24" x 36" Glass Only	774	931
	MTM-009	Tilting Mechanism, Optional**	88	88
	 **Mirror tilts 4.5° with mechanism.			
frame	PC SN			
	3041	Framed Mirror 20.56" x 34.56" Overall	679	767
garnsey	PC PN SN			
	5442	Frameless Pivoting Mirror 24.53" x 36.58" Overall 20" x 36" Glass Only	663	746

# MIRRORS

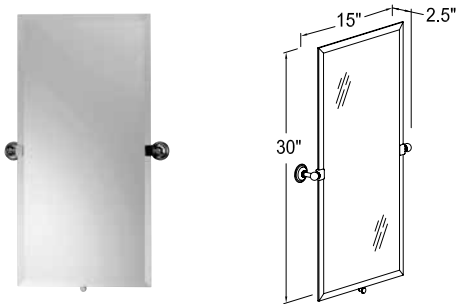


kubic	item	description	NO FINISH	
-------	------	-------------	-----------	--

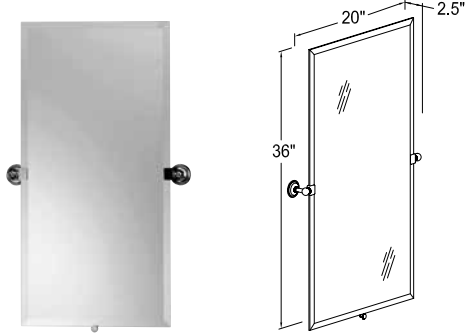


4641N Frameless Mirror  
16" x 34" Overall 412

london terrace			PC	PN SN
----------------	--	--	----	----------

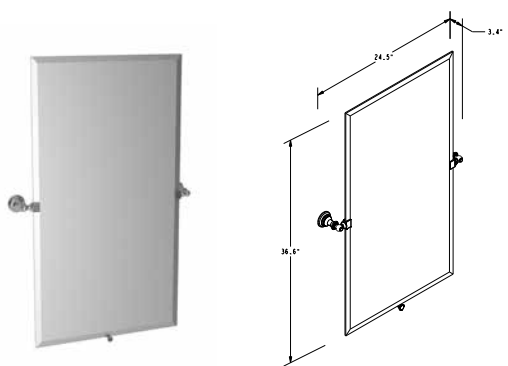


2641 Frameless Pivoting Mirror  
18.63" x 30.65" Overall  
15" x 30" Glass Only 452 519



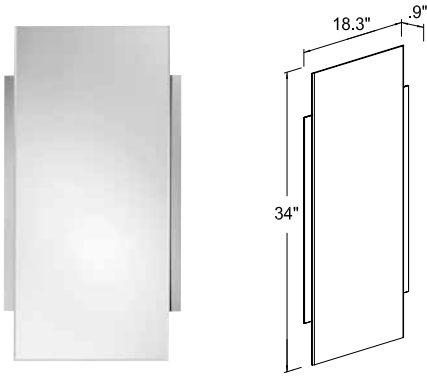

2642 Frameless Pivoting Mirror  
23.60" x 36.65" Overall  
20" x 36" Glass Only 485 554

pavin			PC	PN SN
-------	--	--	----	----------



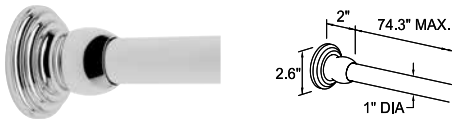
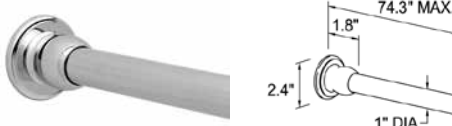
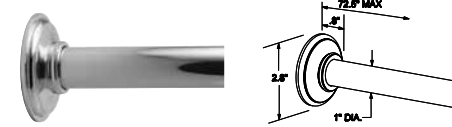
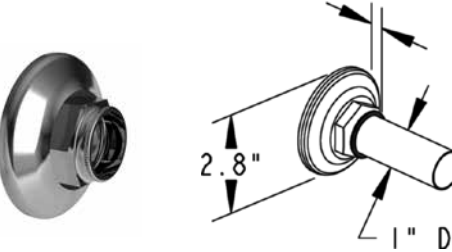
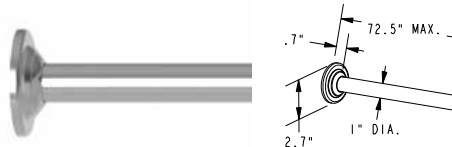
5642 Frameless Pivoting Mirror  
24.50" x 36.58" Overall  
20" x 36" Glass Only 663 777

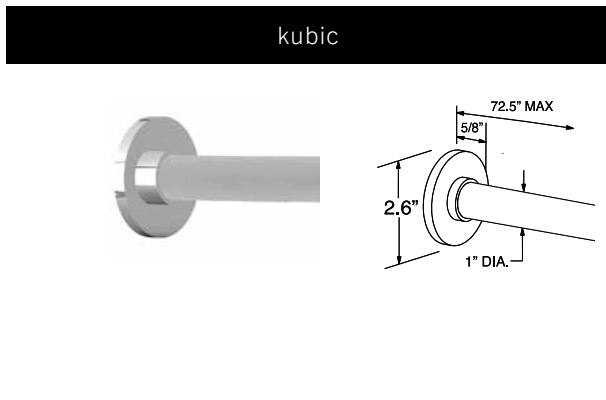
# MIRRORS

surface	item	description	PC	SN
	<p>Tilting mechanism may be used w/framed mirror.</p> <p>2841 Mirror 18.26" x 34" Overall 16" x 34" Glass Only</p> <p>MTM-009 Tilting Mechanism, Optional**</p> <p> **Mirror tilts 4.5° with mechanism.</p>	<p>587</p> <p>88</p>	<p>689</p> <p>88</p>	
notes	<p>1) Claims for damages must be made within 14 days. See pg. 470, section 4.</p> <p>2) Mirrors: Glass is beveled.</p>			

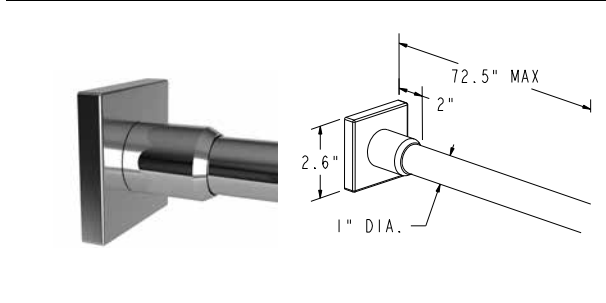
# SHOWER RODS



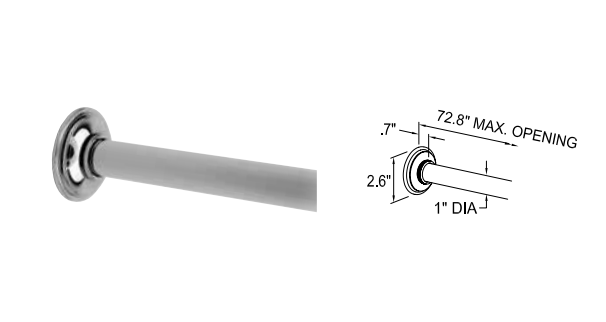
chelsea		item	description	PC	PN SN
		<p>IMPORTANT: Order (1) Bracket Pair plus (1) Rod to make a complete unit. 6' Rod should be trimmed for use in smaller openings.</p>			
		1139R-6	6' Shower Curtain Rod	186	225
		1139B	Shower Rod Brackets Only Pair	146	175
circe				PC	PN SN
		<p>IMPORTANT: Order (1) Bracket Pair plus (1) Rod to make a complete unit. 6' Rod should be trimmed for use in smaller openings.</p>			
		1139R-6	6' Shower Curtain Rod	186	225
		2739B	Shower Rod Brackets Only Pair	146	175
columnar				PC	PN SN
		<p>IMPORTANT: Order (1) Bracket Pair plus (1) Rod to make a complete unit. 6' Rod should be trimmed for use in smaller openings.</p>			
		1139R-6	6' Shower Curtain Rod	186	225
		4539B	Shower Rod Brackets Only Pair	146	175
eavon				PC	PN SN
		<p>IMPORTANT: Order (1) Bracket Pair plus (1) Rod to make a complete unit. 6' Straight Rods should be trimmed for use in smaller openings.</p>			
		1139R-6	6' Shower Curtain Rod	186	225
		4839B	Shower Rod Brackets Only, Pair	146	175
garnsey				PC	PN SN
		<p>IMPORTANT: Order (1) Bracket Pair plus (1) Rod to make a complete unit. 6' Straight Rods should be trimmed for use in smaller openings.</p>			
		1139R-6	6' Shower Curtain Rod	186	225
		5439B	Shower Rod Brackets Only Pair	146	175



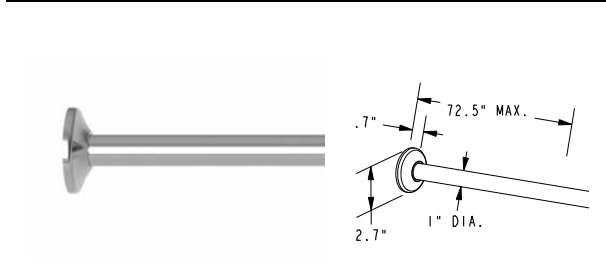
lineal



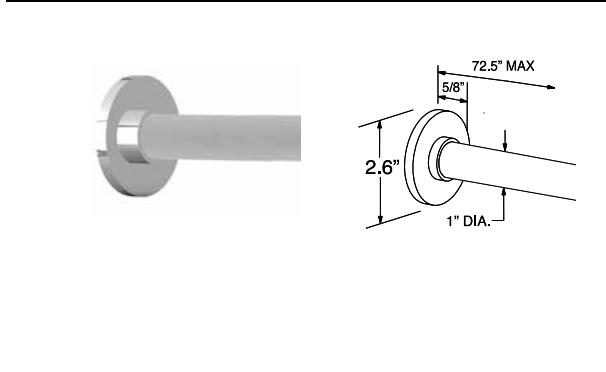
london terrace



pavin



sine



item	description	PC	PN SN
IMPORTANT: Order (1) Bracket Pair plus (1) Rod to make a complete unit. 6' Rod should be trimmed for use in smaller openings.			
1139R-6	6' Shower Curtain Rod†	186	225
4639B	Shower Rod Brackets Only Pair†	91	110
<b>†Not available in MB</b>			

		PC	PN SN
--	--	----	----------

IMPORTANT: Order (1) Bracket Pair plus (1) Rod to make a complete unit. 6' Straight Rods should be trimmed for use in smaller openings.			
1139R-6	6' Shower Curtain Rod	186	225
5239B	Shower Rod Brackets Only Pair	146	175

		PC	PN SN
--	--	----	----------

IMPORTANT: Order (1) Bracket Pair plus (1) Rod to make a complete unit. 6' Rod should be trimmed for use in smaller openings.			
1139R-6	6' Shower Curtain Rod	186	225
2639B	Shower Rod Brackets Only Pair	101	124

		PC	PN SN
--	--	----	----------

IMPORTANT: Order (1) Bracket Pair plus (1) Rod to make a complete unit. 6' Rod should be trimmed for use in smaller openings.			
1139R-6	6' Shower Curtain Rod	186	225
5639B	Shower Rod Brackets Only Pair	146	175


		PC	SN
--	--	----	----

IMPORTANT: Order (1) Bracket Pair plus (1) Rod to make a complete unit. 6' Rod should be trimmed for use in smaller openings.			
1139R-6	6' Shower Curtain Rod	186	225
4639B	Shower Rod Brackets Only Pair	91	110



# SHOWER RODS



shower rings	item	description	PC	SN
	1139SR	Shower Curtain Rings Set of 12	59	75
notes				

1) Straight Shower Rods that are lacquered finished are likely to scratch from abrasion caused by sliding curtain rings. This item is not covered by GINGER's product warranty.

# REPLACEMENT PARTS



GINGER

# REPLACEMENT PARTS



cayden item	replacement part	description	GRP 1	GRP 2	GRP 3
4917	45XX	Mounting Bracket	19	NA	
4917	1-206	Mounting Hardware Pack, 4917 only	8	NA	
Accessories	6XXB	Mounting Bracket	9	NA	NA
Accessories	8-1.2CPZ	Screw for Mounting Bracket	1	NA	
Accessories	91165	Wall Anchor, Tile	1	NA	
Accessories	91460	Wall Anchor, Drywall	1	NA	
Accessories	92031	Set Screw	1	NA	
Accessories	10615	Hex Key	1	NA	
chelsea item	replacement part	description	GRP 1	GRP 2	GRP 3
1102	1152	5/8" A x 18" Bar	67	79	0
1103	1153	5/8" A x 24" Bar	83	99	0
1110	1100B	Rosette for 1110 Robe Hook Only	26	29	0
1110	11XXB	Wall Mounting Bracket, 1110 Only	9	NA	NA
1110	1-206	Mounting Hardware Pack, 1110 only	8	NA	NA
1114	XX14-DSP-FW	Replacement Glass Bottle, Frosted	83	NA	NA
1114	XX14-PMP	Replacement Pump	97	111	0
1108N, 1108D	1108TN	Replacement Roller	71	83	0
1118T-18	1418-18TSCL	Replacement 18" Shelf Glass	110	NA	NA
1135T-24	1135-24TSCL	Replacement 24" Gallery Shelf Glass	194	NA	NA
Accessories	1100C	Chelsea Rosette	40	47	0
Accessories	11XXD	Wall Mounting Bracket	21	NA	NA
Accessories	8-1.2CPZ	Screw for Mounting Bracket	1	NA	NA
Accessories	91165	Wall Anchor, Tile	1	NA	NA
Accessories	91460	Wall Anchor, Drywall	1	NA	NA
Accessories	CHELPAC	Mounting Hardware Pack	94	NA	NA
Accessories	92308	Set Screw	2	NA	NA
Accessories	10888	Hex Key	1	NA	NA
Hotel Shelves	10615	Hex Key	1	NA	NA
Accessories	CHELPAC	Mounting Hardware Pack	87	NA	NA
Accessories	92308	Set Screw	2	NA	NA
Accessories	10888	Hex Key	1	NA	NA
Hotel Shelves	10615	Hex Key	1	NA	NA
cinu item	replacement part	description	GRP 1	GRP 2	GRP 3
Accessories	1-206	Hardware Pack	8	NA	NA
Accessories	92437	Mounting Bracket	5	NA	NA
Accessories	92495	Set Screw	1	NA	NA
Accessories	92422	Hex Key	1	NA	NA

circe item	replacement part	description	GRP 1	GRP 2	GRP 3
Accessories	2700	Circe Rosette	43	50	NA
Accessories	07XX	Mounting Bracket	9	NA	NA
Accessories	8-1.2CPZ	Screw for Mounting Bracket	1	NA	NA
Accessories	91165	Wall Anchor, Tile	1	NA	NA
Accessories	91460	Wall Anchor, Drywall	1	NA	NA
Accessories	92308	Set Screw	2	NA	NA
Accessories	10888	Hex Key	1	NA	NA
columnar item	replacement part	description	GRP 1	GRP 2	GRP 3
4508N, 4527, 4528	1108TN	Replacement Roller	71	83	NA
Accessories	45XX	Mounting Bracket	19	NA	NA
Accessories	1-206	Mounting Hardware Pack	8	NA	NA
Accessories	92308	Set Screw	2	NA	NA
Accessories	10888	Hex Key	1	NA	NA
dyad item	replacement part	description	GRP 1	GRP 2	GRP 3
5327	2808T	Replacement Roller	74	83	NA
Single Post Accessories	SINEPAC-SINGLE	Mounting Hardware Pack (Single Post)	24	NA	NA
Double Post Accessories	SINEPAC-DOUBLE	Mounting Hardware Pack (Double Post)	38	NA	NA
Accessories	02XXG	Mounting Bracket	5	NA	NA
Accessories	1-206	Mounting Hardware Pack	8	NA	NA
Accessories	92031	Set Screw	1	NA	NA
Accessories	10615	Hex Key	1	NA	NA
eavon item	replacement part	description	GRP 1	GRP 2	GRP 3
4817	45XX	Mounting Bracket	19	NA	NA
4817	1-206	Mounting Hardware Pack, 4817 Only	8	NA	NA
Accessories	6XXB	Mounting Bracket	9	NA	NA
Accessories	8-1.2CPZ	Screw for Mounting Bracket	1	NA	NA
Accessories	91165	Wall Anchor, Tile	1	NA	NA
Accessories	91460	Wall Anchor, Drywall	1	NA	NA
Accessories	92031	Set Screw	1	NA	NA
Accessories	10615	Hex Key	1	NA	NA
empire item	replacement part	description	GRP 1	GRP 2	GRP 3
608	1108TN	Replacement Roller	71	83	NA
Single Post Accessories	600B	Small Hexagonal Cone	38	45	NA
Single Post Accessories	6XXB	Small Mounting Bracket	9	NA	NA
Accessories	8-1.2CPZ	Screw for Mounting Bracket	1	NA	NA
Accessories	91165	Wall Anchor, Tile	1	NA	NA
Accessories	91460	Wall Anchor, Drywall	1	NA	NA
Double Post Accessories	600A	Large Hexagonal Cone	49	68	NA
Double Post Accessories	6XXA	Large Mounting Bracket	11	NA	NA
Double Post Accessories	EMPPACA	Mounting Hardware Pack, Double Post	77	NA	NA
Accessories	10888	Hex Key	1	NA	NA
Hotel Shelves	10615	Hex Key	1	NA	NA

# REPLACEMENT PARTS



frame item	replacement part	description	GRP 1	GRP 2	GRP 3
3008, 3027	2808T	Replacement Roller	74	83	NA
Accessories	30XX	Mounting Bracket	6	NA	NA
Accessories	1-206	Mounting Hardware Pack	8	NA	NA
3018T-24	3018-24TSCL	24" Shelf, Tempered Glass	113	NA	NA
3027	3027G	Tempered Glass, Toilet Tissue Holder	77	NA	NA
ACCESSORIES	92308	Set Screw	2	NA	NA
Accessories	10888	Hex Key	1	NA	NA
garnsey item	replacement part	description	GRP 1	GRP 2	GRP 3
Accessories	6XXB	Mounting Bracket	9	NA	NA
Accessories	8-1.2CPZ	Screw for Mounting Bracket	1	NA	NA
Accessories	91165	Wall Anchor, Tile	1	NA	NA
Accessories	91460	Wall Anchor, Drywall	1	NA	NA
Accessories	92031	Set Screw	1	NA	NA
Accessories	10615	Hex Key	1	NA	NA
Hotel Shelves	10615	Hex Key	1	NA	NA
hotelier item	replacement part	description	GRP 1	GRP 2	GRP 3
0314	XX14-PMP	Replacement Pump	97	111	NA
0314	XX14-DSP-FW	Replacement Glass Bottle, Frosted	83	NA	NA
Accessories	03XX	Mounting Bracket	5	NA	NA
Accessories	HOTELPAC	Mounting Hardware Pack	69	NA	NA
Baskets	HOTELBASKPAC	Basket Mounting Hardware Pack	59	68	NA
Baskets	55CC	Hotelier Basket Cap Only	9	11	NA
Hotel Shelves	10615	Hex Key	1	NA	NA
kubic item	replacement part	description	GRP 1	GRP 2	GRP 3
4610T	30XX	Mounting Bracket	6	NA	NA
4610T	1-206	Mounting Hardware Pack	8	NA	NA
4627	2808T	Replacement Roller	74	83	NA
Accessories	SINEPAC-SINGLE	Mounting Hardware Pack for all accessories except 4610T	24	NA	NA
Double Post Accessories	SINEPAC-DOUBLE	Mounting Hardware Pack (Double Post)	38	NA	NA
Accessories	02XXG	Mounting Bracket	5	NA	NA
Hotel Shelves	10615	Hex Key	1	NA	NA
light item	replacement part	description	GRP 1	GRP 2	GRP 3
1181 & 1182	1181-TG-E	Replacement Top Glass Shade, Satin Etched	119	NA	NA
1181	1181-BG-E	Replacement Bottom Glass Shade, Satin Etched	77	NA	NA
2681	2681-TS	London Terrace Fabric Light Shade	77	NA	NA
4581 & 4581-1	4581-G-E	Replacement Glass Shade	186	195	NA
4681 & 4682	3681-RB	Kubic Light Small Rosette	36	42	NA
2881, 2882, 4681, 4681L, 4682 & 4682L, 5381	3681-G-O	Replacement Glass Shade, Satin Opal	134	172	NA
4681L & 4682L	3681-LB	Kubic Light Large Rosette	36	43	NA
4781	40409	Replacement Glass Shade	192	NA	NA
682SO, 682-2SO	682-G-SO	Replacement Glass Shade, Satin Opal	132	NA	NA
1181 & 1182	1181-RB	Chelsea Light Rosette	36	43	NA

lineal item	replacement part	description	GRP 1	GRP 2	GRP 3
Accessories	6XXB	Mounting Bracket	9	NA	NA
Accessories	8-1.2CPZ	Screw for Mounting Bracket	1	NA	NA
Accessories	91165	Wall Anchor, Tile	1	NA	NA
Accessories	91460	Wall Anchor, Drywall	1	NA	NA
Accessories	92422	Hex Key	1	NA	NA
Hotel Shelves	10615	Hex Key	1	NA	NA
london terrace item	replacement part	description	GRP 1	GRP 2	GRP 3
2608	7-752	Replacement Roller	46	54	NA
2619T-24, 2635T-24	2635-24TSCL	24" Shelf, Tempered Glass	85	NA	NA
2636T	2636-12TTCL	12" Tray Tempered Glass	68	NA	NA
Accessories	1-206	Mounting Hardware Pack	8	NA	NA
Accessories	92308	Set Screw	2	NA	NA
Accessories	10888	Hex Key	1	NA	NA
pavin item	replacement part	description	GRP 1	GRP 2	GRP 3
Accessories	6XXB	Mounting Bracket	9	NA	NA
Accessories	8-1.2CPZ	Screw for Mounting Bracket	1	NA	NA
Accessories	91165	Wall Anchor, Tile	1	NA	NA
Accessories	91460	Wall Anchor, Drywall	1	NA	NA
Accessories	92031	Set Screw	1	NA	NA
Accessories	10615	Hex Key	1	NA	NA
Hotel Shelves	10615	Hex Key	1	NA	NA
sine item	replacement part	description	GRP 1	GRP 2	GRP 3
0208	7-752	Replacement Roller	46	54	NA
0218CT-10-10	0218C-10TSCL	Corner Tray, 3/8" Tempered Glass	58	NA	NA
0218T-18	0218-18TSCL	Shelf, 3/8" x 18" Tempered Glass Shelf	77	NA	NA
0219T-18, 0234T-18	0234-18TSCL	Shelf, 1/4" x 18" Tempered Glass Shelf	68	NA	NA
0240-24, 0243-24	024X-24TSCL	24" Hotel Shelf, Tempered Glass	157	NA	NA
Single Post Accessories	SINEPAC-SINGLE	Mounting Hardware Pack (Single Post)	24	NA	NA
Double Post Accessories	SINEPAC-DOUBLE	Mounting Hardware Pack (Double Post)	38	NA	NA
Accessories	02XXG	Mounting Bracket	5	NA	NA
Accessories	1-206	Mounting Hardware Pack	8	NA	NA
Accessories	92308	Set Screw	2	NA	NA
Accessories	10888	Hex Key	1	NA	NA
splashables	replacement part	description	GRP 1	GRP 2	GRP 3
Baskets	5XXC	Basket Cap Cover, Each	6	9	NA
Baskets	5XXF	Basket Post, Each	5	6	NA
Baskets	5XXR	Basket O-Ring for Cap Cover, Each	2	NA	NA
Baskets	SPLASHPAC	Splashables Mounting Hardware Pack	83	99	NA

# REPLACEMENT PARTS



surface item	replacement part	description	GRP 1	GRP 2	GRP 3
2808	2808T	Replacement Roller	74	83	NA
2810, 2810D, 2810Q & 2810T	28XXB	Robe Hook Wall Mounting Bracket	9	NA	NA
Accessories	28XXG	Wall Mounting Bracket	9	NA	NA
Accessories	1-206	Mounting Hardware Pack	8	NA	NA
Accessories	92031	Set Screw	1	NA	NA
Accessories	10615	Hex Key	1	NA	NA
Shower Shelves	SSSPAC	Surface Shower Shelves Mounting Hardware Pack	32	NA	NA
Shower Shelves	92426	Bolt for Shower Shelf Mount	1	NA	NA

# TERMS & CONDITIONS

Sales by Brasstech, Inc ("Seller") to purchaser ("Buyer") are governed by these Terms & Conditions, which may not be varied by any unilateral writing of the Buyer without the expressed written consent of the Seller. Our acceptance of your order is conditioned upon the application of these terms and conditions to the order. Any terms and conditions that you may propose in connection with your order that are additional or different from these terms and conditions are deemed material and are hereby rejected.

## 1. PRICES:

Prices are subject to change without notice and are exclusive of any shipping, delivery, packaging or handling charges that might apply.

## 2. TERMS OF DELIVERY:

Seller's products ("Products") are offered Ex-Works Brasstech, Inc., unless otherwise specifically agreed in writing. Risk of loss of Products shall pass to Buyer upon delivery to carrier at place of shipment. Title shall also pass to Buyer upon delivery thereof, subject to our rights under our purchase money security interest pursuant to paragraph 3(c) below. Carrier acts as Buyer's agent. Unless we expressly authorize in our sole discretion otherwise, all Products will be shipped to Buyer's approved showroom location or to a location within Buyer's local trade area.

## 3. TERMS OF PAYMENT:

(a) Seller's terms for all Products sold are 1% 10 Net 30 days from invoice date. Accounts past due are subject to a 1.5% monthly late charge on unpaid balance. (b) Trade discounts from the list prices are expressly conditioned upon timely payment by the Buyer. Trade discounts for accounts past due are subject to rescission by the Seller, at the Seller's sole and absolute discretion. Upon demand by the Seller, the full list price for past due invoices shall become due, subject to the monthly late charge, as described in section 3(a). (c) Until Seller has received full payment for all Products delivered by Seller, Seller shall retain and Buyer hereby grants to Seller a purchase money security interest in such Products to secure payment, so that all such Products which remain within the possession or control of Buyer shall be subject to being demanded back by Seller until the full purchase price is paid pursuant to Seller's purchase money security interest in such Products.

## 4. CLAIMS:

(a) Nonconforming orders: Buyer shall submit to Seller any and all claims for nonconforming delivery of Products by written notice to Seller within fourteen (14) days of receipt of Products. Seller's occasional acceptance of claims made beyond the 14-day period does not constitute a waiver of the 14-day requirement. (b) Damages: Upon delivery of the Products, Buyer should examine the package for damage. Any damage should be noted on the carrier's delivery receipt before signing. In the event of apparent or concealed damage or shortage, Buyer should retain all packaging and file a claim with the carrier. SELLER'S RESPONSIBILITY CEASES WHEN THE PRODUCTS ARE DELIVERED IN GOOD CONDITION TO THE CARRIER.

## 5. RETURNS:

Effective on orders placed on or after July 1, 2009, the following Return Policy is in place for all Brasstech, Inc. products including products branded: Brasstech®, Newport Brass®, GINGER® and Newport 365:

- All non-defective returns are subject to a 25% restocking fee.
- Returns of non-defective products are subject to a 15% re-boxing fee, to be applied at the discretion of the company, if the product packaging is damaged.
- All returns due to a Brasstech, Inc. error or non-conforming products are subject to a 0% restocking fee.
- RGA (Return Goods Authorization) requests will be accepted up to 180 days from shipment of the product.
- Living finishes are non-returnable.
- Mirrors - returns are permitted for nonconforming product only.
- Special order items and finishes are non-returnable.

## 6. QUOTATIONS:

All quotations will provide an Estimated Time of Delivery (ETD). The ETD is offered as a best estimate of the anticipated delivery time, which the Seller will attempt to meet. It is expressly stated that the ETD is not binding upon Seller and does not provide the basis for consequential or other damages for delay.

## 7. CHARGES:

- (A) RETURNED CHECK CHARGE: \$50.
- (B) HANDLING CHARGE: HANDLING CHARGES WILL APPLY.
- (C) RESTOCKING CHARGE: 25% OF INVOICED VALUE, PER 5 ABOVE.
- (D) REBOXING CHARGE: 15% OF INVOICED VALUE, PER 5 ABOVE.

## 8. BUYER'S SPECIFICATIONS:

If the Products sold hereunder are to be manufactured according to the Buyer's specifications, Buyer shall defend, hold harmless, and indemnify Seller against any claims, damages, suits, proceedings, liabilities, costs or attorney's fees incurred in relation to any claim for patent, copyright, trademark or other intellectual property interest infringement or product design defect.

## 9. FORCE MAJEURE:

Seller shall not be liable for any delay in delivery or for non-delivery, in whole or in part, cause by the occurrence of any contingency beyond the control either of Seller or of suppliers to the Seller, including but not limited to failure or delay in transportation, acts of any government of any agency or subdivision thereof, judicial action, labor, fuel, raw material or machinery or technical failure. If any contingency occurs, Seller may allocate production and deliveries among Seller's customers.

## 10. CREDIT APPROVAL:

Acceptance of your order and shipment and delivery of Products shall at all times be subject to the approval of Seller's credit department and Seller may at any time decline to make any shipment or delivery except upon receipt of payment in advance or upon terms and conditions or security satisfactory to Seller. Seller is entitled to recover costs and attorney's fees in the enforcement or defense of any rights under any order. Interest accrues on all past-due accounts at the maximum rate of interest allowed by law.

## 11. SELLER'S INTELLECTUAL PROPERTY:

Buyer does not and shall not acquire ownership or any rights in Seller's patents, inventions, technical data, copyrights, trademarks or other intellectual property rights under any order, regardless of when such patents, inventions, technical data or other intellectual property rights may be or have been issued, conceived, generated, or produced. All Seller patents, information, technical data, copyrights, trademarks and other intellectual property rights are reserved by Seller, and the same shall not be reproduced or used by Buyer for any purpose whatsoever without Seller's written permission.

## 12. GOVERNING LAW:

All orders shall be construed, interpreted and the rights of the parties determined in accordance with the laws of the State of Delaware.

## 13. LIMITATIONS ON ACTIONS AND LIABILITY:

The statute of limitations applicable to all Buyer's claims arising under this agreement shall be one year from the date the claim accrues. In no event shall Seller be liable for incidental, indirect, special or consequential damages, whether based upon warranty, breach of contract, negligence, strict liability or any other legal theory.

## 14. ENTIRE AGREEMENT:

These Terms and Conditions and Seller's dealer policies published from time to time by Seller contain the entire agreement of the parties relating to the subject matter hereof and may not be waived, changed, modified, extended or discharged orally but only by agreement in writing and signed by the party against whom enforcement of any such waiver, charge, modification, extension or discharge is sought. If you have a current separate written dealer agreement with Seller ("Dealer Agreement"), the provisions of the Dealer Agreement will apply to all orders placed during the effective term of the Dealer Agreement, and to the extent that these Terms and Conditions conflict with the provisions of any such Dealer Agreement, the provisions of the Dealer Agreement will control.

15: All allowances, rebates, and amounts under other programs offered to you by Seller from time to time (collectively "Programs") are payable only if Customer's accounts (including those of your subsidiaries and affiliates) are current with all Masco Corporation subsidiaries and affiliates. If the accounts are not current, Programs are considered not earned or payable. In addition, Programs are not earned or payable if the ratings issued by any agency, such as S&P, Moody's, or Fitch, relating to Customer's company, parent, subsidiaries, or affiliates are lower than investment grade quality. Any earned payment may be withheld or be used to satisfy any of the accounts or other obligations to a Masco subsidiary or affiliate.

## ECOA NOTICE

The federal Equal Credit Opportunity Act prohibits creditors from discriminating against credit applicants on the basis of race, color, religion, national origin, sex, marital status, age (provided that the applicant has the capacity to enter into a binding contract): because all or part of the applicant's income derives from any public assistance program: or because the applicant has in good faith exercised any right under the Consumer Protection Credit Act. The federal agency that administers compliance with this law concerning this credit is the Federal Trade Commission, Division of Credit Practices, 6th and Pennsylvania Avenue NW, Washington DC 20580. For CA residents: An applicant, if married, may apply for a separate account. For OH residents: The Ohio laws against discrimination require that all creditors make credit equally available to all credit worthy customers, and that credit reporting agencies maintain separate credit histories on each individual upon request. The Ohio civil rights commission administers compliance with this law.

Please refer to our website for most current Terms & Conditions.



# LIMITED WARRANTY

Brasstech, Inc. warrants to the original consumer residential purchaser (“Original Purchaser”) that if a product in its; Newport Brass®, Brasstech®, Newport 365 or GINGER® lines of products (“Product”) is confirmed upon inspection to be defective in materials or workmanship during the warranty periods described below, Brasstech, Inc. will, at its option, either repair or provide one-time replacement of the Product with a similar current model of the Product. If repair or replacement is not commercially practical or cannot be made in a timely manner, then Brasstech, Inc. will provide a refund for the Product. This warranty is non-transferable.

## WARRANTY PERIODS AND COVERAGE PRODUCT FINISHES

### WARRANTY PERIODS AND COVERAGE PRODUCT FINISHES

- PVD and Polished Chrome (26) finishes on Products other than Drains and Shower rods are warranted as long as the Original Purchaser owns their home.
- “Living” finishes have no warranty\*. These include 03N & 08W.
- Shower rods, porcelain parts and glass parts have no finish warranty.
- Mirror products will be warranted from desilvering for two (2) years from the date of purchase by the original purchaser as long as desilvering is not due to chemical contact. See maintenance section for proper cleaning instructions.
- All other finishes are warranted for ten (10) years from date of purchase by the Original Purchaser.

## DRAIN FINISHES

- Polished Chrome (26) and PVD finishes on kitchen, bath or lavatory drains including drain baskets and components are warranted for one (1) year from date of purchase by the Original Purchaser.
- All other Drain finishes have no warranty.

## FUNCTIONALITY

- All Product parts except valves are warranted for ten (10) years from the original date of purchase by the Original Purchaser.
- Ceramic disc valves for the lavatory faucet and roman tub are warranted for as long as the Original Purchaser owns the home.
- All other valves (balance pressure, thermostatic, etc.) are warranted for one (1) year from date of purchase by the Original Purchaser.
- Lights have no functional warranty. Soap / Lotion pump mechanisms are warranted for one (1) year from date of purchase by the Original Purchaser.
- Shower rods, porcelain parts and glass parts have no functional warranty.
- Hot water tanks are warranted for one (1) year from the date of purchase by the Original Purchaser.
- Products used on the exterior of a home carry a (1) year finish and functional warranty from the date of purchase by the Original Purchaser.
- Products sold for use as display items are not meant for resale and are not covered under any functional or finish warranty.

## LIMITATION OF SPECIAL, INCIDENTAL OR CONSEQUENTIAL DAMAGES

Please note that some states/provinces do not allow the exclusion or limitation of special, incidental or consequential damages, so the below limitations and exclusions may not apply to you. BRASSTECH, INC. SHALL NOT BE LIABLE FOR ANY SPECIAL, INCIDENTAL OR CONSEQUENTIAL DAMAGES (INCLUDING LABOR CHARGES TO REPAIR, REPLACE, INSTALL OR REMOVE THIS PRODUCT), WHETHER ARISING OUT OF BREACH OF ANY EXPRESS OR IMPLIED WARRANTY, BREACH OF CONTRACT, TORT, OR OTHERWISE. BRASSTECH, INC. SHALL NOT BE LIABLE FOR ANY DAMAGE TO THE PRODUCT RESULTING FROM NORMAL WEAR AND TEAR, OUTDOOR USE, MISUSE (INCLUDING USE OF THE PRODUCT FOR AN UNINTENDED APPLICATION), ABUSE, HARD WATER, IMPROPER STORAGE, IMPROPER HANDLING, IMPROPER INSTALLATION\*\*\*, IMPROPER MAINTENANCE\*\*, OR OTHER USES OTHER THAN NORMAL HOUSEHOLD USAGE.

## LIMITATION ON DURATION OF IMPLIED WARRANTIES

Please note that some states/provinces do not allow limitations on how long an implied Warranty lasts, so limitations may not apply to you. TO THE EXTENT PERMITTED BY LAW, ANY IMPLIED WARRANTY, INCLUDING THE IMPLIED WARRANTIES OF MERCHANTABILITY AND OF FITNESS FOR A PARTICULAR PURPOSE, IS LIMITED TO THE STATUTORY PERIOD OR THE DURATION OF THIS WARRANTY, WHICHEVER IS SHORTER.

## WARRANTY SERVICE

To obtain service under this Warranty, please contact your Product dealer. If you are unable to locate your dealer, please call 949-417-5207 or access the Brasstech, Inc. website at [www.brasstech.com](http://www.brasstech.com). Proof of purchase, such as the original receipt, is required for the dealer to issue credit to the consumer. The dealer must be an authorized dealer and the product must be purchased in the original manufacturer’s packaging (display items excluded).

## STATE REMEDIES

This Warranty gives you specific legal rights, and you may have other rights which vary by state and/or province.

## PRODUCT CARE

Simple care is all that is needed in maintaining this product. Abrasive cleansers, detergents and silver or brass polish may result in damage to the finish and therefore should not be used. To clean, simply wipe with a soft, water dampened cloth. Hand, deck and wall shower sprays feature easy-cleaning jets. The jets should be cleaned periodically by rubbing your thumb or a damp cloth across the jets to loosen mineral deposits. Run the shower spray briefly to purge the loosened deposits.

## \* UNCOATED AND LIVING FINISHES

Uncoated and Living finishes such as Polished Brass Uncoated (03N) and living finishes such as Weathered Copper (08W), do naturally weather and change color over time. Living and uncoated finishes are not warranted.

## \*\* MAINTENANCE

Proper maintenance is required to preserve all finishes. Do not use any abrasive cleaners, alcohol, ammonia, detergents, or brass or silver polish on the Products. For complete care requirements and recommendations, please visit our website at [www.brasstech.com](http://www.brasstech.com).

## \*\*\* PROPER INSTALLATION

Products must be installed in accordance with the manufacturer’s installation instructions supplied with the Products. For example, pipes must be flushed before faucet installations, because solder and other debris may damage ceramic discs. You may also call 949-417-5207 for copies of the installation instructions. Many of our installation instructions are also available on our website, [www.brasstech.com](http://www.brasstech.com).

## \*\*\*\* COMMERCIAL PURCHASERS

Brasstech, Inc. extends the above limited warranty to purchasers of Products for industrial, commercial and business use upon the same terms and conditions and exclusions applicable to residential purchasers, except that the finish and functionality warranty periods are reduced to a period of one (1) year from the date of purchase. ADDITIONALLY, with respect to commercial purchasers, all implied warranties, including the implied warranties of merchantability and fitness for a particular purpose are excluded and disclaimed.

## NUMERICAL PARTS INDEX

PART	I	II	III	PAGE
0142N	441	530		<a href="#">457</a>
0202	170	202		<a href="#">435</a>
0203	179	216		<a href="#">435</a>
0205	128	155		<a href="#">435</a>
0206	114	139		<a href="#">435</a>
0208	182	217		<a href="#">435</a>
0210	89	97		<a href="#">435</a>
0210H	67	76		<a href="#">435</a>
0218-18TSCL	77	NA	NA	<a href="#">468</a>
0218B-10	63	75		<a href="#">436</a>
0218C-10TSCL	58	NA	NA	<a href="#">468</a>
0218CT-10-10	129	159		<a href="#">436</a>
0218T-18	158	189		<a href="#">436</a>
0219T-18	385	463		<a href="#">436</a>
0222-24	317	367		<a href="#">435</a>
0234-18TSCL	68	NA	NA	<a href="#">468</a>
0234T-18	192	230		<a href="#">436</a>
0240-24	413	484		<a href="#">436</a>
0243-24	512	591		<a href="#">436</a>
024X-24TSCL	157	NA	NA	<a href="#">468</a>
02XXG	5	NA	NA	<a href="#">466</a>
0303	118	141		<a href="#">418</a>
0305	99	118		<a href="#">418</a>
0306	99	118		<a href="#">418</a>
0308	121	144		<a href="#">418</a>
0310	58	60		<a href="#">418</a>
0314	208	249		<a href="#">418</a>
0322-16	130	158		<a href="#">418</a>
03XX	5	NA	NA	<a href="#">467</a>
07XX	9	NA	NA	<a href="#">466</a>
I-001	67			<a href="#">383</a>
I-002	67			<a href="#">383</a>
I-003	120			<a href="#">382</a>
I-004	120			<a href="#">382</a>
I-005	68			<a href="#">380</a>
I-006	68			<a href="#">380</a>
I-016	127			<a href="#">382</a>
I-028	161			<a href="#">380</a>
I-035	54			<a href="#">382</a>
I-043	104			<a href="#">380</a>
I-064	195			<a href="#">379</a>
I-068	48			<a href="#">380</a>
I-073	122			<a href="#">380</a>
I-074	122			<a href="#">380</a>
I-091	107			<a href="#">383</a>
I-092	107			<a href="#">383</a>
I-093	144			<a href="#">382</a>
I-094	144			<a href="#">382</a>
I-100	175			<a href="#">386</a>
I-102	379			<a href="#">380</a>
I-103	44			<a href="#">380</a>
I-107	9			<a href="#">383</a>
I-108	9			<a href="#">383</a>
I-109	9			<a href="#">381</a>
I-110	9			<a href="#">383</a>
I-130	9			<a href="#">383</a>
I-131	9			<a href="#">383</a>
I-151	113			<a href="#">380</a>
I-152	33			<a href="#">380</a>
I-153	107			<a href="#">380</a>

PART	I	II	III	PAGE
I-163	61			<a href="#">382</a>
I-191	230			<a href="#">382</a>
I-206	8	NA	NA	<a href="#">465</a>
I-207	223			<a href="#">380</a>
I-226	124			<a href="#">385</a>
I-230	74			<a href="#">382</a>
I-234	197			<a href="#">387</a>
I-242	37			<a href="#">384</a>
I-243	42			<a href="#">387</a>
I-249	75			<a href="#">380</a>
I-254	33			<a href="#">382</a>
I-255	58			<a href="#">380</a>
I-256	15			<a href="#">379</a>
I-259	43			<a href="#">388</a>
I-278	46			<a href="#">380</a>
I-279	60			<a href="#">380</a>
I-280	145			<a href="#">380</a>
I-286	14			<a href="#">379</a>
I-286A	29			<a href="#">379</a>
I-288	40			<a href="#">324</a>
I-298	37			<a href="#">389</a>
I-331	146			<a href="#">381</a>
I-339	323			<a href="#">323</a>
I-355	192			<a href="#">315</a>
I-356	192			<a href="#">315</a>
I-357	192			<a href="#">315</a>
I-358	192			<a href="#">315</a>
I-376	69			<a href="#">382</a>
I-378	440			<a href="#">98</a>
I-396	53			<a href="#">380</a>
I-452	126			<a href="#">380</a>
I-453	126			<a href="#">380</a>
I-454	160			<a href="#">380</a>
I-455	79			<a href="#">380</a>
I-469	549			<a href="#">142</a>
I-478	192			<a href="#">315</a>
I-479	192			<a href="#">315</a>
I-480	192			<a href="#">315</a>
I-481	192			<a href="#">315</a>
I-482	53			<a href="#">315</a>
I-483	439			<a href="#">142</a>
I-500U	358			<a href="#">97</a>
I-502	438			<a href="#">97</a>
I-503	883			<a href="#">97</a>
I-506	438			<a href="#">80</a>
I-507	883			<a href="#">80</a>
I-532U	358			<a href="#">96</a>
I-535	399			<a href="#">380</a>
I-536	207			<a href="#">379</a>
I-540	794			<a href="#">348</a>
I-555	271			<a href="#">380</a>
I-556	160			<a href="#">380</a>
I-570	883			<a href="#">169</a>
I-586	438			<a href="#">303</a>
I-587	883			<a href="#">303</a>
I-588	96			<a href="#">384</a>
I-600	122			<a href="#">383</a>
I-601	122			<a href="#">383</a>
I-602	229			<a href="#">382</a>
I-603	229			<a href="#">382</a>

PART	I	II	III	PAGE
I-606U	195			<a href="#">355</a>
I-607U	265			<a href="#">355</a>
I-610	169			<a href="#">383</a>
I-611	169			<a href="#">383</a>
I-612	282			<a href="#">382</a>
I-613	282			<a href="#">382</a>
I-617	279			<a href="#">355</a>
I-636	438			<a href="#">169</a>
I-654	72			<a href="#">383</a>
I-665	438			<a href="#">133</a>
I-666	883			<a href="#">133</a>
I-676	209			<a href="#">385</a>
I-684	278			<a href="#">348</a>
I-685	384			<a href="#">348</a>
I-697	438			<a href="#">127</a>
I-698	883			<a href="#">127</a>
I-701	334			<a href="#">355</a>
I-702	334			<a href="#">355</a>
I-703	334			<a href="#">355</a>
I-704	334			<a href="#">355</a>
I-705	334			<a href="#">355</a>
I-706	334			<a href="#">355</a>
I-707	334			<a href="#">355</a>
I-714	345			<a href="#">382</a>
I-741	524			<a href="#">348</a>
I-742	627			<a href="#">348</a>
I-743	686			<a href="#">348</a>
I-744	686			<a href="#">348</a>
I-745	627			<a href="#">348</a>
I-747	459			<a href="#">380</a>
I-748	269			<a href="#">380</a>
10-81	407	483	610	<a href="#">356</a>
10-89	186	222	262	<a href="#">356</a>
100	55	69	83	<a href="#">75</a>
1000	878	1,251	1,505	<a href="#">156</a>
1000B	1,051	1,426	1,714	<a href="#">156</a>
10010	34	48	56	<a href="#">384</a>
10016	112	159	188	<a href="#">389</a>
10021	37	51	57	<a href="#">383</a>
1008	943	1,248	1,450	<a href="#">36</a>
1009	1,585	2,217	2,662	<a href="#">158</a>
10095	81	110	132	<a href="#">383</a>
101	99	142	152	<a href="#">104</a>
10104	62	89	108	<a href="#">384</a>
1013	1,515	2,121	2,543	<a href="#">157</a>
1014	1,444	2,018	2,424	<a href="#">157</a>
10175	147	208	250	<a href="#">383</a>
1020	895	1,233	1,475	<a href="#">90</a>
1020-2400	160	218	274	<a href="#">94</a>
1020-3942	599	781	944	<a href="#">94</a>
1020-4273	1,805	2,300	2,795	<a href="#">91</a>
1020-4283	1,723	2,214	2,683	<a href="#">91</a>
10288	48	56	67	<a href="#">383</a>
10289	34	48	56	<a href="#">386</a>
103	39	48	55	<a href="#">75</a>
1030	895	1,251	1,505	<a href="#">117</a>
1030-5103	1,219	1,472	1,699	<a href="#">24</a>
1030-5223	1,140	1,372	1,600	<a href="#">26</a>
1030-5462	1,480	1,998	2,297	<a href="#">26</a>
1030-5463	1,480	1,998	2,297	<a href="#">26</a>

## NUMERICAL PARTS INDEX

PART	I	II	III	PAGE
1030-5503	1,227	1,509	1,740	<a href="#">27</a>
1030-5603	713	864	986	<a href="#">27</a>
1030-5613	628	793	916	<a href="#">27</a>
1030-5623	511	647	746	<a href="#">27</a>
1030-5711	146	191	227	<a href="#">27</a>
1030-5721	295	382	437	<a href="#">27</a>
1030B	1,023	1,466	1,714	<a href="#">117</a>
10313	102	140	133	<a href="#">383</a>
1038	896	1,185	1,376	<a href="#">26</a>
10382	17			<a href="#">382</a>
10413	97	130	124	<a href="#">385</a>
10419	70	95	90	<a href="#">385</a>
10437	122	170	207	<a href="#">384</a>
10438	91	129	153	<a href="#">384</a>
10489	26			<a href="#">380</a>
10493	14			<a href="#">380</a>
10494	9			<a href="#">380</a>
10539	44	58	67	<a href="#">385</a>
10575	148	208	252	<a href="#">384</a>
106	653	776	895	<a href="#">73</a>
106C	412	500	553	<a href="#">73</a>
106H	564	685	790	<a href="#">73</a>
10615	1	NA	NA	<a href="#">465</a>
10620	81	112	133	<a href="#">386</a>
10631	14			<a href="#">380</a>
107	653	776	895	<a href="#">73</a>
107C	412	500	553	<a href="#">73</a>
107H	564	685	790	<a href="#">73</a>
108	691	822	946	<a href="#">73</a>
108C	415	517	586	<a href="#">73</a>
108H	596	758	872	<a href="#">74</a>
10815	9			<a href="#">383</a>
10816	9			<a href="#">383</a>
10817	9			<a href="#">381</a>
10827	39	48	56	<a href="#">386</a>
10829	107	148	141	<a href="#">385</a>
10842	53	70	67	<a href="#">385</a>
10854	148	208	237	<a href="#">384</a>
10888	1	NA	NA	<a href="#">465</a>
1090	1,292	1,727	2,071	<a href="#">80</a>
10937	9			<a href="#">383</a>
10961	34	48	56	<a href="#">384</a>
10973	59	79	88	<a href="#">383</a>
1099	1,995	2,795	3,356	<a href="#">81</a>
11XXB	9	NA	NA	<a href="#">465</a>
11XXD	21	NA	NA	<a href="#">465</a>
1100B	26	29		<a href="#">465</a>
1100C	40	47		<a href="#">465</a>
1101	197	233		<a href="#">396</a>
1102	208	253		<a href="#">396</a>
1103	227	269		<a href="#">396</a>
1105	154	185		<a href="#">396</a>
1107	183	221		<a href="#">396</a>
1108D	348	420		<a href="#">396</a>
1108N	204	248		<a href="#">396</a>
1108TN	71	83		<a href="#">465</a>
1109	192	230		<a href="#">396</a>
11092	38	51	57	<a href="#">388</a>
11094	97	131	159	<a href="#">388</a>
111	220	239	287	<a href="#">76</a>

PART	I	II	III	PAGE
111-2961	761	950	1,286	<a href="#">366</a>
111-2962	761	950	1,286	<a href="#">366</a>
1110	68	76		<a href="#">396</a>
1111	138	151		<a href="#">396</a>
1114	253	307		<a href="#">397</a>
1118B	267	312		<a href="#">397</a>
1118T-18	322	385		<a href="#">397</a>
11181	34	48	56	<a href="#">385</a>
112	88	124	146	<a href="#">365</a>
112A	105	133	162	<a href="#">365</a>
11208	4			<a href="#">379</a>
1121	192	230		<a href="#">396</a>
1122-18	419	501		<a href="#">396</a>
1122-24	451	541		<a href="#">396</a>
1122-32	454	NA		<a href="#">396</a>
1127	219	262		<a href="#">396</a>
113	54	85	104	<a href="#">365</a>
11301	44			<a href="#">380</a>
11309	77	106	101	<a href="#">380</a>
1135-24TSCL	194	NA	NA	<a href="#">465</a>
1135T-18	441	528		<a href="#">397</a>
1135T-24	498	NA		<a href="#">397</a>
1139B	146	175		<a href="#">461</a>
1139R-6	186	225		<a href="#">461</a>
1139SR	59	75		<a href="#">463</a>
114B	137	164		<a href="#">450</a>
11403	4			<a href="#">386</a>
1141	748	859		<a href="#">398</a>
11415	66	90	86	<a href="#">388</a>
11491	9			<a href="#">380</a>
1152	67	79		<a href="#">465</a>
1153	83	99		<a href="#">465</a>
11579	33	46	44	<a href="#">386</a>
11583	33	46	44	<a href="#">384</a>
11588	30	33	38	<a href="#">384</a>
11610	44	58	67	<a href="#">390</a>
11711	7			<a href="#">380</a>
11738	83	112	107	<a href="#">387</a>
11768	78	105	100	<a href="#">389</a>
1181	429	513		<a href="#">398</a>
1181-BG-E	77			<a href="#">453</a>
1181-RB	36	43	NA	<a href="#">467</a>
1181-TG-E	119			<a href="#">453</a>
11817	13			<a href="#">380</a>
1182	655	765		<a href="#">398</a>
11843	53	70	67	<a href="#">383</a>
11874	9			<a href="#">379</a>
11877	62			<a href="#">379</a>
120	202	235	274	<a href="#">365</a>
1200	878	1,242	1,429	<a href="#">212</a>
1200C	995	1,295	1,490	<a href="#">212</a>
1200-1230	213	255	327	<a href="#">218</a>
1200-1250	220	262	334	<a href="#">218</a>
1200-1400	184	221	282	<a href="#">218</a>
1200-1500	255	279	390	<a href="#">219</a>
1200-1510	197	214	294	<a href="#">219</a>
1200-1650	104	122	153	<a href="#">218</a>
1200-1660	125	152	189	<a href="#">219</a>
1200-2400	160	218	274	<a href="#">219</a>
1200-3942	599	781	944	<a href="#">219</a>

PART	I	II	III	PAGE
1200-4273	1,805	2,300	2,795	<a href="#">215</a>
1200-4283	1,723	2,214	2,683	<a href="#">215</a>
1200-5103	1,219	1,472	1,699	<a href="#">46</a>
1200-5223	1,140	1,372	1,600	<a href="#">46</a>
1200-5503	1,227	1,509	1,740	<a href="#">46</a>
1200-5603	680	838	958	<a href="#">46</a>
1200-5613	628	793	916	<a href="#">46</a>
1200-5623	511	647	746	<a href="#">46</a>
1203	950	1,285	1,473	<a href="#">213</a>
1203-1	1,057	1,424	1,638	<a href="#">213</a>
12062	4			<a href="#">380</a>
1208	896	1,185	1,376	<a href="#">64</a>
1209	1,585	2,217	2,662	<a href="#">216</a>
121	162	190	213	<a href="#">365</a>
12118	526	711	677	<a href="#">381</a>
12119	191	259	247	<a href="#">381</a>
12120	129	174	166	<a href="#">381</a>
12121	377	418	398	<a href="#">381</a>
12122	465	628	598	<a href="#">381</a>
12162	39	54	51	<a href="#">389</a>
12172	75	93	104	<a href="#">383</a>
122	157	179	207	<a href="#">365</a>
122LS	167	185	215	<a href="#">365</a>
1220	878	1,242	1,429	<a href="#">212</a>
1220C	995	1,295	1,490	<a href="#">212</a>
12259	37	51	49	<a href="#">380</a>
12266	116	158	150	<a href="#">388</a>
1230	1,118	1,509	1,676	<a href="#">212</a>
1230C	1,229	1,573	1,727	<a href="#">212</a>
1233	1,091	1,472	1,689	<a href="#">213</a>
1233-1	1,196	1,615	1,856	<a href="#">213</a>
12363	57	79	75	<a href="#">387</a>
12372	57	79	75	<a href="#">390</a>
124	226	290	345	<a href="#">77</a>
124-6	160	202	229	<a href="#">77</a>
12402	9			<a href="#">383</a>
12403	7			<a href="#">383</a>
12404	4			<a href="#">383</a>
12405	13			<a href="#">383</a>
12406	13			<a href="#">383</a>
12407	13			<a href="#">387</a>
12499	33	46	44	<a href="#">385</a>
125	204	261	305	<a href="#">77</a>
125-6	130	171	193	<a href="#">77</a>
125-8	55			<a href="#">77</a>
125-9	4			<a href="#">77</a>
12551	39	54	51	<a href="#">387</a>
12555	116	158	150	<a href="#">387</a>
127	226	290	345	<a href="#">77</a>
127-6	152	193	218	<a href="#">77</a>
12823	97	130	124	<a href="#">379</a>
12835	78	105	100	<a href="#">379</a>
12836	97	130	124	<a href="#">379</a>
12837	97	130	124	<a href="#">379</a>
12838	141	191	182	<a href="#">379</a>
13133	51	70	67	<a href="#">388</a>
13137	51	70	67	<a href="#">385</a>
13141	51	70	67	<a href="#">386</a>
1400	1,023	1,434	1,726	<a href="#">148</a>
1400-4261	2,276	2,883	3,738	<a href="#">321</a>

## NUMERICAL PARTS INDEX

PART	I	II	III	PAGE
1400-4262	2,601	3,399	3,982	<a href="#">150</a>
1400-4263	2,601	3,399	3,982	<a href="#">150</a>
1400-4272	1,998	2,697	3,371	<a href="#">150</a>
1400-4273	1,998	2,697	3,371	<a href="#">150</a>
1400-4282	1,798	2,497	3,171	<a href="#">150</a>
1400-4283	1,798	2,497	3,171	<a href="#">150</a>
1400-5113	1,172	1,415	1,633	<a href="#">32</a>
1400-5143	1,129	1,359	1,568	<a href="#">32</a>
1400-5402	1,449	1,955	2,246	<a href="#">32</a>
1400-5403	1,449	1,955	2,246	<a href="#">32</a>
1400-5412	2,170	2,882	3,365	<a href="#">32</a>
1400-5413	2,170	2,882	3,365	<a href="#">32</a>
1400-5462	1,480	1,998	2,297	<a href="#">33</a>
1400-5463	1,480	1,998	2,297	<a href="#">33</a>
1400L	1,023	1,434	1,726	<a href="#">148</a>
1418-18TSCCL	110	NA	NA	<a href="#">465</a>
15-01	273	355	385	<a href="#">93</a>
15-02	289	373	400	<a href="#">93</a>
15-09	201	261	300	<a href="#">93</a>
15-13	190	247	265	<a href="#">93</a>
15-27	289	340	400	<a href="#">93</a>
15-28	289	373	400	<a href="#">94</a>
1500	1,023	1,434	1,726	<a href="#">138</a>
1500-4262	2,601	3,399	3,982	<a href="#">141</a>
1500-4263	2,601	3,399	3,982	<a href="#">142</a>
1500-4272	1,998	2,697	3,371	<a href="#">142</a>
1500-4273	1,998	2,697	3,371	<a href="#">142</a>
1500-4282	1,798	2,497	3,171	<a href="#">142</a>
1500-4283	1,798	2,497	3,171	<a href="#">142</a>
1500-5103	1,129	1,426	1,646	<a href="#">28</a>
1500-5113	1,129	1,426	1,646	<a href="#">28</a>
1500-5123	1,129	1,426	1,646	<a href="#">28</a>
1500-5143	1,129	1,426	1,646	<a href="#">28</a>
1500-5203	1,058	1,331	1,551	<a href="#">30</a>
1500-5223	1,058	1,331	1,551	<a href="#">30</a>
1500-5402	1,449	1,955	2,246	<a href="#">28</a>
1500-5403	1,449	1,955	2,246	<a href="#">29</a>
1500-5412	2,170	2,882	3,365	<a href="#">28</a>
1500-5413	2,170	2,882	3,365	<a href="#">29</a>
1500-5462	1,480	1,998	2,297	<a href="#">29</a>
1500-5463	1,480	1,998	2,297	<a href="#">29</a>
1500-5721	295	382	437	<a href="#">31</a>
1500-5811	282	382	437	<a href="#">31</a>
1503	923	1,232	1,475	<a href="#">138</a>
1508	987	1,329	1,594	<a href="#">138</a>
1600	1,023	1,406	1,613	<a href="#">221</a>
1600-1200	143	167	228	<a href="#">226</a>
1600-1230	154	185	251	<a href="#">225</a>
1600-1250	159	189	256	<a href="#">225</a>
1600-1500	177	213	291	<a href="#">226</a>
1600-1660	93	113	154	<a href="#">226</a>
1600-2400	259	383	429	<a href="#">226</a>
1600-3942	691	933	1,074	<a href="#">226</a>
1600-4272	1,805	2,300	2,795	<a href="#">223</a>
1600-4282	1,723	2,214	2,683	<a href="#">223</a>
1620	1,023	1,406	1,613	<a href="#">221</a>
1620-4273	1,805	2,300	2,795	<a href="#">223</a>
1620-4283	1,723	2,214	2,683	<a href="#">223</a>
1628	896	1,185	1,376	<a href="#">64</a>
1629	1,936	2,617	3,137	<a href="#">223</a>

PART	I	II	III	PAGE
1668	896	1,185	1,376	<a href="#">64</a>
1740	1,166	1,444	1,731	<a href="#">112</a>
1749	1,980	2,409	2,894	<a href="#">113</a>
1760	1,042	1,430	1,642	<a href="#">302</a>
1760-4272	1,805	2,300	2,795	<a href="#">304</a>
1760-4282	1,723	2,214	2,683	<a href="#">304</a>
1770	1,042	1,430	1,642	<a href="#">302</a>
1770-4273	1,805	2,300	2,795	<a href="#">304</a>
1770-4283	1,723	2,214	2,683	<a href="#">304</a>
1779	1,795	2,399	2,878	<a href="#">305</a>
2-101	97	133	162	<a href="#">379</a>
2-110	190	269	327	<a href="#">382</a>
2-111H	192	269	327	<a href="#">361</a>
2-116	80	109	187	<a href="#">361</a>
2-119B	202	273	260	<a href="#">379</a>
2-136	141	183	195	<a href="#">361</a>
2-144	230	312	358	<a href="#">344</a>
2-162	686	956	1,148	<a href="#">384</a>
2-174	675	775	925	<a href="#">379</a>
2-175	379	532	637	<a href="#">379</a>
2-176	261	369	438	<a href="#">379</a>
2-210	499	641	770	<a href="#">385</a>
2-213	558	751	715	<a href="#">385</a>
2-217	104	146	173	<a href="#">381</a>
2-218	461	642	611	<a href="#">385</a>
2-221	124	167	188	<a href="#">330</a>
2-224	290	408	488	<a href="#">381</a>
2-225	290	408	488	<a href="#">381</a>
2-249A	277	373	415	<a href="#">344</a>
2-250	240	326	373	<a href="#">344</a>
2-260	190	259	311	<a href="#">355</a>
2-261	173	243	231	<a href="#">382</a>
2-262	158	218	208	<a href="#">382</a>
2-268	141	183	195	<a href="#">361</a>
2-271	78	105	100	<a href="#">382</a>
2-273	101	139	132	<a href="#">382</a>
2-279	169	217	235	<a href="#">361</a>
2-285	190	269	327	<a href="#">384</a>
2-297	96	125	144	<a href="#">384</a>
2-332	124	167	188	<a href="#">330</a>
2-334	214	301	287	<a href="#">386</a>
2-337	290	408	488	<a href="#">381</a>
2-338	467	654	788	<a href="#">381</a>
2-353	116	158	150	<a href="#">382</a>
2-354	126	176	168	<a href="#">382</a>
2-400	40	56	53	<a href="#">385</a>
2-436	133	172	185	<a href="#">361</a>
2-437	881	1,191	1,428	<a href="#">388</a>
2-438	456	610	734	<a href="#">381</a>
2-439	456	610	734	<a href="#">381</a>
2-440	343	465	553	<a href="#">381</a>
2-442	135	183	174	<a href="#">382</a>
2-443	159	215	255	<a href="#">382</a>
2-454	456	610	734	<a href="#">381</a>
2-455	456	610	734	<a href="#">381</a>
2-470	225	293	314	<a href="#">361</a>
2-472	371			<a href="#">380</a>
2-496	123	159	183	<a href="#">390</a>
2-500	290	408	488	<a href="#">381</a>
2-503	46	51	57	<a href="#">330</a>

PART	I	II	III	PAGE
2-518	54	69	86	<a href="#">380</a>
2-532	34	43	48	<a href="#">383</a>
2-535	82	110	131	<a href="#">390</a>
2-555	141	188	229	<a href="#">380</a>
2-556	116	159	189	<a href="#">380</a>
2-558	290	408	488	<a href="#">381</a>
2-559	244	330	314	<a href="#">382</a>
2-563	38	51	57	<a href="#">380</a>
2-564	245	326	389	<a href="#">344</a>
2-614	495	610	750	<a href="#">379</a>
2-623	104	131	147	<a href="#">384</a>
2-627	44	59	56	<a href="#">388</a>
2-628	48	63	71	<a href="#">388</a>
2-631	38	51	57	<a href="#">383</a>
2-633	59	79	88	<a href="#">383</a>
2-636	127	169	197	<a href="#">387</a>
2-637	229	310	356	<a href="#">387</a>
2-640	124	167	188	<a href="#">330</a>
2-641	534	722	827	<a href="#">381</a>
2-642	532	715	822	<a href="#">381</a>
2-645	147	190	223	<a href="#">361</a>
2-656	61	86	97	<a href="#">390</a>
2-658	70	95	90	<a href="#">383</a>
2-659	282	383	439	<a href="#">381</a>
2-661	488	660	760	<a href="#">381</a>
2-670	60	81	77	<a href="#">384</a>
2-693	70	95	90	<a href="#">383</a>
2-708	288	389	370	<a href="#">379</a>
2-715	67	92	88	<a href="#">387</a>
2-734	314	406	435	<a href="#">98</a>
2-745	101	137	130	<a href="#">379</a>
2-765	78	105	100	<a href="#">383</a>
2-767	402	475	575	<a href="#">384</a>
2-768	386	563	645	<a href="#">384</a>
2-769	454	662	758	<a href="#">390</a>
2-771	225	303	289	<a href="#">381</a>
2-790	127	171	197	<a href="#">379</a>
2-832	205	277	264	<a href="#">384</a>
2-894	54	69	84	<a href="#">381</a>
2-925	148	201	191	<a href="#">387</a>
2-941	721	977	930	<a href="#">388</a>
2-942	63	87	83	<a href="#">389</a>
2-990	301	407	388	<a href="#">382</a>
2-992	135	183	174	<a href="#">382</a>
2-993	257	348	331	<a href="#">382</a>
2-994	83	112	107	<a href="#">382</a>
2-999	338	460	438	<a href="#">382</a>
20-100	83	112	107	<a href="#">382</a>
20-112	607	822	783	<a href="#">387</a>
20-114	512	691	658	<a href="#">390</a>
20-116	500	676	644	<a href="#">382</a>
20-128	597	805	767	<a href="#">390</a>
20-129	735	992	945	<a href="#">387</a>
20-131	240	334	381	<a href="#">347</a>
20-133	103	139	132	<a href="#">382</a>
20-142	384	519	494	<a href="#">382</a>
20-143	257	348	331	<a href="#">382</a>
20-146	273	368	423	<a href="#">355</a>
20-177	116	158	150	<a href="#">382</a>
20-187	78	105	100	<a href="#">382</a>

## NUMERICAL PARTS INDEX

PART	I	II	III	PAGE
20-188	97	130	124	<a href="#">382</a>
20-196	78	105	100	<a href="#">382</a>
20-197	103	139	132	<a href="#">382</a>
20-258	316	442	527	<a href="#">344</a>
20-289	192	269	327	<a href="#">361</a>
20-313	116	158	150	<a href="#">379</a>
20-314	101	131	125	<a href="#">379</a>
20-315	116	158	150	<a href="#">379</a>
20-316	103	139	132	<a href="#">379</a>
20-373	180	231	266	<a href="#">77</a>
20-374	180	231	266	<a href="#">77</a>
20-405	180	231	266	<a href="#">77</a>
20-406	74	101	173	<a href="#">361</a>
20-407	129	175	201	<a href="#">361</a>
20-501	233	316	301	<a href="#">381</a>
20-502	225	302	288	<a href="#">381</a>
20-511	204	275	317	<a href="#">354</a>
20-512	204	275	317	<a href="#">354</a>
20-513	204	275	317	<a href="#">355</a>
20-514	204	275	317	<a href="#">355</a>
200	60	85	105	<a href="#">329</a>
200-1001	112	140	159	<a href="#">329</a>
200-2001	328	431	510	<a href="#">329</a>
200-7102	67	84	101	<a href="#">331</a>
200-7104	67	84	101	<a href="#">331</a>
200-7106	67	84	101	<a href="#">331</a>
200-7108	67	84	101	<a href="#">331</a>
200-7110	67	84	101	<a href="#">331</a>
200-7112	116	156	187	<a href="#">331</a>
200-7118	116	156	187	<a href="#">331</a>
200-7124	148	207	229	<a href="#">331</a>
200-7130	148	207	229	<a href="#">331</a>
200-8102	81	110	126	<a href="#">332</a>
200-8104	81	110	126	<a href="#">332</a>
200-8106	81	110	126	<a href="#">332</a>
200-8108	81	110	126	<a href="#">332</a>
200-8110	81	110	126	<a href="#">332</a>
200-8112	130	175	203	<a href="#">332</a>
200-8118	130	175	203	<a href="#">332</a>
200-8124	163	238	268	<a href="#">332</a>
200-8130	163	238	268	<a href="#">332</a>
2007	933	1,236	1,433	<a href="#">33</a>
2008	933	1,236	1,433	<a href="#">30</a>
201	67	95	113	<a href="#">329</a>
201-1	277	378	415	<a href="#">329</a>
201-1001	415	466	576	<a href="#">329</a>
201-2	306	413	473	<a href="#">329</a>
202	104	135	154	<a href="#">329</a>
202-1	292	368	408	<a href="#">329</a>
2020-1200	152	183	228	<a href="#">269</a>
2020-1230	217	260	324	<a href="#">269</a>
2020-1250	255	306	383	<a href="#">269</a>
2020-1500	242	305	382	<a href="#">270</a>
2020-1570	207	248	311	<a href="#">269</a>
2020-1650	76	90	125	<a href="#">269</a>
2021	134	165	197	<a href="#">329</a>
203	85	110	129	<a href="#">329</a>
2040	1,049	1,404	1,613	<a href="#">258</a>
2040-0442	1,020	1,357	1,626	<a href="#">339</a>
2040-0443	1,020	1,357	1,626	<a href="#">339</a>

PART	I	II	III	PAGE
2040-2400	220	230	282	<a href="#">262</a>
2040-3942	691	933	1,074	<a href="#">263</a>
2040-4261	2,276	2,883	3,738	<a href="#">322</a>
2043	1,092	1,473	1,691	<a href="#">258</a>
2043-1	923	1,232	1,475	<a href="#">258</a>
2049	1,495	2,014	2,311	<a href="#">260</a>
205	117	156	187	<a href="#">329</a>
206	46	51	57	<a href="#">330</a>
206-1	46	51	57	<a href="#">330</a>
206-301	124	167	188	<a href="#">330</a>
206-302	124	167	188	<a href="#">330</a>
2060	1,049	1,404	1,613	<a href="#">258</a>
207	46	51	57	<a href="#">330</a>
208	226	294	338	<a href="#">329</a>
2091	594	802	962	<a href="#">331</a>
2092	831	1,119	1,347	<a href="#">331</a>
211	387	541	648	<a href="#">328</a>
212	301	410	492	<a href="#">328</a>
214	846	1,074	1,290	<a href="#">328</a>
2141	494	620	802	<a href="#">328</a>
2142	494	620	802	<a href="#">328</a>
2143	559	699	909	<a href="#">328</a>
2144	559	699	909	<a href="#">328</a>
215	1,016	1,474	1,741	<a href="#">331</a>
2152	989	1,236	1,604	<a href="#">331</a>
2153	989	1,236	1,604	<a href="#">331</a>
2154	620	772	964	<a href="#">328</a>
2155	257	334	384	<a href="#">328</a>
2156	257	334	384	<a href="#">328</a>
2157	581	757	908	<a href="#">328</a>
2158	581	757	908	<a href="#">328</a>
2159	581	757	908	<a href="#">328</a>
217	159	201	238	<a href="#">343</a>
2170	261	353	405	<a href="#">343</a>
2171	233	314	377	<a href="#">343</a>
2173	261	353	405	<a href="#">343</a>
2174	261	353	405	<a href="#">343</a>
2178	261	353	405	<a href="#">343</a>
22-01	300	392	422	<a href="#">82</a>
22-02	314	408	444	<a href="#">82</a>
22-09	208	262	284	<a href="#">82</a>
22-13	190	247	265	<a href="#">82</a>
22-27	314	408	444	<a href="#">82</a>
22-28	314	408	444	<a href="#">83</a>
220	132	158	185	<a href="#">344</a>
2201	217	301	358	<a href="#">344</a>
230	45	58	70	<a href="#">366</a>
231	89	114	147	<a href="#">366</a>
233-401	279	352	419	<a href="#">325</a>
233-402	279	352	419	<a href="#">325</a>
233-403	279	352	419	<a href="#">325</a>
233-404	279	352	419	<a href="#">325</a>
233-405	279	352	419	<a href="#">325</a>
233-406	279	352	419	<a href="#">325</a>
233-407	279	352	419	<a href="#">325</a>
233-408	279	352	419	<a href="#">325</a>
233-601	317	395	474	<a href="#">326</a>
233-602	317	395	474	<a href="#">326</a>
233-603	317	395	474	<a href="#">326</a>
233-604	317	395	474	<a href="#">326</a>

PART	I	II	III	PAGE
233-605	317	395	474	<a href="#">326</a>
233-606	317	395	474	<a href="#">326</a>
233-607	317	395	474	<a href="#">326</a>
236	55	65	76	<a href="#">366</a>
238	76	89	103	<a href="#">366</a>
2400	978	1,293	1,483	<a href="#">104</a>
2400-2400	259	383	429	<a href="#">110</a>
2400-3942	691	933	1,074	<a href="#">110</a>
2400-4272	1,805	2,300	2,795	<a href="#">106</a>
2400-4273	1,805	2,300	2,795	<a href="#">106</a>
2400-4282	1,723	2,214	2,683	<a href="#">107</a>
2400-4283	1,723	2,214	2,683	<a href="#">107</a>
2403	844	1,143	1,315	<a href="#">246</a>
2410	978	1,293	1,483	<a href="#">104</a>
2413	923	1,244	1,429	<a href="#">246</a>
2419	1,495	2,014	2,311	<a href="#">107</a>
2420	911	1,208	1,388	<a href="#">104</a>
243-401	279	352	419	<a href="#">324</a>
243-403	279	352	419	<a href="#">324</a>
243-404	279	352	419	<a href="#">324</a>
243-405	279	352	419	<a href="#">324</a>
243-406	279	352	419	<a href="#">324</a>
2430	911	1,208	1,388	<a href="#">104</a>
2433	923	1,244	1,429	<a href="#">104</a>
2440	980	1,293	1,483	<a href="#">278</a>
2440-2400	259	383	429	<a href="#">283</a>
2440-3942	691	933	1,074	<a href="#">283</a>
2450	980	1,293	1,483	<a href="#">278</a>
2459	1,495	2,014	2,311	<a href="#">280</a>
2460	960	1,293	1,483	<a href="#">174</a>
2470	960	1,293	1,483	<a href="#">174</a>
2470-5103	1,129	1,426	1,646	<a href="#">41</a>
2470-5203	969	1,237	1,439	<a href="#">42</a>
2470-5223	1,058	1,331	1,551	<a href="#">42</a>
2470-5303	1,016	1,323	1,526	<a href="#">41</a>
2470-5313	1,309	1,702	1,966	<a href="#">41</a>
2470-5432	1,284	1,791	2,149	<a href="#">41</a>
2470-5433	1,284	1,791	2,149	<a href="#">41</a>
2470-5462	1,480	1,998	2,297	<a href="#">41</a>
2470-5463	1,480	1,998	2,297	<a href="#">42</a>
2470-5503	1,067	1,469	1,762	<a href="#">42</a>
2470-5603	653	815	943	<a href="#">42</a>
2470-5613	578	756	836	<a href="#">42</a>
2470-5623	405	504	569	<a href="#">42</a>
2470-5711	146	191	227	<a href="#">42</a>
2470-5721	295	382	437	<a href="#">43</a>
2470-5811	282	382	437	<a href="#">43</a>
2473	939	1,267	1,429	<a href="#">174</a>
2480	949	1,219	1,398	<a href="#">246</a>
2480-2400	206	230	282	<a href="#">250</a>
2480-3942	691	933	1,074	<a href="#">250</a>
2480-4261	2,276	2,883	3,738	<a href="#">322</a>
2489	1,434	1,936	2,224	<a href="#">248</a>
2490	1,003	1,338	1,551	<a href="#">187</a>
2493	894	1,205	1,383	<a href="#">187</a>
2500-5123	1,184	1,426	1,646	<a href="#">57</a>
2500-5223	1,112	1,331	1,551	<a href="#">57</a>
2500-5503	1,396	1,714	1,975	<a href="#">57</a>
2500-5613	688	871	1,007	<a href="#">57</a>
2500-5623	503	641	738	<a href="#">57</a>

## NUMERICAL PARTS INDEX

PART	I	II	III	PAGE
2500-5721	295	382	437	<a href="#">58</a>
2510-5103	1,129	1,426	1,646	<a href="#">50</a>
2510-5203	1,058	1,331	1,551	<a href="#">50</a>
2540	1,099	1,422	1,632	<a href="#">205</a>
2540-1230	311	373	465	<a href="#">208</a>
2540-1250	345	416	519	<a href="#">208</a>
2540-1410	235	283	354	<a href="#">208</a>
2540-1500	253	304	380	<a href="#">208</a>
2540-1570	192	231	290	<a href="#">208</a>
2540-1650	112	136	169	<a href="#">208</a>
2540-1660	167	198	247	<a href="#">208</a>
255	246	299	336	<a href="#">367</a>
2550	1,182	1,483	1,579	<a href="#">168</a>
2559	1,434	1,936	2,153	<a href="#">169</a>
2560	1,099	1,422	1,632	<a href="#">265</a>
2560-4261	2,276	2,883	3,738	<a href="#">323</a>
2560C	1,185	1,587	1,893	<a href="#">265</a>
2563	953	1,288	1,477	<a href="#">265</a>
257	540	728	874	<a href="#">366</a>
2570	1,185	1,600	1,829	<a href="#">182</a>
2570-2400	220	331	381	<a href="#">185</a>
2570-3942	691	933	1,074	<a href="#">185</a>
2579	1,450	1,928	2,214	<a href="#">183</a>
260	53	62	72	<a href="#">367</a>
2602	154	185		<a href="#">429</a>
2603	159	189		<a href="#">429</a>
2605	143	167		<a href="#">429</a>
2608	177	213		<a href="#">429</a>
2609	186	220		<a href="#">429</a>
2611	93	103		<a href="#">429</a>
2619T-24	300	360		<a href="#">430</a>
2622-24	276	328		<a href="#">429</a>
2635-24TSCL	85	NA	NA	<a href="#">468</a>
2635T-24	300	360		<a href="#">430</a>
2636-12TTCL	68	NA	NA	<a href="#">468</a>
2636T	225	259		<a href="#">429</a>
2639B	101	124		<a href="#">431</a>
2641	452	519		<a href="#">431</a>
2642	485	554		<a href="#">431</a>
265	61	72	89	<a href="#">367</a>
26550	197	236		<a href="#">430</a>
26551	322	382		<a href="#">430</a>
26552	402	481		<a href="#">430</a>
26554	340	407		<a href="#">430</a>
266	68	83	100	<a href="#">367</a>
267	71	93	114	<a href="#">367</a>
2681	239	281		<a href="#">430</a>
2681-TS	77	NA		<a href="#">430</a>
270	93	114	126	<a href="#">367</a>
2700	43	50	NA	<a href="#">466</a>
272	114	146	177	<a href="#">367</a>
273	152	189	223	<a href="#">367</a>
2739B	146	175		<a href="#">461</a>
274	173	215	252	<a href="#">368</a>
275	100	126	168	<a href="#">368</a>
276	168	215	240	<a href="#">368</a>
277-01	113			<a href="#">325</a>
277-01A	70			<a href="#">324</a>
277-01-E	119			<a href="#">324</a>
277-02	171			<a href="#">326</a>

PART	I	II	III	PAGE
277-02A	85			<a href="#">326</a>
277-02-E	149			<a href="#">326</a>
277-03	119			<a href="#">324</a>
277-04	411	556	638	<a href="#">327</a>
277-06	462	636	711	<a href="#">327</a>
278-01	87			<a href="#">324</a>
278-02	120			<a href="#">326</a>
278A-01	75			<a href="#">324</a>
278A-02	109			<a href="#">326</a>
278P-01	75			<a href="#">324</a>
278P-02	109			<a href="#">326</a>
28XXB	9	NA	NA	<a href="#">469</a>
28XXG	9	NA	NA	<a href="#">469</a>
280	215	290	338	<a href="#">333</a>
280A	552	767	917	<a href="#">335</a>
280D	788	1,021	1,198	<a href="#">337</a>
280E	1,314	1,640	2,129	<a href="#">337</a>
280F	1,314	1,640	2,129	<a href="#">337</a>
280G	856	1,157	1,327	<a href="#">335</a>
280H	856	1,157	1,327	<a href="#">335</a>
280J	856	1,157	1,327	<a href="#">335</a>
280K	856	1,157	1,327	<a href="#">335</a>
280L	1,314	1,640	2,129	<a href="#">337</a>
280M	856	1,157	1,327	<a href="#">335</a>
280N	856	1,157	1,327	<a href="#">335</a>
280P	588	767	917	<a href="#">336</a>
280R	588	767	917	<a href="#">336</a>
280S	1,049	1,418	1,738	<a href="#">337</a>
280T	1,049	1,418	1,738	<a href="#">337</a>
2802	311	373		<a href="#">438</a>
2803	345	416		<a href="#">438</a>
2804	442	530		<a href="#">438</a>
2805	235	283		<a href="#">438</a>
2806L	192	231		<a href="#">438</a>
2806R	192	231		<a href="#">438</a>
2807	205	247		<a href="#">438</a>
2808	253	304		<a href="#">438</a>
2808T	74	83	NA	<a href="#">466</a>
2809	233	281		<a href="#">438</a>
281	215	290	338	<a href="#">333</a>
281-I	482	650	743	<a href="#">333</a>
281A	552	767	917	<a href="#">335</a>
281D	788	1,021	1,198	<a href="#">337</a>
2810	112	122		<a href="#">439</a>
2810D	167	181		<a href="#">439</a>
2810Q	281	308		<a href="#">439</a>
2810T	231	254		<a href="#">439</a>
2819RT-12	419	NA		<a href="#">439</a>
2819RT-24	491	NA		<a href="#">439</a>
283	301	449	554	<a href="#">333</a>
283-101	301	449	554	<a href="#">333</a>
283-102	301	449	554	<a href="#">333</a>
283-2	301	449	554	<a href="#">333</a>
283-201	301	449	554	<a href="#">333</a>
283-3	482	650	743	<a href="#">334</a>
283-4	471	638	734	<a href="#">334</a>
283-5	471	638	734	<a href="#">334</a>
2835T-24	442	530		<a href="#">439</a>
284	181	240	277	<a href="#">340</a>
284I	587	689		<a href="#">441</a>

PART	I	II	III	PAGE
285	86	125	148	<a href="#">340</a>
285-1	120	164	186	<a href="#">340</a>
285-2	120	164	186	<a href="#">340</a>
285-3	120	164	186	<a href="#">340</a>
285-4	120	164	186	<a href="#">340</a>
285-5	120	164	186	<a href="#">340</a>
285-6	120	164	186	<a href="#">341</a>
28500	337	405		<a href="#">439</a>
28501	770	924		<a href="#">440</a>
28502	499	599		<a href="#">439</a>
28505	731	876		<a href="#">440</a>
28504L	738	883		<a href="#">440</a>
28504R	738	883		<a href="#">440</a>
287	146	196	228	<a href="#">341</a>
288	160	210	247	<a href="#">341</a>
2881	570	683		<a href="#">441</a>
2882	675	812		<a href="#">441</a>
290	74			<a href="#">340</a>
291	86	118	143	<a href="#">342</a>
2910	1,189	1,546	1,778	<a href="#">297</a>
2919	1,450	1,884	2,165	<a href="#">298</a>
292	494	628	739	<a href="#">338</a>
2920	1,277	1,885	2,168	<a href="#">272</a>
2930	1,052	1,421	1,631	<a href="#">272</a>
294	670	856	1,037	<a href="#">338</a>
294-I	670	856	1,037	<a href="#">338</a>
2940	995	1,373	1,650	<a href="#">285</a>
2940C	1,143	1,478	1,870	<a href="#">285</a>
2940-5103	1,219	1,472	1,699	<a href="#">55</a>
2940-5123	1,129	1,359	1,568	<a href="#">55</a>
2940-5223	1,140	1,372	1,600	<a href="#">55</a>
2940-5463	1,480	1,998	2,287	<a href="#">55</a>
2940-5503	1,227	1,509	1,740	<a href="#">55</a>
2940-5603	713	864	986	<a href="#">55</a>
2940-5613	628	793	916	<a href="#">56</a>
2940-5623	511	647	746	<a href="#">56</a>
2940-5711	146	191	227	<a href="#">56</a>
2940-5721	295	382	437	<a href="#">56</a>
2940-5811	282	382	437	<a href="#">56</a>
2949	1,801	2,520	2,772	<a href="#">286</a>
295	670	856	1,037	<a href="#">338</a>
295-I	695	888	1,049	<a href="#">338</a>
2950	1,277	1,885	2,168	<a href="#">272</a>
296	159	215	249	<a href="#">341</a>
296-I	159	215	249	<a href="#">341</a>
2960	1,175	1,752	2,039	<a href="#">272</a>
297	159	215	249	<a href="#">341</a>
2970	1,150	1,555	1,776	<a href="#">132</a>
2979	1,408	1,871	2,151	<a href="#">134</a>
2980	1,150	1,555	1,776	<a href="#">132</a>
2990	1,099	1,422	1,632	<a href="#">265</a>
2990C	1,185	1,587	1,893	<a href="#">265</a>
3-1003	798	1,078	1,238	<a href="#">156</a>
3-1003TR	587	789	905	<a href="#">158</a>
3-1003TS	628	834	960	<a href="#">158</a>
3-1004BP	690	895	998	<a href="#">156</a>
3-1004TR	480	624	719	<a href="#">158</a>
3-1006	1,036	1,350	1,559	<a href="#">157</a>
3-1007	1,398	1,818	2,097	<a href="#">157</a>
3-1026	1,199	1,559	1,798	<a href="#">91</a>

## NUMERICAL PARTS INDEX

PART	I	II	III	PAGE
3-1027	1,559	2,028	2,336	<a href="#">91</a>
3-1031	697	1,112	1,334	<a href="#">118</a>
3-1032BP	875	1,134	1,309	<a href="#">118</a>
3-1034BP	666	863	998	<a href="#">119</a>
3-1034TR	480	624	719	<a href="#">121</a>
3-1036	1,036	1,350	1,559	<a href="#">120</a>
3-1037	1,398	1,818	2,097	<a href="#">120</a>
3-1096	1,517	1,973	2,277	<a href="#">80</a>
3-1097	1,880	2,441	2,818	<a href="#">80</a>
3-1201	707	989	1,187	<a href="#">213</a>
3-1203TR	587	789	905	<a href="#">216</a>
3-1203TS	628	834	960	<a href="#">216</a>
3-1204BP	666	863	998	<a href="#">214</a>
3-1204TR	480	624	719	<a href="#">217</a>
3-1205	719	933	1,078	<a href="#">214</a>
3-1206	1,036	1,350	1,559	<a href="#">215</a>
3-1207	1,398	1,818	2,097	<a href="#">215</a>
3-1221	707	989	1,187	<a href="#">213</a>
3-1225	719	933	1,078	<a href="#">215</a>
3-1231	916	1,284	1,540	<a href="#">213</a>
3-1236	1,337	1,738	2,007	<a href="#">215</a>
3-1237	1,687	2,193	2,532	<a href="#">215</a>
3-1406L	1,117	1,452	1,679	<a href="#">149</a>
3-1407L	1,504	1,954	2,252	<a href="#">149</a>
3-1501	761	990	1,142	<a href="#">139</a>
3-1502BP	942	1,227	1,415	<a href="#">139</a>
3-1503TR	628	834	960	<a href="#">143</a>
3-1503TS	649	868	996	<a href="#">143</a>
3-1504BP	705	914	1,057	<a href="#">140</a>
3-1504TR	480	624	719	<a href="#">143</a>
3-1505	761	990	1,142	<a href="#">141</a>
3-1603TR	628	834	960	<a href="#">224</a>
3-1604TR	559	727	838	<a href="#">224</a>
3-1605	798	1,036	1,199	<a href="#">222</a>
3-1606	1,199	1,559	1,798	<a href="#">222</a>
3-1607	1,584	2,056	2,372	<a href="#">222</a>
3-1623TR	628	834	960	<a href="#">224</a>
3-1624BP	783	1,016	1,174	<a href="#">221</a>
3-1624TR	559	727	838	<a href="#">224</a>
3-1625	798	1,036	1,199	<a href="#">222</a>
3-1626	1,199	1,559	1,798	<a href="#">222</a>
3-1627	1,584	2,056	2,372	<a href="#">222</a>
3-163	210	293	353	<a href="#">100</a>
3-163B	210	293	353	<a href="#">100</a>
3-1663TR	587	789	905	<a href="#">113</a>
3-1744TR	559	721	838	<a href="#">113</a>
3-1746	1,440	1,870	2,158	<a href="#">112</a>
3-1747	1,798	2,338	2,695	<a href="#">112</a>
3-1761	798	1,036	1,199	<a href="#">302</a>
3-1763TR	597	789	905	<a href="#">305</a>
3-1764TR	638	831	960	<a href="#">305</a>
3-1765	798	1,036	1,199	<a href="#">303</a>
3-1766	1,199	1,559	1,798	<a href="#">303</a>
3-1767	1,559	2,028	2,336	<a href="#">303</a>
3-1771	798	1,036	1,199	<a href="#">302</a>
3-1775	798	1,036	1,199	<a href="#">303</a>
3-1776	1,199	1,559	1,798	<a href="#">303</a>
3-1777	1,559	2,028	2,336	<a href="#">304</a>
3-178	534	750	902	<a href="#">383</a>
3-188H	336	471	566	<a href="#">92</a>

PART	I	II	III	PAGE
3-192	896	1,065	1,278	<a href="#">98</a>
3-196	637	888	1,066	<a href="#">98</a>
3-202	216	303	363	<a href="#">254</a>
3-2023TR	628	834	960	<a href="#">248</a>
3-2023TS	649	868	996	<a href="#">260</a>
3-2041	798	1,078	1,237	<a href="#">258</a>
3-2044BP	1,002	1,295	1,499	<a href="#">252</a>
3-2044TS	719	933	1,078	<a href="#">261</a>
3-2045	798	1,036	1,199	<a href="#">259</a>
3-2046	1,079	1,404	1,620	<a href="#">259</a>
3-2047	1,441	1,871	2,159	<a href="#">260</a>
3-2061	798	1,078	1,237	<a href="#">258</a>
3-2063TS	649	868	996	<a href="#">260</a>
3-2064TS	719	933	1,078	<a href="#">261</a>
3-225	466	652	781	<a href="#">385</a>
3-226	612	855	1,029	<a href="#">98</a>
3-227	239	336	403	<a href="#">144</a>
3-227LH	239	336	403	<a href="#">349</a>
3-230	210	293	353	<a href="#">349</a>
3-230B	210	293	353	<a href="#">349</a>
3-233	532	742	895	<a href="#">386</a>
3-234	227	301	347	<a href="#">344</a>
3-236	725	1,016	1,217	<a href="#">384</a>
3-2401	761	1,025	1,176	<a href="#">105</a>
3-2403TR	628	834	960	<a href="#">107</a>
3-2404BP	947	1,244	1,440	<a href="#">105</a>
3-2404TR	702	912	1,055	<a href="#">108</a>
3-2405	761	990	1,142	<a href="#">106</a>
3-241	210	293	353	<a href="#">349</a>
3-241B	210	293	353	<a href="#">349</a>
3-241I	761	1,025	1,176	<a href="#">105</a>
3-2412BP	1,214	1,575	1,818	<a href="#">105</a>
3-2413TR	628	834	960	<a href="#">107</a>
3-2414BP	947	1,244	1,440	<a href="#">105</a>
3-2414TR	702	912	1,055	<a href="#">108</a>
3-2415	761	990	1,142	<a href="#">106</a>
3-2416	1,036	1,350	1,559	<a href="#">106</a>
3-2417	1,398	1,817	2,097	<a href="#">106</a>
3-2441	761	1,025	1,176	<a href="#">278</a>
3-2445	761	990	1,142	<a href="#">279</a>
3-245	210	293	353	<a href="#">349</a>
3-2451	761	1,025	1,176	<a href="#">278</a>
3-2454BP	960	1,244	1,440	<a href="#">279</a>
3-2455	761	990	1,142	<a href="#">279</a>
3-2456	1,036	1,350	1,559	<a href="#">279</a>
3-2457	1,398	1,817	2,097	<a href="#">279</a>
3-246	792	1,069	1,018	<a href="#">379</a>
3-2461	761	1,025	1,176	<a href="#">174</a>
3-2465	761	990	1,142	<a href="#">175</a>
3-2471	761	1,025	1,176	<a href="#">174</a>
3-2475	761	990	1,142	<a href="#">176</a>
3-2476	1,036	1,350	1,559	<a href="#">176</a>
3-2477	1,398	1,817	2,097	<a href="#">176</a>
3-248	354	494	593	<a href="#">350</a>
3-2481	692	932	1,069	<a href="#">246</a>
3-2484BP	882	1,190	1,369	<a href="#">359</a>
3-2484TR	769	1,035	1,188	<a href="#">248</a>
3-2485	692	932	1,069	<a href="#">247</a>
3-2486	1,002	1,347	1,546	<a href="#">247</a>
3-2487	1,361	1,833	2,103	<a href="#">247</a>

PART	I	II	III	PAGE
3-249	641	897	1,046	<a href="#">384</a>
3-2491	770	1,036	1,190	<a href="#">187</a>
3-2494BP	961	1,263	1,485	<a href="#">246</a>
3-2495	846	1,140	1,309	<a href="#">188</a>
3-2496	1,077	1,452	1,671	<a href="#">188</a>
3-2497	1,423	1,922	2,206	<a href="#">188</a>
3-2541	922	1,243	1,427	<a href="#">205</a>
3-2544BP	1,244	1,683	1,934	<a href="#">205</a>
3-2544TS	719	967	1,078	<a href="#">207</a>
3-2545	922	1,243	1,427	<a href="#">206</a>
3-2546	1,305	1,914	2,264	<a href="#">206</a>
3-2547	1,936	2,923	3,485	<a href="#">206</a>
3-255	239	336	403	<a href="#">350</a>
3-2551	860	1,162	1,292	<a href="#">168</a>
3-2552BP	1,530	2,066	2,297	<a href="#">168</a>
3-2554BP	1,162	1,571	1,743	<a href="#">169</a>
3-2554TR	719	967	1,078	<a href="#">170</a>
3-2555	860	1,162	1,292	<a href="#">169</a>
3-2556	1,568	2,114	2,350	<a href="#">169</a>
3-2557	2,533	3,419	3,797	<a href="#">169</a>
3-2561	922	1,243	1,427	<a href="#">265</a>
3-2565	922	1,241	1,427	<a href="#">266</a>
3-2564BP	1,244	1,683	1,934	<a href="#">266</a>
3-2566	1,305	1,914	2,264	<a href="#">267</a>
3-2567	1,936	2,923	3,485	<a href="#">267</a>
3-2573TS	713	927	1,066	<a href="#">183</a>
3-2574BP	1,209	1,634	1,877	<a href="#">182</a>
3-2574TS	753	980	1,126	<a href="#">183</a>
3-2575	895	1,208	1,387	<a href="#">182</a>
3-2576	1,267	1,647	1,895	<a href="#">183</a>
3-2577	1,880	2,441	2,806	<a href="#">183</a>
3-260	924	1,250	1,500	<a href="#">383</a>
3-274	585	742	895	<a href="#">386</a>
3-275	473	672	760	<a href="#">386</a>
3-279	256	357	429	<a href="#">350</a>
3-279L	256	357	429	<a href="#">350</a>
3-289	394	530	638	<a href="#">350</a>
3-2913TR	734	927	1,066	<a href="#">298</a>
3-2914TR	753	980	1,126	<a href="#">298</a>
3-2915	895	1,161	1,337	<a href="#">297</a>
3-2916	1,272	1,647	1,895	<a href="#">297</a>
3-2917	1,874	2,441	2,806	<a href="#">298</a>
3-2921	964	1,300	1,498	<a href="#">272</a>
3-2922BP	1,140	1,537	1,769	<a href="#">272</a>
3-2923TR	817	1,101	1,266	<a href="#">273</a>
3-2924BP	857	1,159	1,334	<a href="#">273</a>
3-2924TR	876	1,161	1,319	<a href="#">274</a>
3-2925	917	1,238	1,423	<a href="#">273</a>
3-2941	834	1,213	1,468	<a href="#">285</a>
3-2943TR	754	866	1,038	<a href="#">286</a>
3-2944TR	654	788	876	<a href="#">286</a>
3-2945	832	1,163	1,349	<a href="#">286</a>
3-2946	1,240	1,736	1,993	<a href="#">286</a>
3-2947	1,650	2,184	2,573	<a href="#">286</a>
3-295	462	624	714	<a href="#">390</a>
3-296	863	1,168	1,112	<a href="#">390</a>
3-297	410	554	636	<a href="#">390</a>
3-2971	936	1,830	2,103	<a href="#">132</a>
3-2973TR	819	1,094	1,257	<a href="#">134</a>
3-2974BP	1,160	1,560	1,802	<a href="#">133</a>

## NUMERICAL PARTS INDEX

PART	I	II	III	PAGE
3-2974TR	887	1,154	1,305	<a href="#">134</a>
3-2975	889	1,202	1,381	<a href="#">133</a>
3-2976	1,327	1,791	2,061	<a href="#">133</a>
3-2977	1,824	2,371	2,739	<a href="#">133</a>
3-2981	936	1,830	2,103	<a href="#">132</a>
3-2983TR	819	1,094	1,257	<a href="#">134</a>
3-2984TR	887	1,154	1,305	<a href="#">134</a>
3-2985	889	1,202	1,381	<a href="#">133</a>
3-2991	922	1,243	1,427	<a href="#">266</a>
3-3101	739	905	1,038	<a href="#">240</a>
3-3102BP	1,138	1,477	1,700	<a href="#">241</a>
3-3103TR	649	868	996	<a href="#">242</a>
3-3104BP	883	1,149	1,321	<a href="#">241</a>
3-3105	712	925	1,064	<a href="#">241</a>
3-3106	1,010	1,315	1,509	<a href="#">241</a>
3-3107	1,344	1,745	2,009	<a href="#">241</a>
3-3121	739	905	1,038	<a href="#">193</a>
3-3124BP	883	1,149	1,321	<a href="#">193</a>
3-3125	712	925	1,064	<a href="#">194</a>
3-3126	1,010	1,315	1,509	<a href="#">194</a>
3-3127	1,344	1,745	2,009	<a href="#">194</a>
3-3143TS	819	1,094	1,257	<a href="#">200</a>
3-3144BP	1,160	1,560	1,802	<a href="#">199</a>
3-3144TS	887	1,154	1,305	<a href="#">201</a>
3-3145	889	1,202	1,381	<a href="#">200</a>
3-3146	1,327	1,791	2,061	<a href="#">200</a>
3-3147	1,764	2,382	2,739	<a href="#">200</a>
3-3153TS	819	1,094	1,257	<a href="#">200</a>
3-3154TS	887	1,154	1,305	<a href="#">201</a>
3-322	246	334	400	<a href="#">350</a>
3-323	246	334	400	<a href="#">350</a>
3-3231	855	1,196	1,494	<a href="#">234</a>
3-3233TR	827	1,159	1,335	<a href="#">236</a>
3-3234TR	775	1,044	1,298	<a href="#">236</a>
3-3235	898	1,257	1,457	<a href="#">235</a>
3-3236	1,339	1,874	2,153	<a href="#">235</a>
3-3237	1,782	2,358	2,778	<a href="#">235</a>
3-3241	855	1,196	1,494	<a href="#">234</a>
3-3243TR	827	1,159	1,335	<a href="#">236</a>
3-3244TR	775	1,044	1,298	<a href="#">237</a>
3-3245	898	1,257	1,457	<a href="#">235</a>
3-3246	1,339	1,874	2,153	<a href="#">235</a>
3-3247	1,782	2,358	2,778	<a href="#">236</a>
3-3251	855	1,196	1,494	<a href="#">126</a>
3-3253TR	827	1,159	1,335	<a href="#">128</a>
3-3254TR	775	1,044	1,298	<a href="#">128</a>
3-3255	898	1,257	1,457	<a href="#">127</a>
3-3256	1,339	1,874	2,153	<a href="#">127</a>
3-3257	1,782	2,358	2,778	<a href="#">127</a>
3-3261	855	1,196	1,494	<a href="#">126</a>
3-3263TR	827	1,159	1,335	<a href="#">128</a>
3-3264TR	775	1,044	1,298	<a href="#">129</a>
3-3265	898	1,257	1,457	<a href="#">127</a>
3-3266	1,339	1,874	2,153	<a href="#">127</a>
3-3267	1,782	2,358	2,778	<a href="#">128</a>
3-327	423	570	652	<a href="#">389</a>
3-3271	855	1,196	1,494	<a href="#">162</a>
3-3273TR	827	1,159	1,335	<a href="#">164</a>
3-3274TR	775	1,044	1,298	<a href="#">164</a>
3-3275	898	1,257	1,457	<a href="#">163</a>

PART	I	II	III	PAGE
3-3276	1,339	1,874	2,153	<a href="#">163</a>
3-3277	1,782	2,358	2,778	<a href="#">163</a>
3-328	246	334	381	<a href="#">345</a>
3-3281	855	1,196	1,494	<a href="#">162</a>
3-3283TR	827	1,159	1,335	<a href="#">164</a>
3-3284TR	775	1,044	1,298	<a href="#">165</a>
3-3285	898	1,257	1,457	<a href="#">163</a>
3-3286	1,339	1,874	2,153	<a href="#">163</a>
3-3287	1,782	2,358	2,778	<a href="#">164</a>
3-3291	855	1,196	1,494	<a href="#">228</a>
3-3293TR	827	1,159	1,335	<a href="#">230</a>
3-3294TR	775	1,044	1,298	<a href="#">231</a>
3-3295	898	1,257	1,457	<a href="#">229</a>
3-3296	1,339	1,874	2,153	<a href="#">229</a>
3-3297	1,782	2,358	2,778	<a href="#">230</a>
3-3301	855	1,196	1,494	<a href="#">228</a>
3-3303TR	827	1,159	1,335	<a href="#">230</a>
3-3304TR	775	1,044	1,298	<a href="#">231</a>
3-3305	898	1,257	1,457	<a href="#">229</a>
3-3306	1,339	1,874	2,153	<a href="#">230</a>
3-3307	1,782	2,358	2,778	<a href="#">230</a>
3-3321	792	1,108	1,384	<a href="#">291</a>
3-3323TR	649	835	1,038	<a href="#">292</a>
3-3324TR	549	683	771	<a href="#">293</a>
3-3325	666	864	999	<a href="#">292</a>
3-3326	960	1,251	1,444	<a href="#">292</a>
3-3327	1,294	1,683	1,941	<a href="#">292</a>
3-3331	792	1,108	1,384	<a href="#">291</a>
3-3333TR	649	835	1,038	<a href="#">293</a>
3-3334TR	549	683	771	<a href="#">293</a>
3-3335	666	864	999	<a href="#">292</a>
3-3336	960	1,251	1,444	<a href="#">292</a>
3-340	642	863	1,035	<a href="#">388</a>
3-342	704	951	906	<a href="#">383</a>
3-343	210	293	353	<a href="#">100</a>
3-344	397	556	666	<a href="#">389</a>
3-345	520	650	775	<a href="#">384</a>
3-346	369	516	615	<a href="#">384</a>
3-347	455	625	750	<a href="#">384</a>
3-348	455	565	625	<a href="#">383</a>
3-356	641	897	1,073	<a href="#">384</a>
3-360	369	515	616	<a href="#">385</a>
3-366	641	864	823	<a href="#">379</a>
3-368	237	311	358	<a href="#">351</a>
3-370	580	752	866	<a href="#">389</a>
3-373	237	311	358	<a href="#">351</a>
3-374	237	311	358	<a href="#">351</a>
3-378	237	311	358	<a href="#">351</a>
3-379	237	311	358	<a href="#">351</a>
3-380	200	268	312	<a href="#">384</a>
3-381	209	289	314	<a href="#">387</a>
3-383	246	334	381	<a href="#">345</a>
3-384	469	637	731	<a href="#">384</a>
3-385	555	750	714	<a href="#">390</a>
3-386	478	648	617	<a href="#">387</a>
3-387	237	321	369	<a href="#">390</a>
3-401	328	442	421	<a href="#">389</a>
3-402	480	648	617	<a href="#">387</a>
3-403	547	739	704	<a href="#">387</a>
3-406	240	326	310	<a href="#">387</a>

PART	I	II	III	PAGE
3-407	246	334	381	<a href="#">345</a>
3-415	110	147	168	<a href="#">379</a>
3-416	158	212	244	<a href="#">379</a>
3-417	142	186	212	<a href="#">379</a>
3-418	338	460	438	<a href="#">389</a>
3-419	246	334	381	<a href="#">345</a>
3-420	524	708	674	<a href="#">389</a>
3-427	303	412	470	<a href="#">345</a>
3-432	854	1,154	1,324	<a href="#">386</a>
3-433	891	1,202	1,202	<a href="#">386</a>
3-434	600	810	930	<a href="#">389</a>
3-435	329	468	501	<a href="#">387</a>
3-436	604	817	936	<a href="#">388</a>
3-443	225	303	289	<a href="#">379</a>
3-447	384	500	579	<a href="#">351</a>
3-463	307	415	395	<a href="#">379</a>
3-480	198	268	255	<a href="#">379</a>
3-539	597	805	767	<a href="#">388</a>
3-549	238	324	368	<a href="#">351</a>
3-561	264	355	408	<a href="#">351</a>
3-570	294	389	443	<a href="#">352</a>
3-571	198	268	255	<a href="#">379</a>
3-573	228	308	355	<a href="#">352</a>
3-574	373	502	478	<a href="#">385</a>
3-575	228	308	355	<a href="#">352</a>
3-577	237	311	358	<a href="#">352</a>
3-578	353	476	453	<a href="#">385</a>
3-579	431	579	551	<a href="#">387</a>
3-580	263	337	389	<a href="#">352</a>
3-581	263	337	389	<a href="#">352</a>
3-582	845	1,141	1,087	<a href="#">387</a>
3-583	342	446	512	<a href="#">345</a>
3-590	288	389	370	<a href="#">379</a>
3-592	211	287	273	<a href="#">379</a>
3-593	230	312	381	<a href="#">352</a>
3-594	228	308	355	<a href="#">352</a>
3-595	210	293	353	<a href="#">353</a>
3-597	263	354	337	<a href="#">379</a>
3-608	228	308	356	<a href="#">353</a>
3-609	246	334	381	<a href="#">353</a>
3-611	564	761	725	<a href="#">387</a>
3-612	320	434	413	<a href="#">389</a>
3-613	257	348	331	<a href="#">390</a>
3-614	303	412	470	<a href="#">345</a>
3-615	303	412	470	<a href="#">345</a>
3-632	415	561	534	<a href="#">388</a>
3-633	415	561	534	<a href="#">385</a>
3-634	415	561	534	<a href="#">386</a>
3-635	466	630	600	<a href="#">388</a>
3-636	466	630	600	<a href="#">385</a>
3-637	466	630	600	<a href="#">386</a>
3-638	374	505	481	<a href="#">388</a>
3-639	374	505	481	<a href="#">385</a>
3-640	374	505	481	<a href="#">386</a>
3-641	363	491	564	<a href="#">346</a>
3-642	363	491	564	<a href="#">346</a>
3-643	363	491	564	<a href="#">346</a>
3-644	241	338	421	<a href="#">353</a>
3-645	241	338	421	<a href="#">353</a>
3-646	241	338	421	<a href="#">353</a>



## NUMERICAL PARTS INDEX

PART	I	II	III	PAGE
3-647	241	338	421	<a href="#">353</a>
3-648	241	338	421	<a href="#">353</a>
3-649	241	338	421	<a href="#">354</a>
3-667	314	394	425	<a href="#">346</a>
3-668	246	334	381	<a href="#">346</a>
3-669	246	334	381	<a href="#">346</a>
3-671	267	402	479	<a href="#">341</a>
3-672	267	402	479	<a href="#">341</a>
3-691	363	491	468	<a href="#">388</a>
3-692	241	338	421	<a href="#">354</a>
3-693	241	338	421	<a href="#">354</a>
3-694	374	505	481	<a href="#">388</a>
3-695	291	393	452	<a href="#">346</a>
3-696	466	630	600	<a href="#">388</a>
3-721	213	298	373	<a href="#">354</a>
3-722	213	298	373	<a href="#">354</a>
3-724	300	384	426	<a href="#">346</a>
3-727	213	298	373	<a href="#">354</a>
3-729	300	384	426	<a href="#">347</a>
3-744	466	652	621	<a href="#">386</a>
3-803TR	587	789	905	<a href="#">253</a>
3-804TR	480	624	719	<a href="#">254</a>
3-855	761	990	1,142	<a href="#">252</a>
3-856C	960	1,279	1,440	<a href="#">253</a>
3-857C	1,319	1,718	1,975	<a href="#">253</a>
3-873TR	587	789	905	<a href="#">81</a>
3-874TR	503	653	754	<a href="#">81</a>
3-896	1,036	1,350	1,559	<a href="#">85</a>
3-897	1,398	1,818	2,097	<a href="#">85</a>
3-911	707	989	1,187	<a href="#">96</a>
3-912BP	875	1,134	1,309	<a href="#">96</a>
3-913TR	587	789	905	<a href="#">99</a>
3-913TS	628	834	960	<a href="#">99</a>
3-914BP	666	863	998	<a href="#">96</a>
3-914TR	480	624	719	<a href="#">99</a>
3-915	761	990	1,142	<a href="#">97</a>
3-916	1,036	1,350	1,559	<a href="#">97</a>
3-917	1,398	1,818	2,097	<a href="#">97</a>
3-921	707	989	1,187	<a href="#">96</a>
3-922BP	875	1,134	1,309	<a href="#">96</a>
3-923TR	587	789	905	<a href="#">99</a>
3-923TS	628	834	960	<a href="#">99</a>
3-924BP	666	863	998	<a href="#">97</a>
3-924TR	480	624	719	<a href="#">100</a>
3-925	761	990	1,142	<a href="#">97</a>
3-926	1,036	1,350	1,559	<a href="#">97</a>
3-927	1,398	1,818	2,097	<a href="#">98</a>
3-930I	697	1,112	1,334	<a href="#">118</a>
3-930IL	697	1,112	1,334	<a href="#">118</a>
3-936	1,036	1,350	1,559	<a href="#">119</a>
3-937	1,398	1,818	2,097	<a href="#">120</a>
3-944	697	1,112	1,334	<a href="#">118</a>
3-944L	697	1,112	1,334	<a href="#">118</a>
3-947	798	1,078	1,238	<a href="#">156</a>
3-984BP	783	1,016	1,176	<a href="#">90</a>
3-985	719	933	1,078	<a href="#">91</a>
3-991	761	990	1,142	<a href="#">138</a>
3-991L	761	990	1,142	<a href="#">139</a>
3-992BP	942	1,227	1,415	<a href="#">139</a>
3-993TR	628	834	960	<a href="#">142</a>

PART	I	II	III	PAGE
3-993TS	649	868	996	<a href="#">143</a>
3-994BP	705	914	1,057	<a href="#">139</a>
3-994LBP	705	914	1,057	<a href="#">140</a>
3-994LTR	480	624	719	<a href="#">143</a>
3-994TR	480	624	719	<a href="#">143</a>
3-995	761	990	1,142	<a href="#">140</a>
3-995L	761	990	1,142	<a href="#">140</a>
3-996	1,117	1,452	1,679	<a href="#">141</a>
3-996L	1,117	1,452	1,679	<a href="#">141</a>
3-997	1,504	1,954	2,252	<a href="#">141</a>
3-997L	1,504	1,954	2,252	<a href="#">141</a>
30XX	6	NA	NA	<a href="#">467</a>
300	186	242	261	<a href="#">368</a>
3001	171	205		<a href="#">413</a>
3002	186	220		<a href="#">413</a>
3003	198	233		<a href="#">413</a>
3005	154	186		<a href="#">414</a>
3006	118	140		<a href="#">413</a>
3008	198	233		<a href="#">413</a>
301	160	208	240	<a href="#">368</a>
301-2	336	462	524	<a href="#">368</a>
3010	95	105		<a href="#">413</a>
3011T	140	153		<a href="#">413</a>
3013	226	281	324	<a href="#">368</a>
3013-1	314	391	446	<a href="#">368</a>
3014	208	261	303	<a href="#">368</a>
3014-1	314	391	446	<a href="#">368</a>
3016	369	517	583	<a href="#">368</a>
3018-24TSCL	113	NA	NA	<a href="#">467</a>
3018T-24	257	308		<a href="#">414</a>
3022-24	306	367		<a href="#">413</a>
30225	34	48	56	<a href="#">390</a>
3027	279	332		<a href="#">413</a>
3027G	77	NA	NA	<a href="#">467</a>
30358	39	54	51	<a href="#">389</a>
3041	679	767		<a href="#">414</a>
3100	1,052	1,421	1,631	<a href="#">240</a>
3103	894	1,205	1,383	<a href="#">240</a>
3109	1,437	1,867	2,147	<a href="#">242</a>
3110	942	1,276	1,517	<a href="#">240</a>
3120	1,052	1,421	1,631	<a href="#">193</a>
3130	942	1,276	1,517	<a href="#">193</a>
314	54	66	77	<a href="#">369</a>
3140	1,171	1,581	1,788	<a href="#">199</a>
3150	1,171	1,581	1,788	<a href="#">199</a>
3160-5103	1,242	1,499	1,730	<a href="#">59</a>
3160-5203	1,161	1,398	1,629	<a href="#">59</a>
3160-5503	1,227	1,509	1,740	<a href="#">59</a>
3160-5603	713	864	986	<a href="#">59</a>
3160-5613	628	793	916	<a href="#">59</a>
3160-5623	511	647	746	<a href="#">59</a>
3160-5721	295	382	437	<a href="#">60</a>
3160-5811	282	382	437	<a href="#">60</a>
3170-5103	1,242	1,499	1,730	<a href="#">22</a>
3170-5203	1,161	1,398	1,629	<a href="#">22</a>
3170-5503	1,227	1,509	1,740	<a href="#">22</a>
3170-5603	713	864	986	<a href="#">22</a>
3170-5613	628	793	916	<a href="#">22</a>
3170-5623	511	647	746	<a href="#">22</a>
3170-5721	295	382	437	<a href="#">23</a>

PART	I	II	III	PAGE
3170-5811	282	382	437	<a href="#">23</a>
3180-5113	1,242	1,499	1,730	<a href="#">51</a>
3180-5223	1,161	1,398	1,629	<a href="#">51</a>
3180-5503	1,227	1,509	1,740	<a href="#">51</a>
3180-5603	713	864	986	<a href="#">51</a>
3180-5613	628	793	916	<a href="#">51</a>
3180-5623	511	647	746	<a href="#">51</a>
3180-5711	146	191	227	<a href="#">52</a>
3180-5721	295	382	437	<a href="#">52</a>
3190-5113	1,242	1,499	1,730	<a href="#">39</a>
3190-5223	1,161	1,398	1,629	<a href="#">39</a>
3190-5503	1,227	1,509	1,740	<a href="#">39</a>
3190-5603	713	864	986	<a href="#">39</a>
3190-5613	628	793	916	<a href="#">39</a>
3190-5623	511	647	746	<a href="#">39</a>
3190-5721	295	382	437	<a href="#">40</a>
3190-5811	282	382	437	<a href="#">40</a>
3200-5113	1,242	1,499	1,730	<a href="#">44</a>
3200-5223	1,161	1,398	1,629	<a href="#">44</a>
3200-5503	1,227	1,509	1,740	<a href="#">44</a>
3200-5603	713	864	986	<a href="#">44</a>
3200-5613	628	793	916	<a href="#">44</a>
3200-5623	511	647	746	<a href="#">44</a>
3200-5721	295	382	437	<a href="#">45</a>
3200-5811	282	382	437	<a href="#">45</a>
321	116	160	176	<a href="#">369</a>
3210-5103	1,242	1,499	1,730	<a href="#">37</a>
3210-5203	1,161	1,398	1,629	<a href="#">37</a>
3210-5503	1,227	1,509	1,740	<a href="#">37</a>
3210-5603	713	864	986	<a href="#">37</a>
3210-5613	628	793	916	<a href="#">37</a>
3210-5623	511	647	746	<a href="#">37</a>
3210-5721	295	382	437	<a href="#">38</a>
3210-5811	282	382	437	<a href="#">38</a>
3211	116	160	176	<a href="#">369</a>
3212	183	221	253	<a href="#">369</a>
3213	183	221	253	<a href="#">369</a>
3230	1,132	1,584	1,867	<a href="#">234</a>
3230-1230	298	357	447	<a href="#">238</a>
3230-1250	331	400	499	<a href="#">238</a>
3230-1410	227	273	340	<a href="#">238</a>
3230-1510	225	271	305	<a href="#">238</a>
3230-1530	309	374	436	<a href="#">238</a>
3230-1650	185	250	313	<a href="#">238</a>
3230-1660	210	276	337	<a href="#">238</a>
3239	1,945	2,721	2,994	<a href="#">236</a>
324	227	303	347	<a href="#">369</a>
3240	1,132	1,584	1,867	<a href="#">234</a>
3249	1,945	2,721	2,994	<a href="#">236</a>
325	158	215	245	<a href="#">369</a>
3250	1,153	1,584	1,867	<a href="#">126</a>
3250-1230	298	357	447	<a href="#">130</a>
3250-1250	331	400	499	<a href="#">130</a>
3250-1410	227	273	340	<a href="#">130</a>
3250-1510	225	271	305	<a href="#">130</a>
3250-1530	309	374	436	<a href="#">130</a>
3250-1650	185	250	313	<a href="#">130</a>
3250-1660	210	276	337	<a href="#">130</a>
3251	53			<a href="#">369</a>
3259	1,945	2,721	2,994	<a href="#">128</a>

## NUMERICAL PARTS INDEX

PART	I	II	III	PAGE
326	218	284	327	<a href="#">369</a>
3260	1,153	1,584	1,867	<a href="#">126</a>
3269	1,945	2,721	2,994	<a href="#">128</a>
327	91	109	121	<a href="#">370</a>
3270	1,132	1,584	1,867	<a href="#">162</a>
3270-1230	298	357	447	<a href="#">166</a>
3270-1250	331	400	499	<a href="#">166</a>
3270-1410	227	273	340	<a href="#">166</a>
3270-1510	225	271	305	<a href="#">166</a>
3270-1530	309	374	436	<a href="#">166</a>
3270-1650	185	250	313	<a href="#">166</a>
3270-1660	210	276	337	<a href="#">166</a>
3279	1,945	2,721	2,994	<a href="#">164</a>
328	105	132	146	<a href="#">370</a>
3280	1,132	1,584	1,867	<a href="#">162</a>
3289	1,945	2,721	2,994	<a href="#">164</a>
3290	1,132	1,584	1,867	<a href="#">228</a>
3290-1230	298	357	447	<a href="#">232</a>
3290-1250	331	400	499	<a href="#">232</a>
3290-1400	321	384	458	<a href="#">232</a>
3290-1500	262	316	375	<a href="#">232</a>
3290-1570	222	262	312	<a href="#">233</a>
3290-1650	110	133	166	<a href="#">232</a>
3290-1660	163	193	242	<a href="#">232</a>
3290-5113	1,219	1,472	1,699	<a href="#">48</a>
3290-5143	1,129	1,359	1,568	<a href="#">48</a>
3290-5223	1,161	1,398	1,629	<a href="#">49</a>
3290-5413	2,098	2,638	3,138	<a href="#">48</a>
3290-5463	1,480	1,998	2,297	<a href="#">48</a>
3290-5503	1,227	1,509	1,740	<a href="#">49</a>
3290-5603	713	864	986	<a href="#">49</a>
3290-5613	628	793	916	<a href="#">49</a>
3290-5623	511	647	746	<a href="#">49</a>
3290-5811	282	382	437	<a href="#">49</a>
3299	1,945	2,721	2,994	<a href="#">230</a>
330	144	201	231	<a href="#">369</a>
3300	1,132	1,584	1,867	<a href="#">228</a>
3301	158	215	245	<a href="#">369</a>
3302	193	234	265	<a href="#">369</a>
3303	193	234	265	<a href="#">369</a>
3309	1,945	2,721	2,994	<a href="#">230</a>
3310-5103	1,242	1,499	1,730	<a href="#">53</a>
3310-5203	1,161	1,398	1,629	<a href="#">53</a>
3310-5503	1,227	1,509	1,740	<a href="#">53</a>
3310-5603	713	864	986	<a href="#">53</a>
3310-5613	628	793	916	<a href="#">53</a>
3310-5623	511	647	746	<a href="#">53</a>
3310-5721	295	382	437	<a href="#">54</a>
3320	943	1,320	1,650	<a href="#">290</a>
3320C	1,038	1,452	1,814	<a href="#">290</a>
3329	1,467	2,053	2,465	<a href="#">292</a>
3330	943	1,320	1,650	<a href="#">290</a>
3330C	1,038	1,452	1,814	<a href="#">290</a>
3360	1,132	1,584	1,867	<a href="#">228</a>
3360-5113	1,219	1,472	1,699	<a href="#">48</a>
3360-5413	2,098	2,638	3,138	<a href="#">48</a>
3370	1,132	1,584	1,867	<a href="#">228</a>
3380	943	1,320	1,650	<a href="#">290</a>
3390	943	1,320	1,650	<a href="#">290</a>
34-01	285	373	413	<a href="#">109</a>

PART	I	II	III	PAGE
34-02	304	377	419	<a href="#">109</a>
34-09	208	268	304	<a href="#">109</a>
34-12	155	202	236	<a href="#">109</a>
34-13	183	236	268	<a href="#">110</a>
34-27	187	233	269	<a href="#">110</a>
34-28	268	340	391	<a href="#">110</a>
3400	1,052	1,421	1,631	<a href="#">291</a>
3410	1,052	1,421	1,631	<a href="#">291</a>
35-01	285	373	413	<a href="#">282</a>
35-02	304	377	419	<a href="#">282</a>
35-09	208	268	304	<a href="#">283</a>
35-12	155	202	236	<a href="#">283</a>
35-13	183	236	268	<a href="#">283</a>
35-27	187	237	274	<a href="#">283</a>
35-28	268	340	391	<a href="#">283</a>
36-01	221	265	314	<a href="#">249</a>
36-02	261	312	373	<a href="#">249</a>
36-09	308	369	440	<a href="#">249</a>
36-12	84	104	129	<a href="#">249</a>
36-13	156	181	223	<a href="#">250</a>
36-27	214	252	300	<a href="#">250</a>
36-28	248	311	353	<a href="#">250</a>
3681-G-O	134	172		<a href="#">454</a>
3681-LB	36	43	NA	<a href="#">467</a>
3681-RB	36	42	NA	<a href="#">467</a>
37-02	286	339	466	<a href="#">262</a>
37-09	258	306	401	<a href="#">262</a>
37-12	109	141	169	<a href="#">262</a>
37-28	262	316	390	<a href="#">262</a>
38-02	284	342	452	<a href="#">171</a>
38-09	205	246	273	<a href="#">171</a>
38-12	248	294	329	<a href="#">171</a>
38-27	385	461	509	<a href="#">172</a>
38-28	276	329	401	<a href="#">172</a>
4-1004BP	359	468	542	<a href="#">157</a>
4-1034BP	359	468	542	<a href="#">119</a>
4-1094BP	719	933	1,078	<a href="#">80</a>
4-1204BP	359	468	542	<a href="#">214</a>
4-1224BP	359	468	542	<a href="#">214</a>
4-1234BP	678	882	1,019	<a href="#">214</a>
4-1504BP	400	519	597	<a href="#">140</a>
4-1604BP	480	624	719	<a href="#">221</a>
4-1624BP	480	624	719	<a href="#">222</a>
4-1744BP	638	831	947	<a href="#">112</a>
4-1764BP	480	624	719	<a href="#">303</a>
4-1774BP	480	624	719	<a href="#">303</a>
4-2044BP	520	676	782	<a href="#">259</a>
4-2064BP	520	676	782	<a href="#">259</a>
4-2404BP	455	594	683	<a href="#">105</a>
4-2414BP	455	594	683	<a href="#">106</a>
4-2444BP	455	594	683	<a href="#">279</a>
4-2454BP	455	594	683	<a href="#">279</a>
4-2494BP	500	675	775	<a href="#">187</a>
4-2544BP	707	920	1,062	<a href="#">205</a>
4-2554BP	707	920	1,062	<a href="#">169</a>
4-2574BP	686	894	1,031	<a href="#">182</a>
4-2914BP	502	654	753	<a href="#">297</a>
4-2924BP	501	678	779	<a href="#">273</a>
4-2944BP	438	539	607	<a href="#">285</a>
4-2974BP	751	979	1,129	<a href="#">133</a>

PART	I	II	III	PAGE
4-2984BP	751	979	1,129	<a href="#">133</a>
4-3104BP	513	668	768	<a href="#">241</a>
4-3144BP	667	867	1,002	<a href="#">199</a>
4-3154BP	667	867	1,002	<a href="#">200</a>
4-3234BP	674	942	1,076	<a href="#">235</a>
4-3244BP	674	942	1,076	<a href="#">235</a>
4-3254BP	674	942	1,076	<a href="#">127</a>
4-3264BP	674	942	1,076	<a href="#">127</a>
4-3274BP	674	942	1,076	<a href="#">163</a>
4-3284BP	674	942	1,076	<a href="#">163</a>
4-3294BP	674	942	1,076	<a href="#">229</a>
4-3304BP	674	942	1,076	<a href="#">229</a>
4-3324BP	438	539	607	<a href="#">291</a>
4-3334BP	438	539	607	<a href="#">291</a>
4-854BP	318	413	480	<a href="#">252</a>
4-914BP	359	468	542	<a href="#">96</a>
4-924BP	359	468	542	<a href="#">97</a>
4-984BP	480	624	719	<a href="#">90</a>
4-994BP	400	519	597	<a href="#">140</a>
4-994LBP	400	519	597	<a href="#">140</a>
40-02	250	299	398	<a href="#">299</a>
40-10	204	246	317	<a href="#">299</a>
40-13	233	289	362	<a href="#">299</a>
40-28	233	282	370	<a href="#">300</a>
401	91	109	121	<a href="#">370</a>
401X	116	153	173	<a href="#">370</a>
403	109	131	152	<a href="#">370</a>
403-1	220	299	341	<a href="#">370</a>
403-3	269	329	366	<a href="#">371</a>
403X	130	173	191	<a href="#">370</a>
403X-1	275	325	366	<a href="#">371</a>
403X-2	226	307	350	<a href="#">371</a>
404X	116	153	173	<a href="#">370</a>
40409	192	192		<a href="#">453</a>
41-02	279	335	439	<a href="#">184</a>
41-09	231	279	367	<a href="#">184</a>
41-12	124	152	192	<a href="#">185</a>
41-27	217	260	305	<a href="#">185</a>
41-28	262	316	369	<a href="#">185</a>
412	105	132	142	<a href="#">371</a>
416	138	171	205	<a href="#">371</a>
416X	171	231	258	<a href="#">371</a>
417	138	182	207	<a href="#">371</a>
417X	182	248	284	<a href="#">371</a>
42-01	323	386	418	<a href="#">135</a>
42-02	341	408	437	<a href="#">135</a>
42-09	233	293	314	<a href="#">136</a>
42-12	135	159	199	<a href="#">136</a>
42-13	166	203	230	<a href="#">136</a>
42-27	236	284	323	<a href="#">136</a>
42-28	278	337	395	<a href="#">136</a>
432	61	72	84	<a href="#">372</a>
435	50	66	76	<a href="#">372</a>
436	54	76	81	<a href="#">372</a>
440	35	42	45	<a href="#">372</a>
441	36	44	50	<a href="#">372</a>
442	36	44	50	<a href="#">372</a>
448	65	83	92	<a href="#">372</a>
45XX	19	NA		<a href="#">465</a>
450	55	65	69	<a href="#">372</a>

## NUMERICAL PARTS INDEX

PART	I	II	III	PAGE
4502	258	308		<a href="#">402</a>
4503	284	342		<a href="#">402</a>
4504	290	347		<a href="#">402</a>
4505	205	246		<a href="#">402</a>
4508N	276	329		<a href="#">402</a>
4509	385	461		<a href="#">402</a>
451	55	65	69	<a href="#">373</a>
4511	248	269		<a href="#">402</a>
4521	205	246		<a href="#">402</a>
4522S	353	422		<a href="#">402</a>
4527	353	422		<a href="#">402</a>
4528	422	508		<a href="#">402</a>
4534T-18	306	366		<a href="#">403</a>
4534T-24	330	394		<a href="#">403</a>
4539B	146	175		<a href="#">404</a>
4540-20	643	772		<a href="#">403</a>
4542	665	798		<a href="#">404</a>
4543-20	775	931		<a href="#">403</a>
4543-24	852	1,024		<a href="#">403</a>
4544	710	852		<a href="#">404</a>
455	55	65	69	<a href="#">373</a>
4581	681	819		<a href="#">403</a>
4581-I	651	778		<a href="#">403</a>
4581-G-E	186	195		<a href="#">403</a>
4602	221	265		<a href="#">421</a>
4603	261	312		<a href="#">421</a>
4605	308	369		<a href="#">421</a>
4606	214	252		<a href="#">421</a>
4607	199	237		<a href="#">421</a>
4608	248	311		<a href="#">421</a>
4609	223	281		<a href="#">421</a>
4610	84	95		<a href="#">421</a>
4610D	156	165		<a href="#">421</a>
4610T	221	254		<a href="#">421</a>
4619T-12	408	511		<a href="#">422</a>
4619T-24	439	527		<a href="#">422</a>
4622-24	389	469		<a href="#">421</a>
4627	327	409		<a href="#">421</a>
4634T	300	363		<a href="#">422</a>
4639B	91	110		<a href="#">424</a>
464B	128	155		<a href="#">422</a>
4641N	412			<a href="#">407</a>
4681	466	561		<a href="#">423</a>
4681L	483	580		<a href="#">423</a>
4682	532	638		<a href="#">423</a>
4682L	549	662		<a href="#">423</a>
4702	250	299		<a href="#">400</a>
4703	286	339		<a href="#">400</a>
4705-8	258	306		<a href="#">400</a>
4708N	262	316		<a href="#">400</a>
4710	109	129		<a href="#">400</a>
4722-24	439	519		<a href="#">400</a>
4734T-24	303	364		<a href="#">400</a>
4741	810	966		<a href="#">401</a>
4772	527	725		<a href="#">377</a>
4774	208	285		<a href="#">377</a>
4775	197	281		<a href="#">377</a>
4781	459	529		<a href="#">401</a>
4802	233	289		<a href="#">408</a>
4803	250	299		<a href="#">408</a>

PART	I	II	III	PAGE
4808	233	282		<a href="#">408</a>
4811	233	264		<a href="#">408</a>
4817	263	290		<a href="#">408</a>
482	154	195	226	<a href="#">373</a>
482-1	274	376	433	<a href="#">373</a>
482-3	323	443	510	<a href="#">373</a>
482X	182	248	279	<a href="#">373</a>
482X-1	292	395	450	<a href="#">373</a>
482X-2	292	395	450	<a href="#">373</a>
4821	204	246		<a href="#">408</a>
4827	269	324		<a href="#">408</a>
4839B	146	175		<a href="#">409</a>
490X	366	515	583	<a href="#">374</a>
4902	247	296		<a href="#">394</a>
4903	279	335		<a href="#">394</a>
4905	231	279		<a href="#">394</a>
4906	217	260		<a href="#">394</a>
4908	262	316		<a href="#">394</a>
491	281	391	407	<a href="#">374</a>
491X	361	512	583	<a href="#">374</a>
4910	124	139		<a href="#">394</a>
4917	263	290		<a href="#">394</a>
493	292	439	488	<a href="#">374</a>
493-1	519	717	823	<a href="#">374</a>
493X	329	462	536	<a href="#">374</a>
493X-1	545	732	851	<a href="#">375</a>
4934T-24	296	356		<a href="#">394</a>
495	149	193	247	<a href="#">374</a>
495X	171	248	289	<a href="#">374</a>
499	127	182	194	<a href="#">369</a>
499-1	127	182	194	<a href="#">369</a>
499-2	224	301	343	<a href="#">369</a>
499-3	224	301	343	<a href="#">369</a>
5XXC	6	9	NA	<a href="#">468</a>
5XXF	5	6	NA	<a href="#">468</a>
5XXR	2	NA	NA	<a href="#">468</a>
5-011	37			<a href="#">383</a>
5-036	641			<a href="#">74</a>
5-1002BP	450	586	677	<a href="#">156</a>
5-1032BP	450	586	677	<a href="#">119</a>
5-1092BP	810	1,053	1,215	<a href="#">80</a>
5-1202BP	450	586	677	<a href="#">213</a>
5-1222BP	450	586	677	<a href="#">214</a>
5-1232BP	771	1,004	1,156	<a href="#">214</a>
5-1502BP	492	638	736	<a href="#">139</a>
5-1602BP	569	741	855	<a href="#">221</a>
5-1622BP	569	741	855	<a href="#">221</a>
5-1742BP	731	950	1,095	<a href="#">112</a>
5-1762BP	569	741	855	<a href="#">302</a>
5-1772BP	569	741	855	<a href="#">302</a>
5-2042BP	611	794	916	<a href="#">259</a>
5-2062BP	611	794	916	<a href="#">259</a>
5-2402BP	547	712	821	<a href="#">105</a>
5-2412BP	547	712	821	<a href="#">105</a>
5-2442BP	547	712	821	<a href="#">278</a>
5-2452BP	547	712	821	<a href="#">278</a>
5-2492BP	593	770	887	<a href="#">187</a>
5-2542BP	797	1,037	1,197	<a href="#">205</a>
5-2552BP	797	1,037	1,197	<a href="#">168</a>
5-2572BP	774	1,008	1,161	<a href="#">182</a>

PART	I	II	III	PAGE
5-2912BP	593	771	885	<a href="#">297</a>
5-2922BP	597	806	930	<a href="#">273</a>
5-2942BP	522	543	627	<a href="#">285</a>
5-2972BP	774	1,008	1,161	<a href="#">132</a>
5-2982BP	774	1,008	1,161	<a href="#">132</a>
5-3102BP	602	784	902	<a href="#">241</a>
5-3142BP	751	979	1,129	<a href="#">199</a>
5-3152BP	751	979	1,129	<a href="#">199</a>
5-3232BP	759	1,062	1,191	<a href="#">234</a>
5-3242BP	759	1,062	1,191	<a href="#">234</a>
5-3252BP	759	1,062	1,191	<a href="#">126</a>
5-3262BP	759	1,062	1,191	<a href="#">126</a>
5-3272BP	759	1,062	1,191	<a href="#">162</a>
5-3282BP	759	1,062	1,191	<a href="#">162</a>
5-3292BP	759	1,062	1,191	<a href="#">229</a>
5-3302BP	759	1,062	1,191	<a href="#">229</a>
5-3322BP	522	543	627	<a href="#">291</a>
5-3332BP	522	543	627	<a href="#">291</a>
5-852BP	410	532	613	<a href="#">252</a>
5-912BP	450	586	677	<a href="#">96</a>
5-922BP	450	586	677	<a href="#">96</a>
5-982BP	569	741	855	<a href="#">90</a>
5-992BP	492	638	736	<a href="#">139</a>
5-992LBP	492	638	736	<a href="#">139</a>
500	99	155	179	<a href="#">361</a>
501	184	252		<a href="#">445</a>
503	293	414		<a href="#">445</a>
503L	329	423		<a href="#">445</a>
504L	357	432		<a href="#">443</a>
505L	357	432		<a href="#">444</a>
50648	180			<a href="#">379</a>
5080	140	206	230	<a href="#">88</a>
5080SQ	181	215	250	<a href="#">250</a>
5081	166	233	293	<a href="#">88</a>
5081SQ	221	297	350	<a href="#">250</a>
5082	187	260	285	<a href="#">88</a>
5082SQ	244	299	365	<a href="#">250</a>
5083	224	301	347	<a href="#">88</a>
5083SQ	283	340	402	<a href="#">250</a>
5085	330	410	485	<a href="#">88</a>
5085SQ	369	462	533	<a href="#">250</a>
50931	27			<a href="#">77</a>
516-10	141	188	228	<a href="#">332</a>
516-12	200	271	322	<a href="#">332</a>
516-18	200	271	322	<a href="#">332</a>
516-2	141	188	228	<a href="#">332</a>
516-24	247	335	404	<a href="#">332</a>
516-30	247	335	404	<a href="#">332</a>
516-36	311	419	501	<a href="#">332</a>
516-4	141	188	228	<a href="#">332</a>
516-42	311	419	501	<a href="#">332</a>
516-6	141	188	228	<a href="#">332</a>
516-8	141	188	228	<a href="#">332</a>
517-10	128	170	204	<a href="#">332</a>
517-12	172	235	279	<a href="#">332</a>
517-18	172	235	279	<a href="#">332</a>
517-2	128	170	204	<a href="#">332</a>
517-24	212	284	341	<a href="#">332</a>
517-30	212	284	341	<a href="#">332</a>
517-36	261	355	425	<a href="#">332</a>

## NUMERICAL PARTS INDEX

PART	I	II	III	PAGE
517-4	128	170	204	<a href="#">332</a>
517-42	261	355	425	<a href="#">332</a>
517-6	128	170	204	<a href="#">332</a>
517-8	128	170	204	<a href="#">332</a>
5202	217	260		<a href="#">426</a>
5203	255	306		<a href="#">426</a>
5205	152	183		<a href="#">426</a>
5206	207	248		<a href="#">426</a>
5208	242	305		<a href="#">426</a>
5210	76	82		<a href="#">426</a>
5210T	206	227		<a href="#">426</a>
5217	253	278		<a href="#">426</a>
5227	313	393		<a href="#">426</a>
5234T-24	289	355		<a href="#">426</a>
5239B	146	175		<a href="#">428</a>
524B	124	148		<a href="#">427</a>
5302	214	255		<a href="#">405</a>
5303	251	300		<a href="#">405</a>
5305	296	357		<a href="#">405</a>
5306	204	244		<a href="#">405</a>
5308	237	299		<a href="#">405</a>
5309	216	269		<a href="#">405</a>
5310	74	81		<a href="#">405</a>
5310D	151	158		<a href="#">405</a>
5327	313	393		<a href="#">405</a>
5381	447	539		<a href="#">406</a>
5402	285	373		<a href="#">415</a>
5403	304	377		<a href="#">415</a>
5405	208	268		<a href="#">415</a>
5406	187	233		<a href="#">415</a>
5408	268	340		<a href="#">415</a>
5410	155	185		<a href="#">415</a>
5411	183	215		<a href="#">415</a>
5434T-18	306	368		<a href="#">416</a>
5439B	146	175		<a href="#">417</a>
544B	137	164		<a href="#">416</a>
5442	663	746		<a href="#">417</a>
55CC	9	11	NA	<a href="#">467</a>
550G	81	98		<a href="#">419</a>
551DG	113	139		<a href="#">419</a>
551G	102	124		<a href="#">419</a>
552G	195	233		<a href="#">419</a>
553DG	101	119		<a href="#">419</a>
553G	99	115		<a href="#">419</a>
554DG	155	184		<a href="#">419</a>
554G	135	160		<a href="#">419</a>
5602	285	373		<a href="#">432</a>
5603	304	377		<a href="#">432</a>
5605	208	268		<a href="#">432</a>
5606	187	237		<a href="#">432</a>
5608	268	340		<a href="#">432</a>
5610	155	185		<a href="#">432</a>
5611	183	215		<a href="#">432</a>
5635T-18	477	570		<a href="#">433</a>
5639B	146	175		<a href="#">434</a>
564B	137	164		<a href="#">433</a>
5642	663	777		<a href="#">434</a>
599	45	66		<a href="#">446</a>
6XXA	11	NA	NA	<a href="#">466</a>
6XXB	9	NA	NA	<a href="#">465</a>

PART	I	II	III	PAGE
6-027	184	216	228	<a href="#">68</a>
6-028	184	216	228	<a href="#">68</a>
6-505	115	139	155	<a href="#">361</a>
600A	49	68	NA	<a href="#">466</a>
600B	38	45	NA	<a href="#">466</a>
602	213	255		<a href="#">410</a>
603	220	262		<a href="#">410</a>
604	250	299		<a href="#">220</a>
608	255	306		<a href="#">410</a>
609	197	235		<a href="#">410</a>
610	104	111		<a href="#">410</a>
611	125	139		<a href="#">410</a>
621	184	221		<a href="#">410</a>
635T-24	499	599		<a href="#">411</a>
642	774	931		<a href="#">412</a>
682-G-SO	132	132		<a href="#">454</a>
682SO	435	521		<a href="#">454</a>
7-752	46	54	NA	<a href="#">468</a>
8-006	474	569	618	<a href="#">381</a>
8-011	545	644	699	<a href="#">381</a>
8-028	680	818	883	<a href="#">389</a>
8-030	393	482	527	<a href="#">266</a>
8-032	474	569	618	<a href="#">381</a>
8-033	474	569	618	<a href="#">381</a>
8-036	195	233	253	<a href="#">388</a>
8-037	1,046	1,256	1,359	<a href="#">388</a>
8-039	407	548	630	<a href="#">387</a>
8-061	775	898	950	<a href="#">386</a>
8-072	95	125	142	<a href="#">386</a>
8-074	479	576	623	<a href="#">386</a>
8-080	141	191	182	<a href="#">386</a>
8-092	347	469	447	<a href="#">381</a>
8-096	347	469	447	<a href="#">381</a>
8-1.2CPZ	1	NA		<a href="#">465</a>
8-176	34	48	56	<a href="#">383</a>
80030	166	200	215	<a href="#">388</a>
80158	46	61	69	<a href="#">386</a>
808	621	751	876	<a href="#">63</a>
8081	943	1,248	1,450	<a href="#">50</a>
850	878	1,232	1,474	<a href="#">252</a>
850C	878	1,232	1,474	<a href="#">252</a>
890	926	1,252	1,507	<a href="#">84</a>
890-1230	208	253	304	<a href="#">87</a>
890-1250	227	269	324	<a href="#">87</a>
890-1400	192	230	277	<a href="#">87</a>
890-1410	154	185	222	<a href="#">87</a>
890-1500	204	248	297	<a href="#">88</a>
890-1510	192	230	277	<a href="#">88</a>
890-1650	68	83	99	<a href="#">88</a>
890-1660	138	166	199	<a href="#">88</a>
910	860	1,206	1,447	<a href="#">95</a>
910C	995	1,295	1,490	<a href="#">95</a>
910-4273	1,805	2,300	2,795	<a href="#">98</a>
910-4283	1,723	2,214	2,683	<a href="#">98</a>
91082	3			<a href="#">383</a>
91158	3			<a href="#">387</a>
91165	1			<a href="#">465</a>
91231	3			<a href="#">385</a>
91255	3			<a href="#">384</a>
91298	3			<a href="#">390</a>

PART	I	II	III	PAGE
91321	4			<a href="#">379</a>
91362	3			<a href="#">387</a>
91365	3			<a href="#">384</a>
91386	3			<a href="#">384</a>
91460	1			<a href="#">465</a>
91500	2			<a href="#">385</a>
91534	3			<a href="#">379</a>
91544	35			<a href="#">379</a>
91568	3			<a href="#">379</a>
91571	3			<a href="#">385</a>
91661	3			<a href="#">387</a>
920	860	1,206	1,447	<a href="#">95</a>
920C	995	1,295	1,490	<a href="#">95</a>
920-2400	160	218	274	<a href="#">102</a>
920-3942	599	781	944	<a href="#">102</a>
920-4272	1,805	2,300	2,795	<a href="#">98</a>
920-4282	1,723	2,214	2,683	<a href="#">98</a>
92006	1			<a href="#">388</a>
9203	1,023	1,391	1,597	<a href="#">95</a>
92031	1			<a href="#">465</a>
92035	3			<a href="#">379</a>
92075	26	35	33	<a href="#">381</a>
9208	1,117	1,500	1,724	<a href="#">95</a>
92090	4			<a href="#">389</a>
92113	3			<a href="#">382</a>
92141	3			<a href="#">384</a>
92206	3			<a href="#">382</a>
92223	3			<a href="#">380</a>
92231	3			<a href="#">380</a>
92245	3			<a href="#">380</a>
92297	7			<a href="#">379</a>
92308	2	NA	NA	<a href="#">465</a>
92422	1			<a href="#">388</a>
92426	1	NA	NA	<a href="#">469</a>
92437	5	NA	NA	<a href="#">465</a>
92495	1	NA	NA	<a href="#">465</a>
92539	3			<a href="#">380</a>
928	896	1,185	1,376	<a href="#">26</a>
9281	896	1,185	1,376	<a href="#">26</a>
929	1,585	2,217	2,662	<a href="#">99</a>
930	878	1,251	1,505	<a href="#">117</a>
930B	1,023	1,466	1,714	<a href="#">117</a>
930L	878	1,251	1,505	<a href="#">117</a>
930-0442	1,020	1,357	1,626	<a href="#">339</a>
930-0443	1,020	1,357	1,626	<a href="#">339</a>
930-4261	2,276	2,883	3,738	<a href="#">321</a>
932	878	1,251	1,505	<a href="#">117</a>
933	1,515	2,121	2,543	<a href="#">120</a>
934	1,444	2,018	2,424	<a href="#">120</a>
938	943	1,248	1,450	<a href="#">26</a>
940	1,263	1,324	1,589	<a href="#">50</a>
941	1,597	1,673	2,003	<a href="#">50</a>
942	923	1,290	1,550	<a href="#">24</a>
943	1,284	1,791	2,149	<a href="#">24</a>
945	994	1,392	1,674	<a href="#">35</a>
945-1	1,805	2,126	2,552	<a href="#">35</a>
9451	1,049	1,457	1,748	<a href="#">35</a>
9451-1	1,805	2,126	2,552	<a href="#">36</a>
9452-1	1,805	2,126	2,552	<a href="#">24</a>
9453-1	1,805	2,126	2,552	<a href="#">25</a>

## NUMERICAL PARTS INDEX

PART	I	II	III	PAGE
9455	1,318	1,778	2,042	<a href="#">35</a>
9456	1,973	2,621	3,061	<a href="#">35</a>
9457	1,318	1,778	2,042	<a href="#">25</a>
9458	1,973	2,621	3,061	<a href="#">25</a>
9459	1,973	2,621	3,061	<a href="#">25</a>
946	1,284	1,791	2,149	<a href="#">35</a>
9460	1,973	2,621	3,061	<a href="#">25</a>
9461	941	1,320	1,584	<a href="#">25</a>
9462	1,709	2,014	2,415	<a href="#">25</a>
9463	1,318	1,778	2,042	<a href="#">25</a>
9464	1,318	1,778	2,042	<a href="#">26</a>
9481	1,067	1,469	1,762	<a href="#">66</a>
9482	1,067	1,469	1,762	<a href="#">67</a>
9485	1,067	1,469	1,762	<a href="#">67</a>
972	923	1,290	1,550	<a href="#">24</a>
973	1,284	1,791	2,149	<a href="#">24</a>
980	878	1,233	1,475	<a href="#">90</a>
98000	29			<a href="#">375</a>
989	1,697	2,376	2,853	<a href="#">92</a>
990	1,023	1,434	1,726	<a href="#">138</a>
990L	1,023	1,434	1,726	<a href="#">138</a>
990-0442	1,020	1,357	1,626	<a href="#">339</a>
990-0443	1,020	1,357	1,626	<a href="#">339</a>
990-1200	128	155	224	<a href="#">145</a>
990-1230	170	202	293	<a href="#">145</a>
990-1250	179	216	306	<a href="#">145</a>
990-1500	182	217	314	<a href="#">146</a>
990-1570	114	139	201	<a href="#">145</a>
990-1650	67	83	120	<a href="#">145</a>
990-1660	89	106	154	<a href="#">145</a>
990-2400	160	218	274	<a href="#">146</a>
990-3942	599	781	944	<a href="#">146</a>
9901	1,219	1,645	1,972	<a href="#">29</a>
9901L	1,219	1,645	1,972	<a href="#">29</a>
9911	1,576	2,126	2,552	<a href="#">29</a>
9911L	1,576	2,126	2,552	<a href="#">29</a>
999L	1,601	2,246	2,696	<a href="#">142</a>
ABI1877A	72			<a href="#">379</a>
CHELPAC	94	NA	NA	<a href="#">465</a>
DWVRR	13	13		<a href="#">423</a>
EMPPACA	77	NA	NA	<a href="#">466</a>
G1104	260	312		<a href="#">396</a>
G500	160	207		<a href="#">444</a>
G502	184	252		<a href="#">446</a>
G504	329	365		<a href="#">443</a>
HOTELBASKPAC	59	68	NA	<a href="#">467</a>
HOTELPAC	69	NA	NA	<a href="#">467</a>
MTM-009	88	88		<a href="#">457</a>
SINEPAC-DOUBLE	38	NA	NA	<a href="#">466</a>
SINEPAC-SINGLE	24	NA	NA	<a href="#">466</a>
SPLASHPAC	83	99	NA	<a href="#">468</a>
SSSPAC	32	NA	NA	<a href="#">469</a>
XX14-DSP-FW	83	NA	NA	<a href="#">465</a>
XX14-PMP	97	111	NA	<a href="#">465</a>
XX43-20	306	366		<a href="#">450</a>
XX43-24	326	387		<a href="#">450</a>
XX43S-20	384	463		<a href="#">450</a>
XX43S-24	415	497		<a href="#">450</a>







NEWPORT BRASS®

PRICEBOOK EFFECTIVE APRIL 17, 2023  
2001 Carnegie Ave • Santa Ana, CA 92705  
T: 949.417.5207 F: 949.417.5208

© 2023 Brasstech, Inc. Newport Brass and GINGER  
are registered trademarks of Brasstech, Inc.

GINGER